

## **INSTALLATION INSTRUCTIONS**

---

Please read this manual carefully and follow the instructions for installation.

We guarantee that this product has been checked for proper functioning by our quality control department before shipping.

The In Phase USW 300 can only be installed in motor vehicles which are 12volt.

The positive cable from the battery to the Subwoofer is provided with a main fuse at a distance of 30cm (max) from the battery. (please use the yellow cable supplied)

This product cannot in installed in vehicles using 24V DC.

Before you start installing the product, disconnect the car battery at the negative terminal (observe the safety notes of the vehicle manufacturers and all safety factors such as coded head units).

We would urge you to have the installation work carried out by a specialist for verification of correct and safe installation.

Please install the Subwoofer in a dry location where there is sufficient circulation.

Recommend installation placements are under the seat or in the boot. .

For safety reasons, we would advise that the subwoofer is secured using the brackets and screws supplied.

Before drilling holes for the screws, carefully examine the area around the installation position and make sure that there are no electrical cables or component hydraulic brake line or any part of the petrol tank located behind the mounting surface.

---

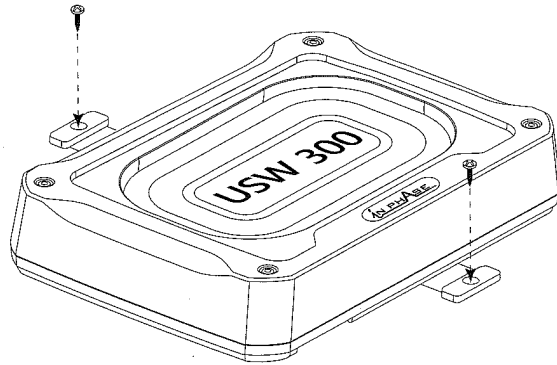
## TERMINOLOGY

---

Phase Button	The Phase button is located on the hand held remote control of the USW 300 Subwoofer can switch the phase setting 180°. This effectively reverses audio signal from positive to negative or vice versa. Try pressing the Phase Button to improve the audio quality.
Crossover Frequency	The Crossover dial adjusts the audible frequency of the subwoofer. Choosing a low setting (50Hz) will allow the subwoofer to sound/emit low bass frequencies whilst letting the mid/high range speakers handle any frequency above the chosen setting.
Gain	Gain control is the sensitivity adjustment of the input into the USW 300, this is not a volume control. Setting this too high will mean the USW 300 is loud at low volume setting and will distort when increasing the volume. It is recommended that is not setting is $\frac{1}{2}$ - $\frac{3}{4}$ the way.

## INSTALLATION

---



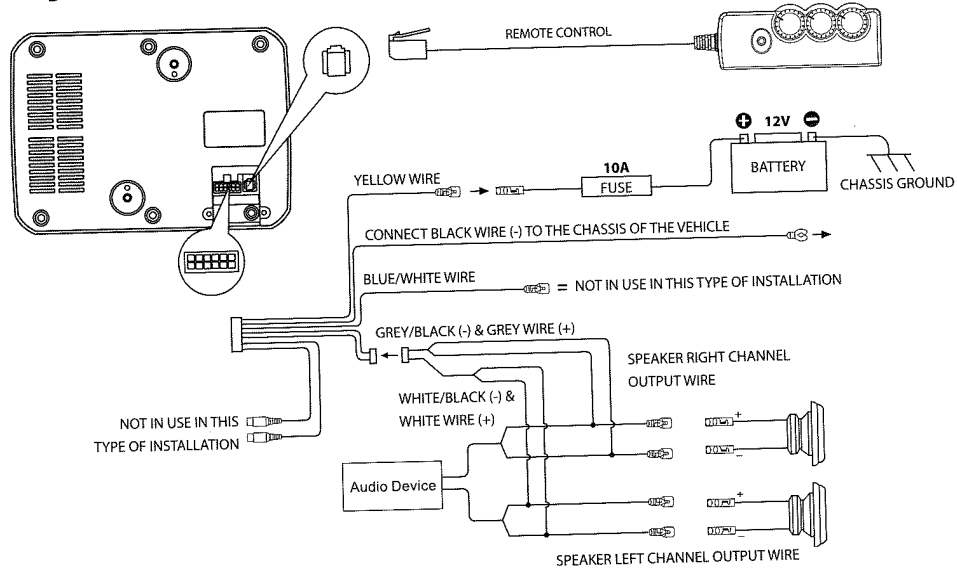
### MOUNTING:

1. You can mount your USW 300 in any location as long as it is well ventilated, we recommend you install under seats or in the boot.
2. Once the location has been determined, place the subwoofer into position with the mounting brackets attached. Using a felt tip pen or pencil mark the two holes to be drilled for mounting. DO NOT use the subwoofer as a template for drilling. It is very easy to damage the subwoofer enclosure surface in this manner.
3. Remove subwoofer. Drill two 3.0mm holes into mounting surface. If you want to mount the subwoofer onto MDF or wood panel, drill four 2.5mm diameter holes into mounting surface.
4. If possible, test the system to ensure it is operating correctly before final mounting of the subwoofer.
5. Mount the subwoofer using the supplied 2 self tapping screws.

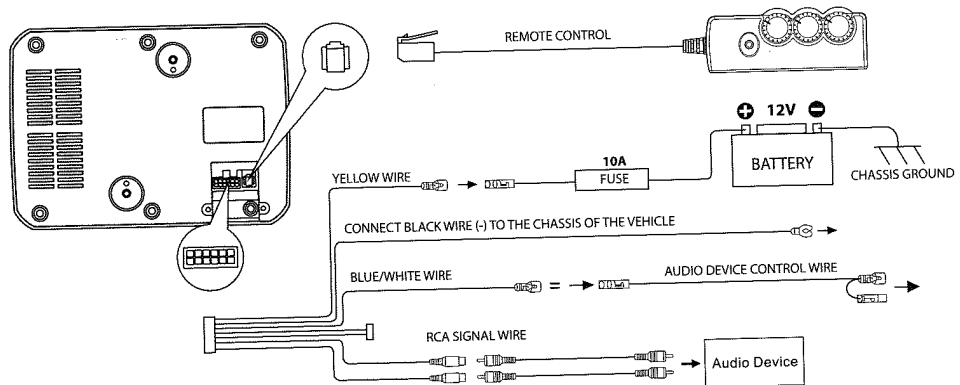
## WIRING DIAGRAM

Select either **Diagram 1** or **Diagram 2** for installation. Avoid audio interference by using one audio inputs only.

**Diagram 1 (High Level Input)**

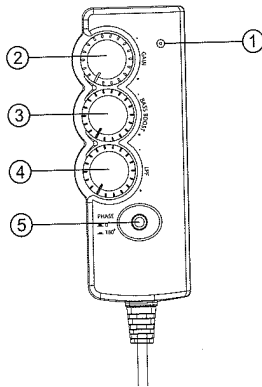


**Diagram 2 (Low Level Input)**



## REMOTE CONTROL

- ① POWER INDICATOR
- ② GAIN ADJUSTMENT
- ③ BASS BOOST
- ④ LPF
- ⑤ PHASE SELECTOR



1. After the installation is complete you need to now set up the USW 300. Turn the Gain control (2) to minimum, set the Phase selector (5) to NORM, set LPF (4) half way and the Bass Boost (3) to minimum. When you are ready we recommend that you turn the volume of your radio to normal listening levels and adjust the settings as required using the advice below.

2. Bass/treble of head unit set to zero, setting volume to standard level is easy for use.

3. When you adjust the GAIN control, you are increasing/decreasing the input sensitivity of the USW 300 input which means you will have more or less output from the USW 300 at lower volume setting. Setting the GAIN control too high will result in distortion at high volume levels. We recommend to start you set this half way and adjust for your listening levels. If you hear the USW 300 distort please turn the GAIN down as this could cause damage and affect your warranty.

4. The low pass frequency is adjustable, the lower the frequency setting will result in less kick from the USW 300 and the higher the setting will result in less low bass. This adjustment is set by your personal preference. You can set this at any level you like.

5. Once you are happy with the sound you can try the Phase adjustment to improve the sound, you can set this to NORM or REV. This is set by your personal preference.

## TECHNICAL SPECIFICATION

---

Maximum power output	300W Max
Continuous power output	150W RMS
Frequency response	20Hz-150Hz
Cut-Off frequency	40Hz-150Hz
Signal to Noise Ratio	91dB
Phase	0-180°
Input sensitivity/ Impedance	
LINE-IN	50mV /22k
Speaker Input range	0.8V
Operating DC Voltage	11V-16V
Maximum current consumption	8.5A
Sensitivity (dB/2.83v. 1m)	110dB (in car)
Size	280 x200x75mm
Weight (net)	3.7kg

The USW 300 has a 1 year manufacturer's warranty, we offer an additional second-year warranty free of charge on top of the standard 1year warranty. You must register your USW 300 to qualify within 30days of purchase at our website [www.inphaseaudio.co.uk](http://www.inphaseaudio.co.uk)