

Introduction and Features

The RP4-HD11 interface allows the replacement of a factory radio in select Honda vehicles with MSCAN databus radios. Using this interface will retain factory features, such as steering wheel controls (SWC), the factory amplifier, and the ability to set the factory clock when the original radio is removed. Use of this interface also allows you to program two radio functions to each SWC button by using short press long, press dual command functionality. The RP4-HD11 also provides data bus driven outputs, such as accessory power, vehicle speed sensor (VSS), illumination, reverse trigger, and parking brake.

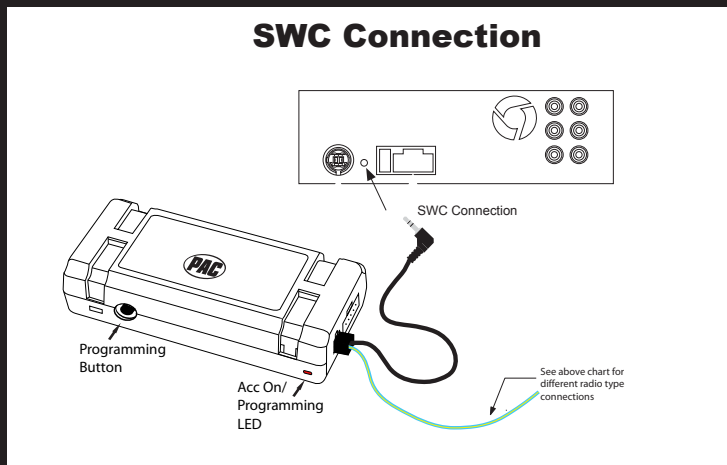
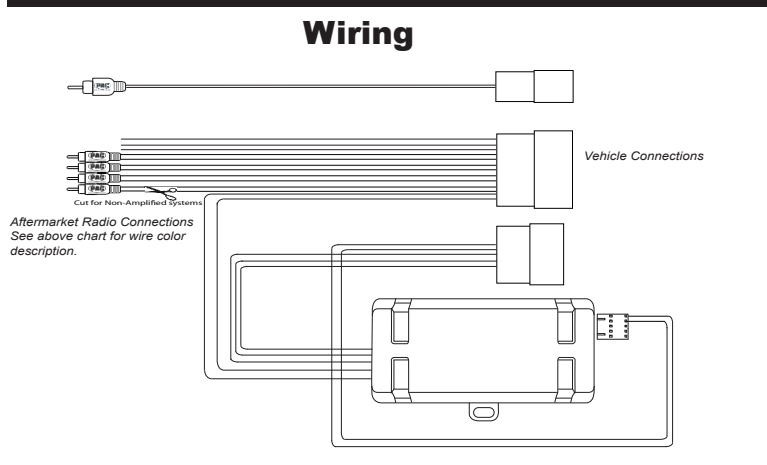
Important Notes

1. These instructions apply to R.1.5.1.4 or later revisions. The revision info can be found on a small white sticker on the interface and packaging.
2. The radio select rotary switch, on the side of the interface, must be adjusted to the proper radio setting before plugging the interface into the vehicle (see next page for setting chart).
3. The interface comes pre-programmed for all of the vehicles factory SWC functions and does not require programming, unless you wish to re-assign the SWC functions, or utilize short press long press dual command functionality. The SWC can always be restored to default settings by pressing and releasing the program button on the side of the interface once, and waiting 7 seconds for the LED to flash 4 times.
4. Vehicles equipped with factory navigation must follow the installation tech brief listed at www.pac-audio.com under the RP4-HD11 product page.
5. **Vehicles equipped with a 7" touchscreen:** Once the factory head unit has been removed, you will no longer be able to set the clock or date on the factory display, as this is derived from the factory head unit. The date on the screen can be permanently removed by disconnecting the battery to clear the screen's memory. In order to set the clock you will need to disconnect the vehicles battery at 1:00, as this is the time the screen defaults to once it has been reset.
6. The LED will flash whenever a SWC button is pressed.

Wiring Connection Chart

Interface Connector		Vehicle Connector		SWC Connector	
Red / White	Parking Brake Output (-)	Yellow	Battery +12v	Blu/Yel	Kenwood, Newer JVC
Purple / White	Vehicle Speed Output	Black	Ground	3.5mm Jack	Alpine, JVC, Clarion, Fusion, Pioneer, Sony, Boyo, Dual, Lightning Audio, Visteon or Advent
Red	Accessory Output (10 amp)	Orange	Dimmer		
Orange / White	Illumination Output (+)	Orange/White	Illumination		
Green	Reverse Output (+)	White	Front L + input		
White/Green	SWC Analog Input	White / Black	Front L - input		
		Gray	Front R + input		
		Gray / Black	Front R - input		
		Green	Rear L + input		
		Green / Black	Rear L - input		
		Purple	Rear R + input		
		Purple / Black	Rear R - input		

Illustration / Schematic



Installation Steps

SET RADIO SELECT SWITCH



Alpine	JVC	Kenwood / Lightning Audio	Clarion / Nakamichi	Pioneer / Other*	Sony	Fusion
1	2	3	4	7	8	9

*Other - Dual / Axxera, Jensen, Rockford Fosgate

IMPORTANT! If you wish to use the Voice, Answer, and End buttons, you must hardwire them into the RP4-HD11. The wire you need to connect into, can be found by removing the plastic panels surrounding the steering wheel column, and accessing the connector which houses the wire (Fig. 1). Once you have located the connector, you must connect into the wire located in pin 3 (Fig. 2). Wire colors are normally Blue in the Civic, and Yellow in the CRV, but may vary by vehicle. Connect to the RP4-HD11 interface connector, as shown in Fig. 3.

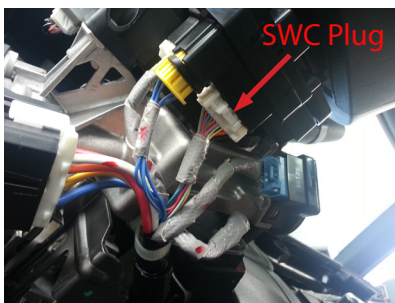


Fig. 1

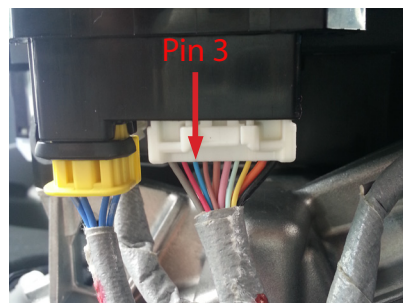


Fig. 2

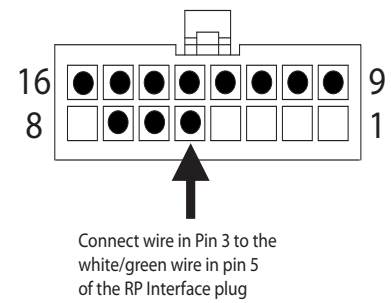


Fig. 3

1. The radio select rotary switch, on the side of the interface, must be adjusted to the proper radio setting before plugging the interface into the vehicle.
2. Make all connections as described in the chart on page 1. **If there is a Premium Audio system present:** Connect the RCA inputs to the aftermarket radio's pre-amp output. The audio level will vary, depending on the new radio's pre-amp output voltage (2-4 volts is recommended). **If there is not a Premium Audio system present:** Cut off the RCA input connectors, and connect the aftermarket radio's speaker outputs to the remaining wire according to the chart on page 1.
3. If the vehicle is equipped with a factory subwoofer, plug the RCA cables from the 8 pin plug, into the Subwoofer, or Non-Fading output of the aftermarket radio.
4. Connect the SWC wire according to the chart on page 1 (aftermarket radio MUST support a wired remote input).
5. If you wish to reassign functions to the SWC, follow the programming instructions on the next page.

Default Steering Wheel Control Programming

IMPORTANT! The interface comes pre-programmed for all of the vehicles factory SWC functions and does not require programming, unless you wish to re-assign the SWC functions or utilize short press, long press dual command functionality. The SWC can always be restored to default settings by pressing and releasing the program button on the side of the interface once ,and waiting 7 seconds for the LED to flash 4 times.


Default SWC Button Assignments

	Alpine	JVC	Kenwood	Clarion	Pioneer	Sony	Fusion
Volume +	Volume +	Volume +	Volume +	Volume +	Volume +	Volume +	Volume +
Volume -	Volume -	Volume -	Volume -	Volume -	Volume -	Volume -	Volume -
Source	Source	Source	Source	Source	Source	Source	Source
Track +	Track +	Track +	Track +	Search +	Track +	Track +	Track +
Track -	Track -	Track -	Track -	Search -	Track -	Track -	Track -
Voice/Mute	Voice	Voice	Voice	Voice	Voice	Voice	Mute
Phone Answer	Receive	Receive	Off Hook	Send	Answer Call	Answer/End	Audio
Phone End	End	Reject	On Hook	End	End	Reject/Source	Power



Optional Steering Wheel Control Programming

If you wish to re-assign the SWC functions or utilize short press, long press dual command functionality, the interface must be programmed in the specific order shown on the chart below. If you come across a function in the chart that your steering wheel does not have, or you do not want to program, press and release the program button on the side of the interface to skip that function. The LED will flash off, and on, confirming that you have successfully skipped that function and are ready to proceed to the next one.

SET RADIO SELECT SWITCH							
	Alpine	JVC	Kenwood / Lightning Audio	Clarion / Nakamichi	Pioneer / Other*	Sony	Fusion
	1	2	3	4	7	8	9

*Other - Dual / Axxera, Jensen, Rockford Fosgate

PLEASE NOTE: The screen on the dash can not be in the “Vehicle Menu” mode when reprogramming the SWC. If the screen displays “Vehicle Menu”, press the Menu button on the SWC to leave this screen, and ensure you are in the proper mode before proceeding.

- Turn the key to the ignition position.
- Press and release programming button on the side of the interface.
- Within 7 seconds, press the button that is to be learned on the steering wheel. The LED will turn off when the button is pressed.
At this point you have two options:
 - For short press functionality:** Release the button within 1.5 seconds. The LED will turn back on.
 - For long press functionality:** Hold the button until the LED starts blinking. Release the button and the LED will go back to solid.
- If you need to program more buttons, repeat step 3 for each additional audio function on the steering wheel.
- If you come across a function in the chart that your steering wheel does not have, or you do not want to program, press and release the program button on the side of the interface to skip that function.
- Once programming is completed, wait seven seconds. The LED will flash three times, indicating end of programming.
- Test the interface for proper functionality. Whenever a SWC is pressed, the LED on the interface should blink. If any function does not work, repeat the programming steps

Optional Programming Order

	Alpine	JVC	Kenwood	Clarion	Other *	Pioneer	Sony	Fusion
1	Volume +	Volume +	Volume +	Volume +	Volume +	Volume +	Volume +	Volume +
2	Volume -	Volume -	Volume -	Volume -	Volume -	Volume -	Volume -	Volume -
3	Mute	Mute	ATT	Mute	Mute	Mute	Mute	Mute
4	Preset +	Source	Source	Source	Preset +	Preset +	Preset +	Source
5	Preset -	Track +	Play	Search +	Preset -	Preset -	Preset -	Track +
6	Source	Track -	Track +	Search -	Source	Source	Source / End Call	Track -
7	Track +	Band / Disc +	Track -	Band	Track +	Track +	Track +	Audio
8	Track -	Preset / Disc -	Disc / FM +	Send / End	Track -	Track -	Track -	Power
9	Power	Select	Disc / AM -	Send	Band	Band	Band	
10	Enter / Play	Attenuation	Answer	End	Answer **	Phone Menu	Power / End Call	
11	Band / Program	Phone Receive	Voice	Voice	End **	Answer Call	Voice / Answer / End Call	
12	Receive	Phone Reject	On Hook		PTT **	End Call	Voice(Android Auto & Car Play) Answer / End Call ***	
13	End	Voice	Off Hook			Voice		
14	Voice	Power	Mute					
15			Preset +					

* Advent, Boyo, Dual, Lightning Audio, Jensen, Rockford Fosgate & Visteon ** Jensen & Advent ONLY *** XAV-AX100 ONLY



SWC Re-calibration

This section only applies to the Answer, Hang Up and Voice buttons. All of the other buttons are data driven and will never require re-calibration.

SWC re-calibration is necessary when the SWC operation is erratic or non-existent. This process re-calibrates the SWC values to the RP4 interface, so it will know what they can be set to for button function assignment. The interface must be programmed in the specific order shown in the chart below. If you come across a function in the chart that your steering wheel does not have, you must press and release the program button, on the side of the interface, to skip that function. The LED will flash off and on, confirming that you have successfully skipped that function, and are ready to proceed to the next one.

The SWC and radio command assignments can always be restored to default values by entering re-calibration mode (Steps 1-2) and not pressing any buttons. After 7 seconds the re-calibration mode will time out, and all default values will be restored.

1. Turn the key to the ignition position.
2. Press and hold the programming button for 7 seconds, until the LED begins blinking. When the LED begins blinking, release the programming button.
3. Within 7 seconds, press and release the button that is to be learned on the steering wheel. The LED will turn off when the button is pressed, and come back on when it is released.
4. If you need to program more buttons, repeat step 3 for each additional audio function on the steering wheel.
5. If you come across a function in the chart that your steering wheel does not have, press and release the program button on the side of the interface to skip that function.
6. Once programming is completed, wait seven seconds. The LED will flash three times, indicating end of programming.
7. Test the interface for proper functionality. Whenever a SWC is pressed, the LED on the interface should blink. If any function does not work, repeat the programming steps

Answer
Hang Up
Voice

After you have re-calibrated the SWC buttons, the default SWC button assignments will be the same as what is listed in the chart on page 2. If you wish to re-assign button functions, you must also go through the programming process on page 3.

Product Updates (Firmware)

The RP4-HD11 can be updated with new firmware as it becomes available, using the PAC-UP interface updater (sold separately). Please visit www.pac-audio.com/firmware for available updates.

Follow the procedure listed below to update the RP4-HD11:

1. Unplug all connectors from the RP4 interface
2. Set the rotary switch to position 0
3. Connect the PAC-UP
4. Update the interface
5. Disconnect the PAC-UP
6. Set the rotary switch back to normal operating position
7. Re-connect the RP4 to the vehicle

