



## Z-Series Coaxial Speakers

Z-Series Haut-parleurs coaxiaux  
Z-Series Altavoces Coaxiales

Models: Z4CX - Z5CX - Z65CX - Z46CX - Z57CX - Z69CX

### FEATURES

**Shallow Mount Design** - Flush profile tweeter and a compact basket design for easy installation

**Z-Series Cone** - High-quality polypropylene cone material for great sounding audio

**Butyl Rubber Surround** - Excellent durability for prolonged performance and improved lateral cone stability

**Ferrofluid Filled Tweeter** - Enables enhanced thermal contact for improved reliability and optimum damping for the voice coil

### CARACTÉRISTIQUES

**Design à faible profondeur** - Tweeters à profil affleurant et conception compacte pour faciliter l'installation

**Cone de la série Z** - Matériau conique en polypropylène d'excellente qualité pour un son parfait

**Haut parleur en caoutchouc Butyle** - Excellente durabilité pour une performance prolongée et une meilleure stabilité du cône latéral

**Tweeters fluides Ferro** - Permet un contact thermique amélioré pour une meilleure fiabilité et un amortissement optimal pour la bobine mobile

### CARACTERÍSTICAS

**Diseño Bajo del Montaje** - Altavoces de Agudos de Alto Perfil, con un diseño compacto de cesta para una instalación sencilla

**Cono de Series Z** - Material de Cono de Polipropileno de Alta Calidad para un Gran Sistema de Sonido

**Caucho Butílico** - Excelente durabilidad para un rendimiento prolongado y una mejor estabilidad del cono lateral

**Altavoces de Agudos recubiertos de Ferrofluido** - Permite el contacto térmico mejorado para una mayor fiabilidad y óptima amortiguación de la bobina de voz

<b>SPECIFICATION</b>	<b>Z4CX</b>	<b>Z5CX</b>	<b>Z65CX</b>
Peak Power (watts)	120 Watts	140 Watts	160 Watts
Rated Power (watts)	30 Watts	35 Watts	40 Watts
Frequency Response	99Hz-20KHz	78Hz-20KHz	75Hz-20KHz
Impedance	4 Ohm	4 Ohm	4 Ohm
Sensitivity	86dB	86dB	87dB
Cone Material	Polypropylene	Polypropylene	Polypropylene
Tweeter	PEI	PEI	PEI
Mounting Depth	43mm (1-11/16")	44mm (1-3/4")	46mm (1-13/16")
Mounting Diameter	103 mm (4-1/16")	118mm (4-5/8")	126mm (5")
	<b>Z46CX</b>	<b>Z57CX</b>	<b>Z69CX</b>
Peak Power (watts)	120 Watts	140 Watts	220 Watts
Rated Power (watts)	30 Watts	35 Watts	55 Watts
Frequency Response	120Hz-20KHz	71Hz-20KHz	85Hz-20KHz
Impedance	4 Ohm	4 Ohm	4 Ohm
Sensitivity	87dB	87dB	88dB
Cone Material	Polypropylene	Polypropylene	Polypropylene
Tweeter	PEI	PEI	PEI
Mounting Depth	50mm (2")	56mm (2.25")	70mm (2.75")
Mounting Diameter	142mm x 89mm (5.59" x 3.50")	181 mm x 128mm (7.12" x 5.04")	155mm x 222mm (6.10" x 8.74")

## INSTALLATION GUIDELINES

Ensure the audio system is turned off before making any connections to the amplifier, speakers or source unit. Failure to do so could result in permanent damage to the audio system.

When wiring the speakers ensure that the wire is protected from sharp objects and always use rubber grommets when wiring through metal panels. Ensure all terminals and connections are protected from the vehicle chassis and from each other as failure to do so could result in permanent damage to the audio system.

When connecting the speakers to the source unit or amplifiers ensure you connect the positive and negative output wire from the source unit to the corresponding speaker terminals. This will ensure the audio system will be in phase.

1. Ensure there is adequate clearance and depth for the speaker to be mounted.
2. Use the supplied template to mark out & cut the correct diameter hole.
3. Drill four holes for the mounting screws.
4. Separate the grille from the frame
5. Insert the speaker and grille and affix with the screws provided
6. Complete installation by replacing the grille into the grille frame.

## Z-Series Coaxial Speakers



Z4CX - Z5CX - Z65CX - Z46CX - Z57CX - Z69CX

### CONTENTS

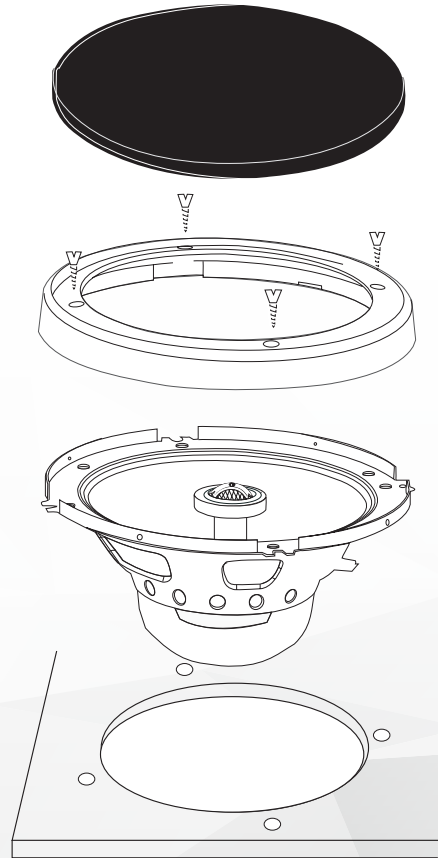
2 x Phoenix Gold Coaxial Speakers  
2 x Phoenix Gold Speaker Grilles  
1 x Mounting Template  
8 x Mounting Screws  
1 x User Manual

### NOTE

Speaker Wire included with the component speaker system will only connect the tweeter to the speaker, additional wiring is needed to connect to the audio system.

### WARNING

Do not drill mounting holes with speaker in place as this could allow drill shavings to damage the voice coil and void the speaker warranty.



### WARNING:

Audio Systems can produce sound levels over 135dB. Continuous exposure to sound pressure levels over 100dB may cause permanent hearing loss. Please watch for emergency vehicles as warning signals may not be heard.

## **Phoenix Gold Product Warranty**

### LIMITED WARRANTY

Phoenix Gold warrants this product to be free of defects in materials and workmanship for a period of one (1) years from the original date of purchase. This warranty is not transferable and applies only to the original purchaser from an authorized Phoenix Gold dealer in the United States of America only. Should service be necessary under this warranty for any reason due to manufacturing defect or malfunction, Phoenix Gold will (at its discretion), repair or replace the defective product with new or remanufactured product at no charge. Damage caused by the following is not covered under warranty: accident, misuse, abuse, product modification or neglect, failure to follow installation instructions, unauthorized repair attempts, misrepresentations by the seller. This warranty does not cover incidental or consequential damages and does not cover the cost of removing or reinstalling the unit(s). Cosmetic damage due to accident or normal wear and tear is not covered under warranty.

### INTERNATIONAL WARRANTIES:

Products purchased outside the United States of America are covered only by that country's Authorized Phoenix Gold reseller and not by Phoenix Gold. Consumers needing service or warranty information for these products must contact that country's reseller for information.

email - [support@phoenixgold.com](mailto:support@phoenixgold.com) (US)  
tel - 1-800-477-2267 (East Coast)  
email - [technical.eu@aampglobal.com](mailto:technical.eu@aampglobal.com) (Europe)

15500 Lightwave Drive, Suite 202  
Clearwater, Florida 33760

Woolmer Way, Bordon, Hampshire,  
GU35 9QE, United Kingdom

**Phoenix Gold is a Power Brand of AAMP Global**