



in PHASE

ULTRA COMPACT ACTIVE SUBWOOFER
INSTRUCTION MANUAL

To ensure maximum performance and safety please follow this manual. Please retain the manual for future reference after installation.

CONGRATULATIONS ON YOUR PURCHASE

Dear Customer,

Congratulations on your purchase of the In Phase Ultra Compact Active Subwoofer. This product is designed to deliver maximum enjoyment and many years of trouble free service. Please take a few moments to read this manual thoroughly. It will explain the features and operations of the Subwoofer and help insure trouble free installation. We wish you many hours of enjoyment with your new In Phase Ultra Compact Active Subwoofer.

FEATURES:

- Max Power 300w
- Rated Power 100w
- 6.5" Aluminium Cone
- Die Cast Aluminium Chassis
- Ultra Slim Design
- Phase Button (0 - 180)
- RCA Input Terminals
- Remote Level Control (5m)
- Dimensions 270mm (D) x 69mm (H)
- Weight (Inc Accessories) 4.8Kg

ACCESSORIES:

- 1 x Remote Turn On Lead (blue/white)
- 1 x Speaker Level Input Lead (Grey)
- 1 x Earth Lead (Black)
- 1 x Power Lead (Yellow)
- 1 x Loom
- 2 x Mounting Brackets

RECOMMENDATION

The performance of a subwoofer can only be as good as its installation. A correct installation increases the overall performance of your car sound system. The Subwoofer should be installed by a trained technician. If you are to install it yourself, please read these instructions very carefully and allow yourself sufficient time for the installation.

SAFETY NOTES:

Please observe the following safety notes during the installation and connection.

- Disconnect the negative pole of the battery (Please refer to your vehicles user manual)
- Observe the safety notes of the vehicle manufacturer.
- When you drill holes, ensure that you do not damage any vehicle components.
- Please use the cables supplied.
- Use cable grommets for holes with sharp edges.
- An incorrect installation can result in a malfunction of the vehicles electronic system or your cars sound system.

INSTALLATION INSTRUCTIONS

Please read this manual carefully and follow the instructions for installation. We guarantee that this product has been checked for proper functioning by our quality control department before shipping.

The Ultra Compact Active Subwoofer may only be installed in motor vehicles which have a 12 volt negative terminal connected to chassis ground.

The positive power cable from the battery to the Subwoofer is provided with a main fuse at a distance of 30cm (max) from the battery. (Please use the yellow cable supplied)

Before you start installing the product disconnect the car battery at the negative terminal (observe the safety notes of the vehicle manufactures and all safety factors such as coded head units)

We would urge you to have the installation work carried out by a specialist for verification of correct and safe installation.

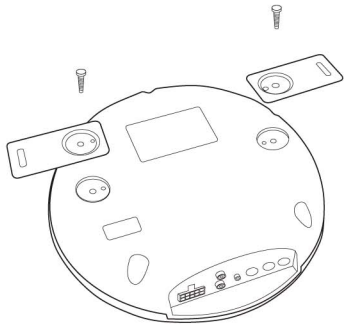
Please install the Subwoofer in a dry location where there is sufficient air circulation.

For safety reasons we would advise that the subwoofer is secured using the brackets and screws supplied.

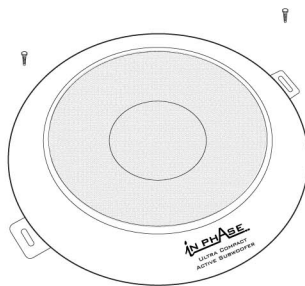
Before drilling holes for the screws carefully examine the area around the installation position and make sure that there are no electrical cables or component hydraulic brake line or any part of the petrol tank located behind the mounting surface.

MOUNTING:

1. Decide where you are going to install the unit.
2. Once the location has been determined, place the Subwoofer into position with the mounting brackets attached . Using a felt tip pen or pencil mark the two holes to be drilled for mounting. DO NOT use the subwoofer as a template for drilling. It is very easy to damage the subwoofer enclosure surface in this manner.
3. Remove Subwoofer. Drill two 3.0 mm holes into mounting surface. If you want to mount the Subwoofer onto MDF or wood panel, drill four 2.5mm diameter holes into mounting surface.
4. If possible, test the system to ensure it is operating correctly before final mounting of the Subwoofer.
5. Mount the Subwoofer using the supplied 2 self tapping screws.

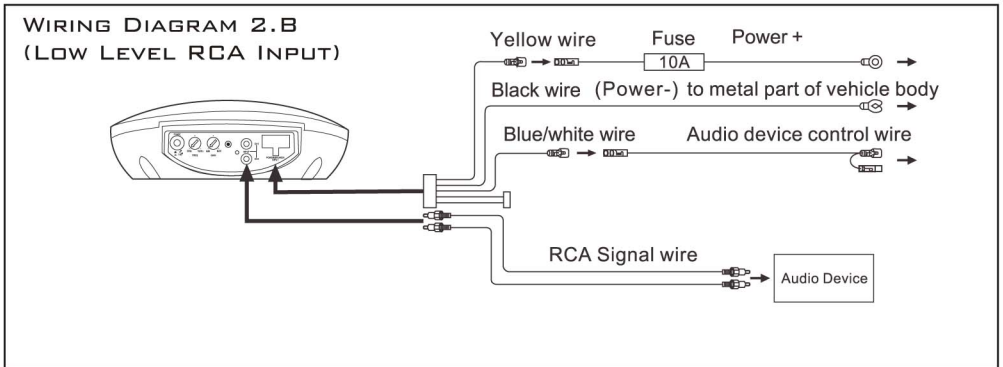
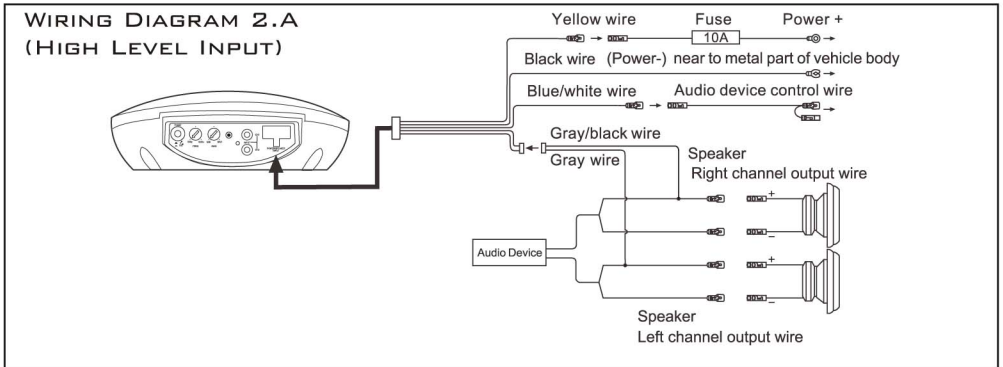
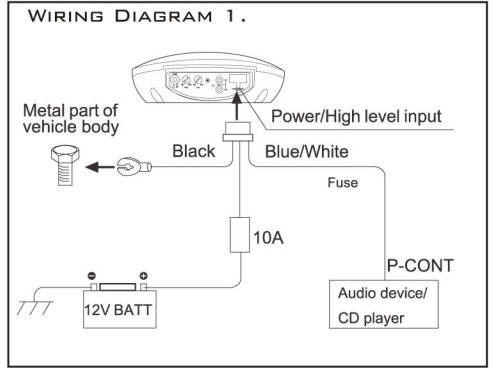
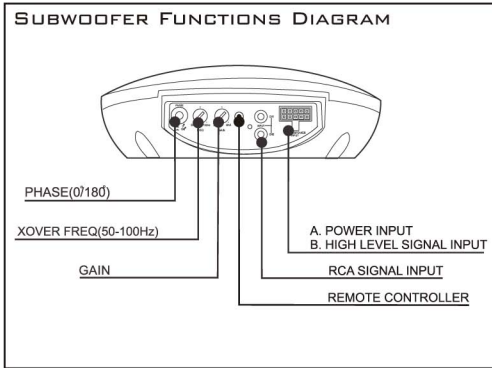


Attaching the Mounting Brackets



Attaching to Surface (Mounting)

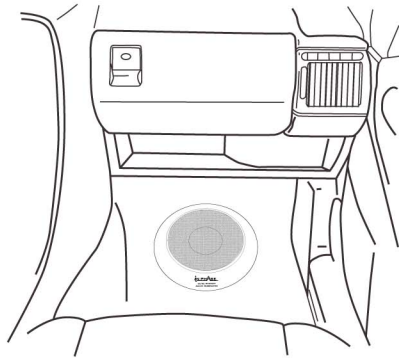
SUBWOOFER OVERVIEW & WIRING



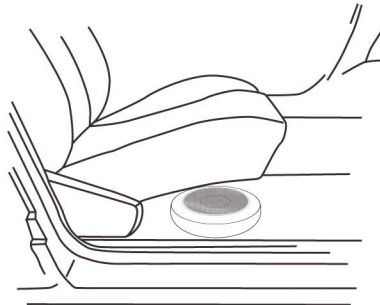
Note: Use either RCA line level or speaker level input. Do not connect both at the same time.

SUBWOOFER PLACEMENT SUGGESTION

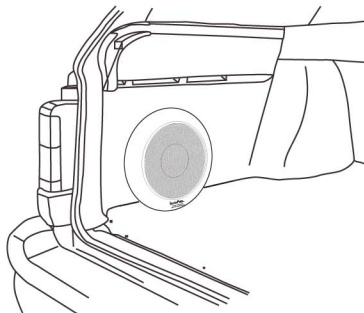
1. FOOTWELL



2. UNDER SEAT



3. BOOT



TERMINOLOGY

Phase Button	The Phase Button located on the Ultra Compact Active Subwoofer can switch the phase setting 180°. This effectively reverses audio signal from positive to negative or vice versa. Try pressing the Phase Button to improve the audio quality.
Crossover Frequency	The Crossover dial adjusts the audible frequency of the subwoofer. Choosing a low setting (50hz) will allow the subwoofer to sound/emit low bass frequencies whilst letting the mid/high range speakers handle any frequency above the chosen setting.
Gain	Gain (not to be confused with volume) is the ability to increase the power or amplitude of the electrical signal.

TECHNICAL SPECIFICATION

Maximum Output Power	300w (150w x 2)
Rated Output Power	100w (50w x 2)
Output Impedance	4 Ohm + 4 Ohm
Crossover Frequency	50- 100Hz
S/N (A)	>60dB
Maximum Current Consumption	12A
Sensitivity (Distortion Level 1%)	RCA Input 50mV - 0.2V
Source Voltage	14.4V (10V-16V)
Size	270mm x 69mm
Weight (Including Accessories)	4.8Kg



www.inphaseaudio.co.uk

Features and Specifications of the products described or illustrated in this manual are correct at the time of the printing but could change as production changes occur without notice. In Phase, XT and 'In Life In Tune' are registered Trademarks of In Phase International Ltd, unless otherwise stated. No part of this production may be reproduced without written permission from In Phase International Ltd. All Images and designs are the Intellectual Property of In Phase International Ltd 2009