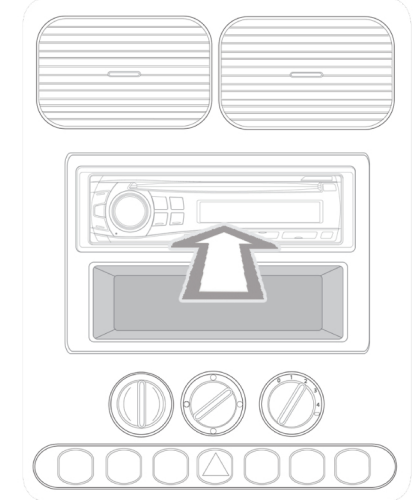
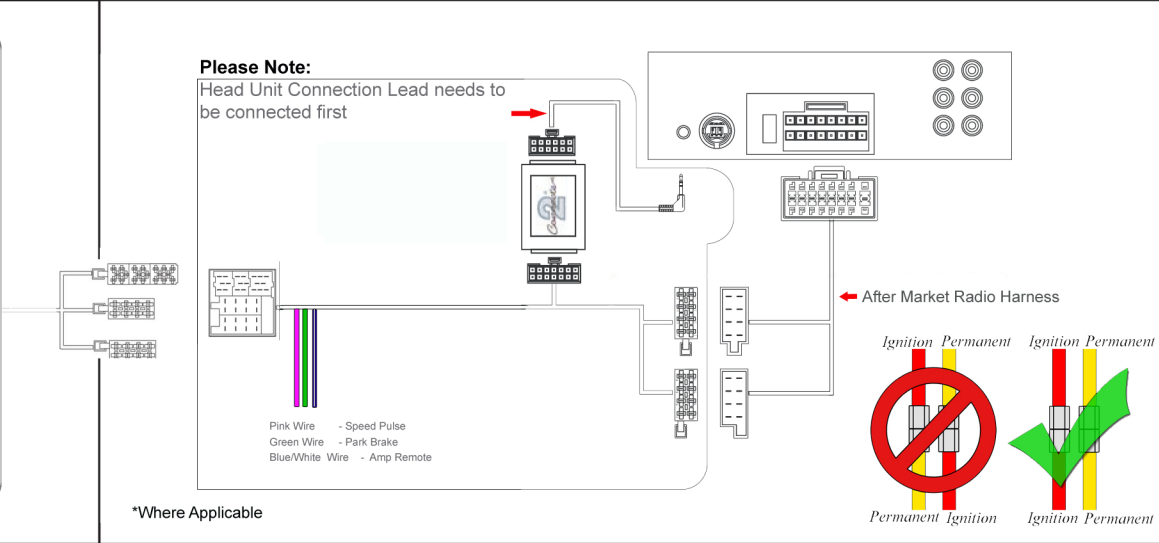
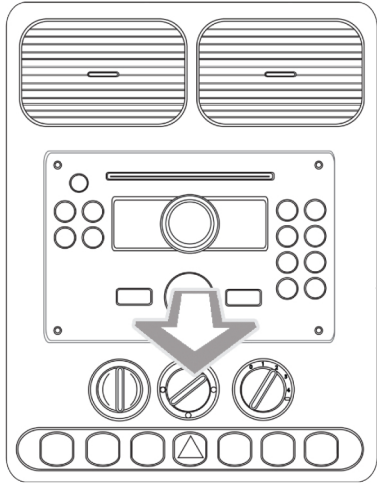


Installation Guide

Part No: CTSKI00C.2 Kia Steering Wheel Control Interface



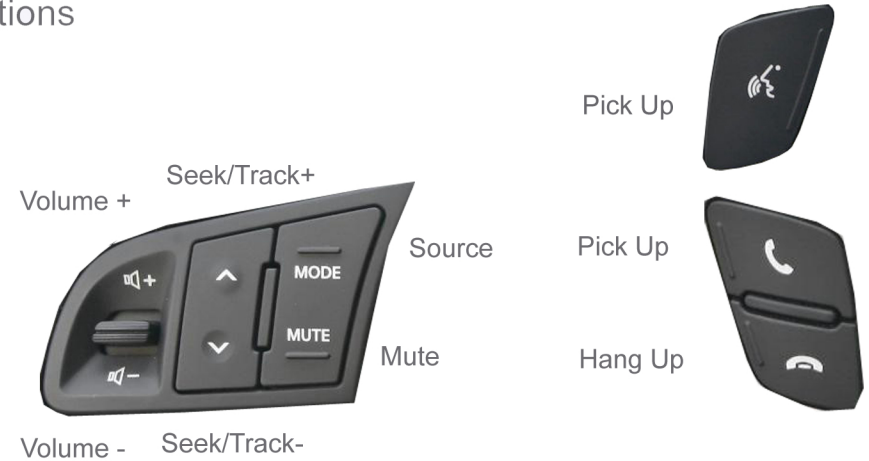
Vehicle Compatibility:



Kia / Hyundai

Analogue Stalk with Dual pick up.

Steering Wheel Control Functions



* Note All Dates are guide lines only as specifications of vehicles change