



CT237JP01

## Double DIN Fitting Kit for select Jeep Vehicles



### Kit Includes:

- 1x Radio Trim Panel
- 1x set of Radio Brackets
- 1x set of Pioneer Adapter Brackets
- 4x Panel Clips

## APPLICATION

- Jeep Gladiator 2020 >
- Jeep Wrangler (JL) 2018 >

*Designed specifically for shallow mount radios like Alpine iLX-720D. Additional brackets in kit are for Pioneer modular 6.8" radios (like SPH-EVO62DAB).*

*Note: Application data is subject to change at any time*

## RECOMMENDED TOOLS

- Panel Removal Tool
- Phillips Screwdriver

## FEATURES

- Allows for the installation of a double DIN aftermarket stereo
- Includes mounting brackets and fitting accessories
- Finished in black to match vehicle dashboard

### DISCLAIMER

*The information provided in this document is subject to change without notice due to manufacturer changes and/or improvements to the product/s. This instruction manual is based on documented data and research. The manufacturer of this product cannot be held responsible for any changes made to the vehicle by the manufacturer or damages that may occur through the installation of this product in accordance with the steps outlined herein.*

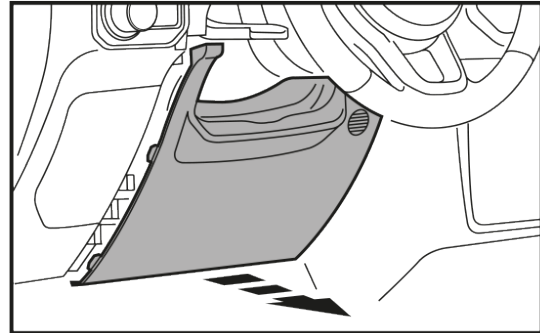
# PRIOR TO INSTALLATION

Read the manual prior to installation. Technical knowledge is necessary for installation. The place of installation must be free of moisture and away from heat sources. Please ensure that the correct tools are using during the installation to avoid damage to the vehicle or product. **Connects2 can not be held responsible for the installation of this product.**

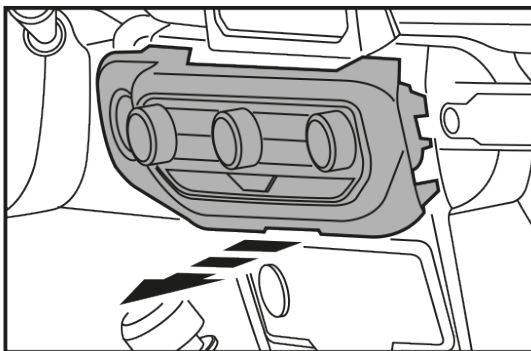
## INSTALLATION GUIDE

### DASH DISASSEMBLY

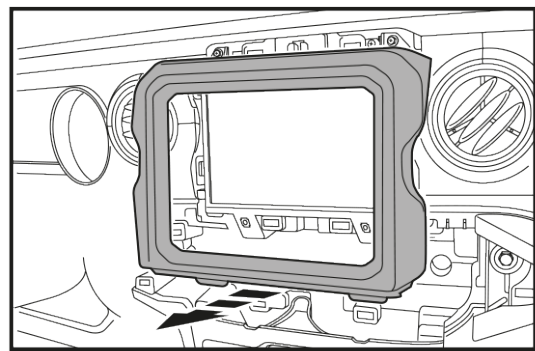
1. Unclip and remove the panel below the steering wheel column (**Fig A**).
2. Unclip the climate control panel and set aside (**Fig B**).
3. Remove (x2) phillips screws securing the radio trim panel, then unclip and remove fully (**Fig C**).
4. Remove (x4) phillips screws securing the radio, then proceed to unplug and remove.



**Fig. A**



**Fig. B**

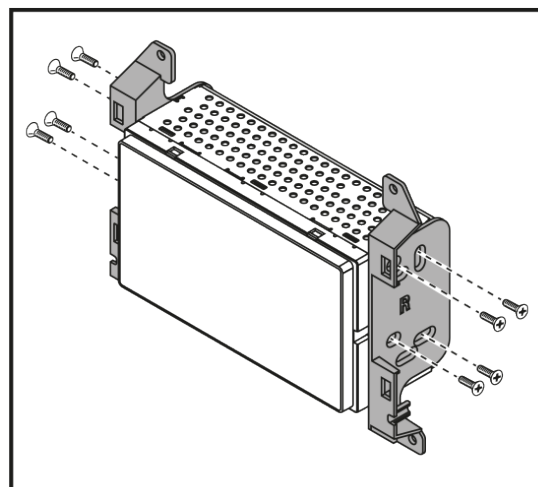


**Fig. C**

### KIT ASSEMBLY

#### INSTALLATION OF SHALLOW DEPTH RADIO:

- i. Secure the 'Radio Brackets' to the radio using the screws supplied with the radio (**Fig 1**).
- ii. Locate the factory wiring harness and antenna connector in the dash and complete all necessary connections to the radio.
- iii. Place the radio into the dash, then secure using factory screws.
- iv. Attach (x4) 'Panel Clips' provided onto the 'Radio Trim Panel', then attach over the radio (**Fig 4**). Reassemble the dash in reverse order to complete the installation.



**Fig. 1**

# INSTALLATION GUIDE

## INSTALLATION OF MODULAR DDIN RADIO:

i. Secure the 'Pioneer Adapter Brackets' to the radio using the screws supplied with the radio (**Fig 2**).

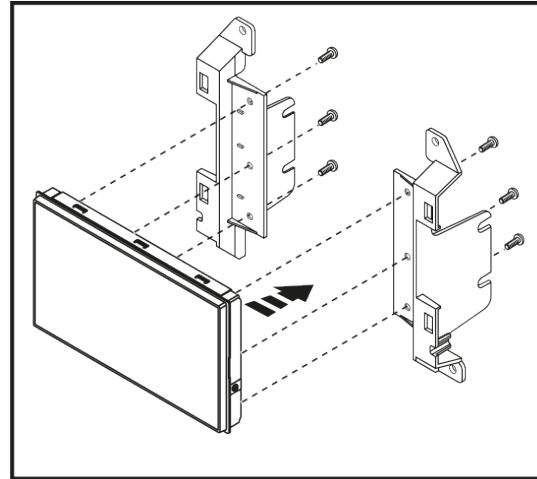
ii. Secure the radio chassis to the radio display/ bracket assembly using the screws supplied with the radio (**Fig 3**).

iii. Route the RGB extension cable from the radio chassis to the display screen and connect it accordingly.

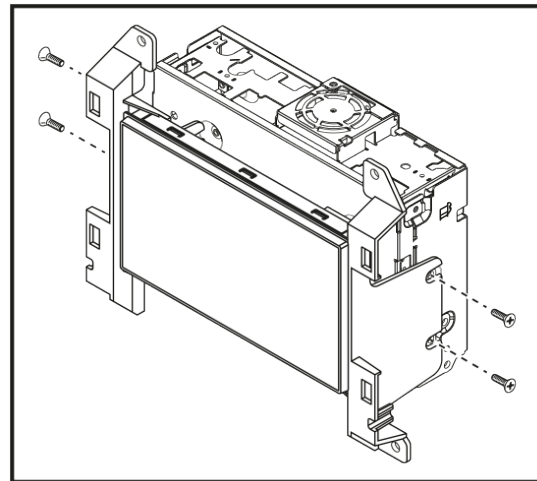
iv. Locate the factory wiring harness and antenna connector in the dash and complete all necessary connections to the radio.

v. Place the radio into the dash, then secure using factory screws.

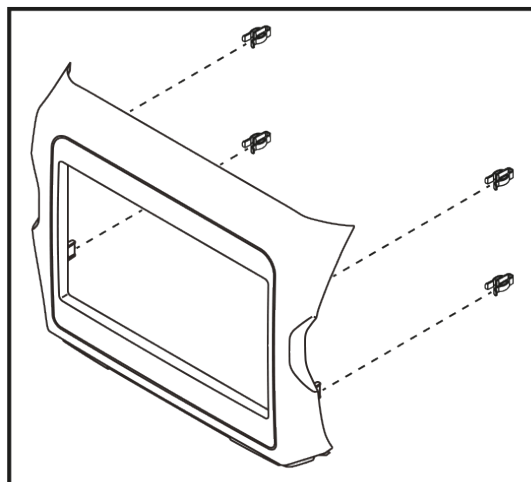
vi. Attach (x4) 'Panel Clips' provided onto the 'Radio Trim Panel', then attach over the radio (**Fig 4**). Reassemble the dash in reverse order to complete the installation.



**Fig. 2**



**Fig. 3**



**Fig. 4**

# NOTES

---