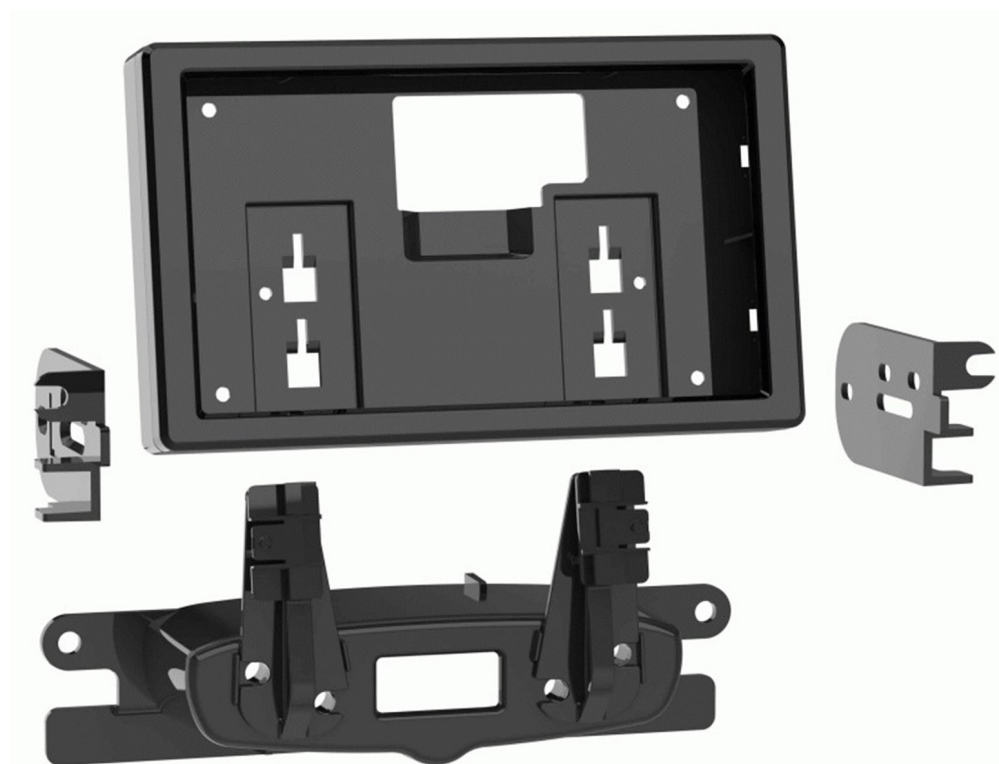




CT237BM01

Double DIN Fitting Kit for select BMW Vehicles



Kit Includes:

- 1x Assembly Mount
- 1x set of Radio Chassis Brackets
- 1x set of Display Brackets
- 1x Display Housing
- 1x Display Trim Ring
- 1x Block Out Panel
- 4x 4mm Allen Head Screws

APPLICATION

BMW Mini Countryman	2011 - 2016
BMW Mini Paceman	2011 - 2016

*Note: for vehicles **without** factory Navigation.*

Designed specifically for Pioneer modular 6.8" radios (like SPH-EV062DAB & SPH-EV064DAB).

Note: Application data is subject to change at any time

RECOMMENDED TOOLS

- Panel Removal Tool • Phillips Screwdriver • Cutting Tool • 10mm Socket Set • Allen Head Driver

FEATURES

- Allows for the installation of a double DIN aftermarket stereo
- Includes mounting brackets and fitting accessories
- Finished in black to match vehicle dashboard

DISCLAIMER

The information provided in this document is subject to change without notice due to manufacturer changes and/or improvements to the product/s. This instruction manual is based on documented data and research. The manufacturer of this product cannot be held responsible for any changes made to the vehicle by the manufacturer or damages that may occur through the installation of this product in accordance with the steps outlined herein.

PRIOR TO INSTALLATION

Read the manual prior to installation. Technical knowledge is necessary for installation. The place of installation must be free of moisture and away from heat sources. Please ensure that the correct tools are using during the installation to avoid damage to the vehicle or product.
Connects2 can not be held responsible for the installation of this product.

INSTALLATION GUIDE

DASH DISASSEMBLY

1. Unclip and remove the trim panel to the right of the glove box above the foot well (**Fig A**).

2. Unclip and remove the passenger side kick panel (**Fig B**).

3. Remove (x2) Torx screws from the panel below the glove box. Then unclip the front edge of the panel and let hang (**Fig C**).

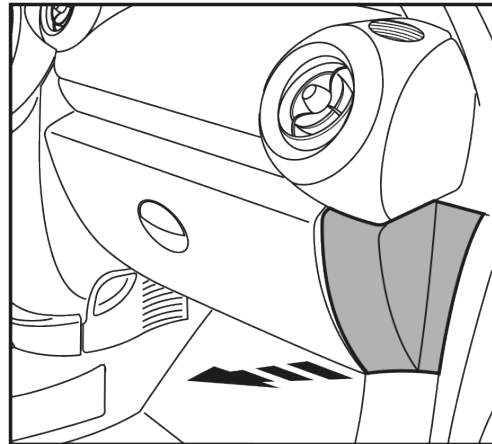


Fig. A

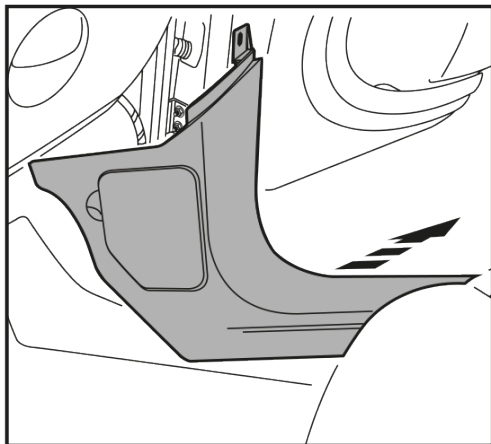


Fig. B

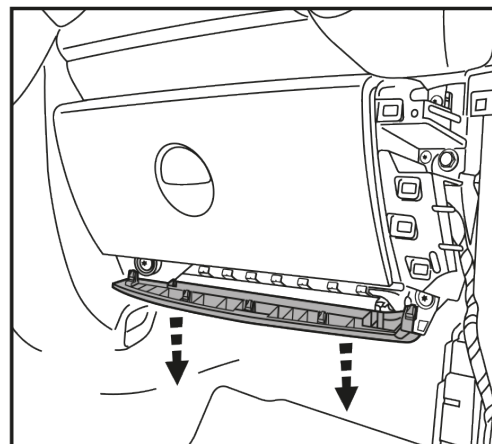


Fig. C

4. Remove (x7) Torx screws that hold the glovebox in place, then unclip and remove (**Fig D & E**).

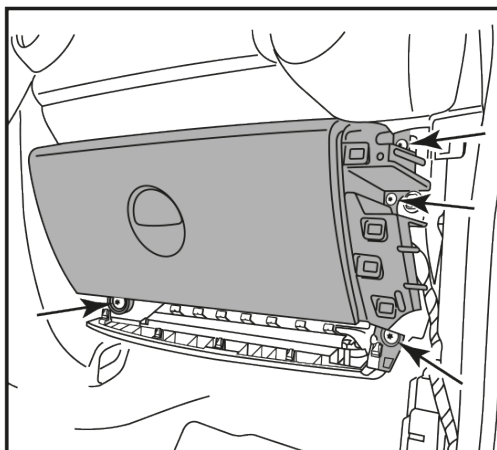


Fig. D

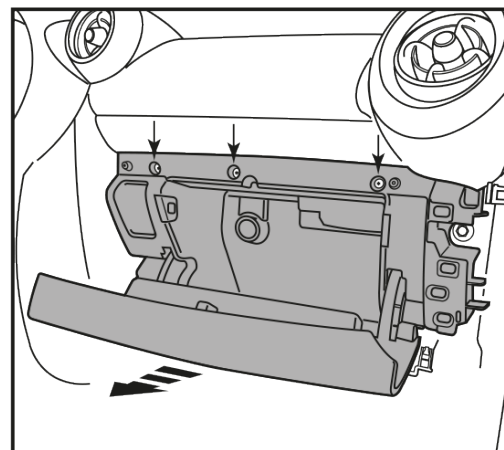


Fig. E

INSTALLATION GUIDE

5. Unclip and remove the panel to the side of the steering wheel column (**Fig F**).

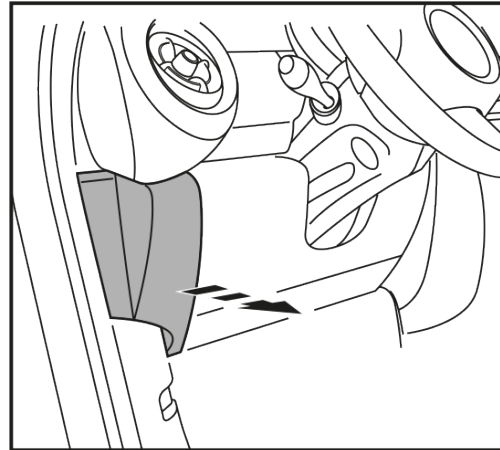


Fig. F

6. Remove (x3) Torx screws securing the steering wheel panel surround and remove. (**Fig G**).

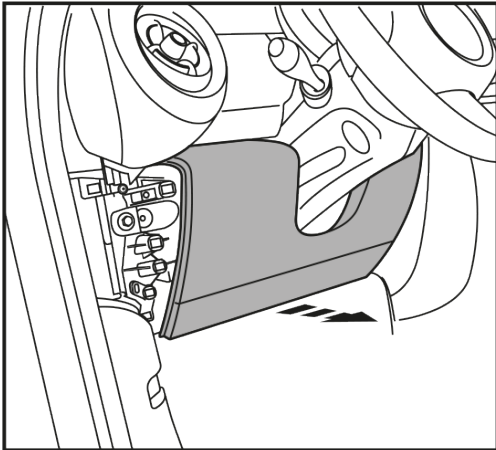


Fig. G

7. Pull the rubber cover in the center console back to reveal (x1) Torx screw on the shifter trim panel.

8. Remove (x4) Torx screws from inside the cup holders and the (x1) Torx screw exposed in **Step 7**. Then unclip and slide the shifter trim panel outward from the dashboard (**Fig H**).

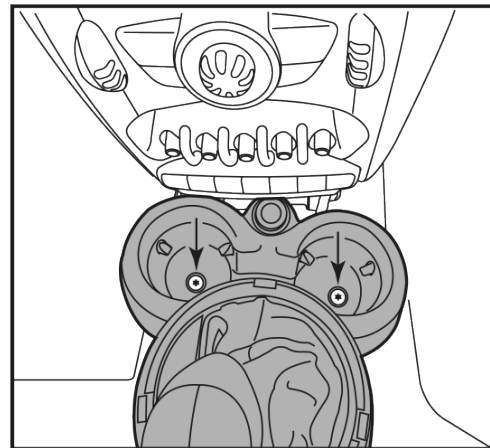


Fig. H

9. Remove (x1) Torx screw from the trim panel in front of the gear shifter. Then unclip and remove the panel (**Fig I**).

9. Unclip and remove the side trim panels from the center stack panel (**Fig J**).

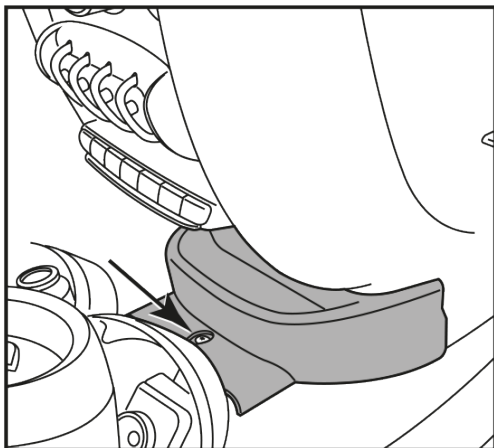


Fig. I

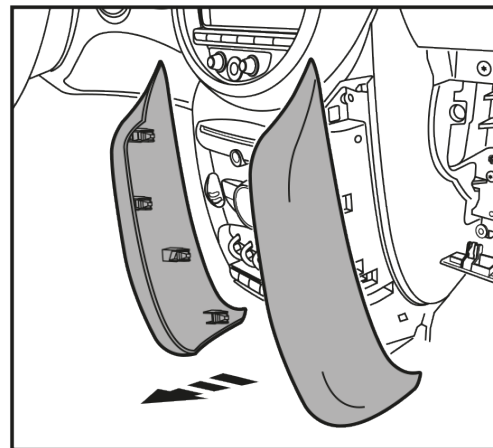


Fig. J

INSTALLATION GUIDE

10. Unclip and remove the trim panel surrounding the speedometer and a/c vents (**Fig K**).

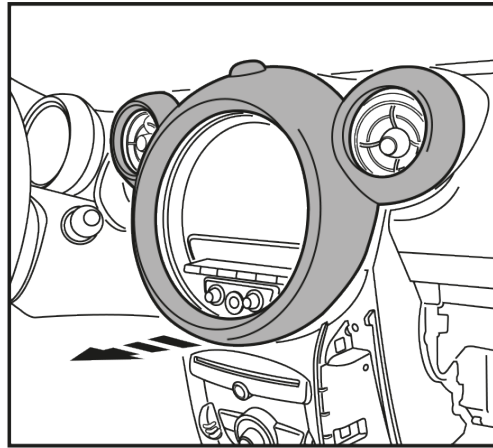


Fig. K

11. Remove (x10) Torx screws from the center stack surrounding the a/c controls and window switches. Then unclip, disconnect and remove the center stack (**Fig L**).

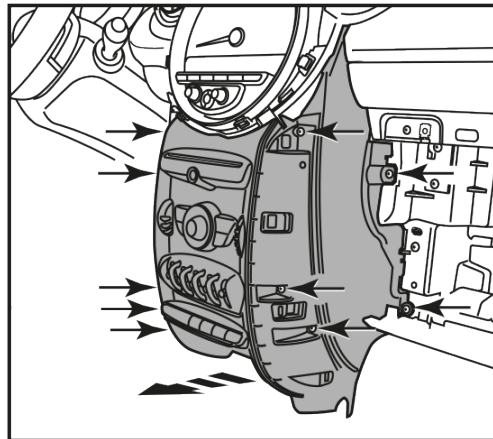


Fig. L

12. Remove (x7) Torx screws securing the sub trim panel surrounding the speedometer and a/c vents then unclip and remove the panel (**Fig M**).

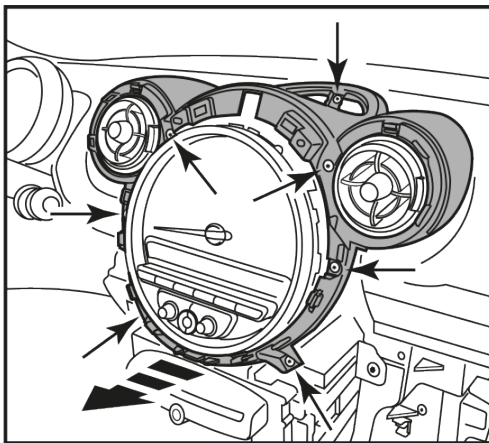


Fig. M

12. Remove (x5) Torx screws securing the radio/speedometer assembly then disconnect and remove the entire assembly (**Fig N**).

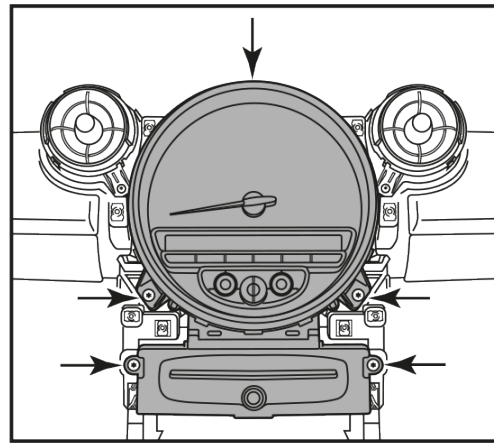


Fig. N

12. Push in the 2x clips on the back of the speedometer and lift up carefully to separate the chassis and speedometer. Then unplug the ribbon cable and set aside for reassembly (**Fig O & P**).

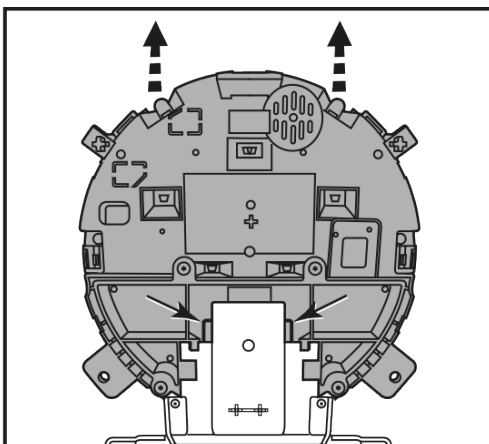


Fig. O

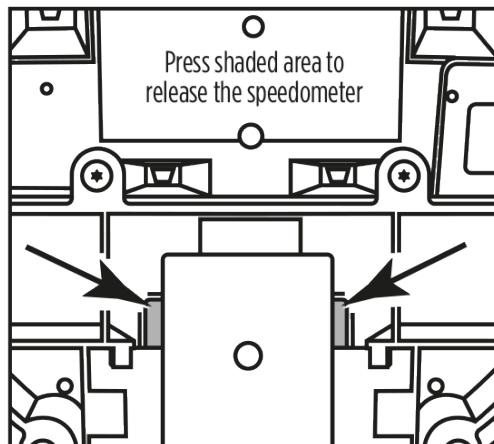


Fig. P

INSTALLATION GUIDE

KIT PREPARATION

13. Remove (x4) Torx screws securing the radio controls, then remove the entire assembly from the speedometer (**Fig Q**).

14. Secure the 'Block Out Panel' to the speedometer using (x2) of the factory Torx screws (**Fig R**).

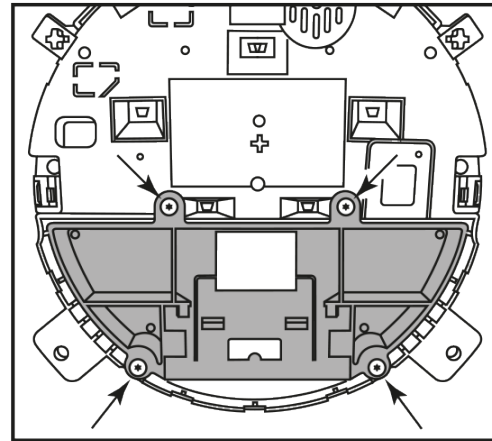


Fig. Q

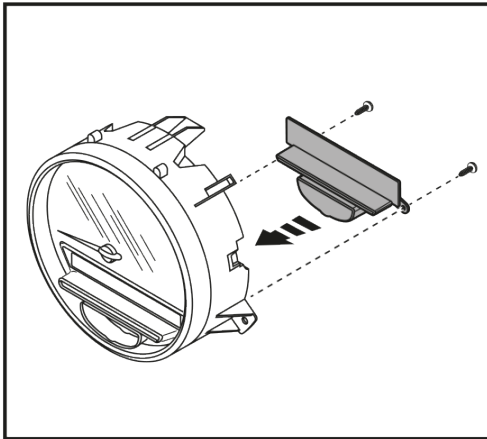


Fig. R

KIT ASSEMBLY

15. Secure the 'Display Brackets' to the 'Assembly Mount' using (x4) Allen head screws. (**Fig A**).

Note: the brackets have a locking pin on them which must face outwards.

16. Secure the 'Radio Brackets' to the radio chassis using (x4) screws supplied with the radio (**Fig B**).

17. Slide the radio chassis/bracket assembly into the dash. Secure the assembly mount/display bracket assembly to the radio brackets using the factory screws (**Fig C**).

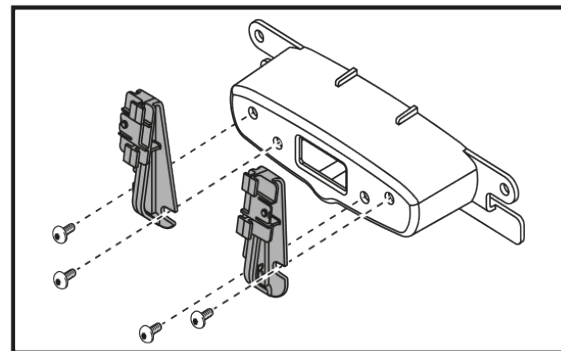


Fig. A

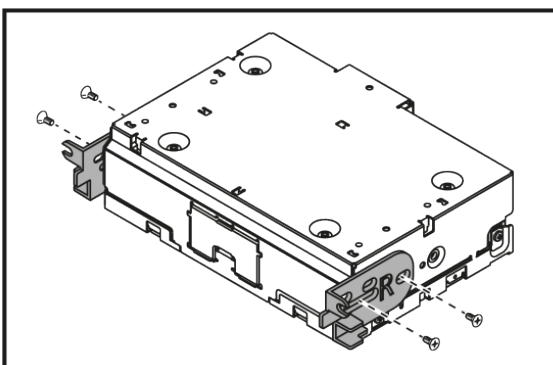


Fig. B

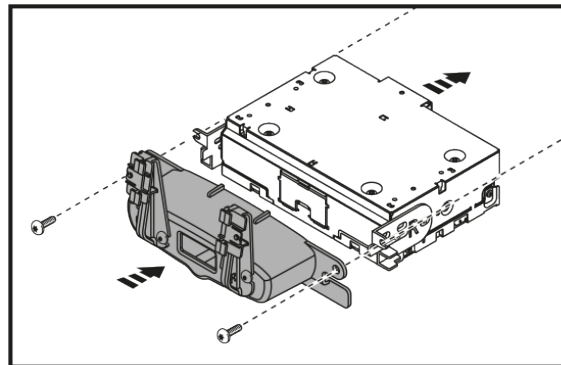


Fig. C

INSTALLATION GUIDE

18. Route the RGB display cable from the radio chassis, through the opening in the 'Assembly Mount'.

19. Secure the radio display to the 'Display Housing' using (x4) screws supplied with the radio (**Fig D**).

20. Clip the 'Display Trim Ring' onto the assembly (**Fig E**).

21. Plug the RGB display cable into the display, then slide and lock in place the 'Display Housing' to the 'Display Brackets'. Use the 4 lower holes in the display housing (**Fig F**).

This completes the installation process.

Note: the locking pins can be pulled back to release the display housing at any point hereafter.

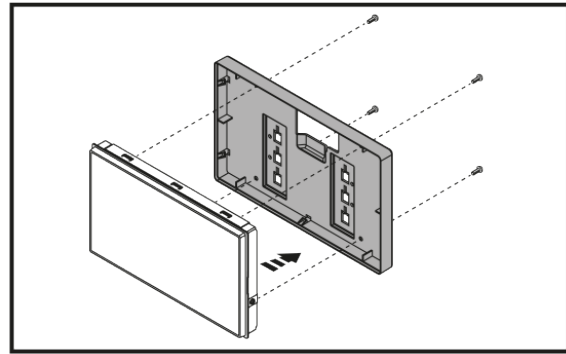


Fig. D

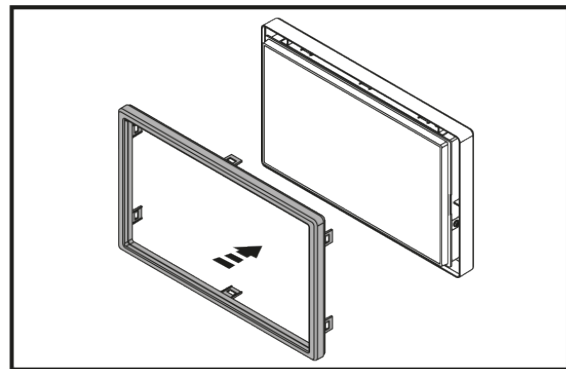


Fig. E

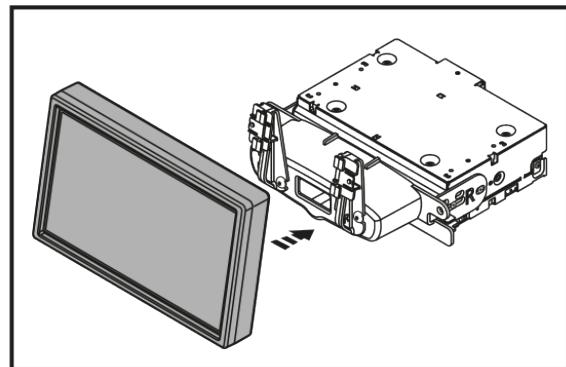


Fig. F

NOTES