

## FM/AM/LW Bluetooth® Car Audio

Operating Instructions GB

Mode d'emploi FR

Bedienungsanleitung DE

Manual de instrucciones ES

Gebruiksaanwijzing NL

Bruksanvisning SE

**To cancel the demonstration (DEMO) display, see page 6.**

For the connection/installation, see page 10.

**Pour annuler la démonstration (DEMO), reportez-vous à la page 6.**

Pour le raccordement/l'installation, reportez-vous à la page 10.

**Zum Deaktivieren der Demo-Anzeige (DEMO) schlagen Sie bitte auf Seite 6 nach.**

Informationen zum Anschluss und zur Installation finden Sie auf Seite 10.

**Para cancelar la pantalla de demostración (DEMO), consulte la página 6.**

Para la conexión/instalación, consulte la página 10.

**Om de demonstratie (DEMO) te annuleren, zie pagina 6.**

Raadpleeg pagina 10 voor meer informatie over de aansluiting/installatie.

**Se sidan 6 för att avbryta demonstrationsvisningen (DEMO).**

Se sidan 10 för anslutning/installation.



\* 5 0 0 3 2 8 3 3 3 \* (1)

## Warning

For safety, be sure to install this unit in the dashboard of the car as the rear side of the unit becomes hot during use.  
For details, see "Connection/Installation" (page 10).

Made in Thailand

The nameplate indicating operating voltage, etc., is located on the bottom of the chassis.

The validity of the CE marking is restricted to only those countries where it is legally enforced, mainly in the countries EEA (European Economic Area) and Switzerland. The validity of the UKCA marking is restricted to only those countries where it is legally enforced, mainly in the UK.

### **Notice for customers: the following information is only applicable to equipment sold in countries applying EU directives and/or UK applying relevant statutory requirements**

This product has been manufactured by or on behalf of Sony Corporation.

EU Importer: Sony Europe B.V.

Inquiries to the EU Importer or related to product compliance in Europe should be sent to the manufacturer's authorized representative, Sony Belgium, bijkantoor van Sony Europe B.V., Davincilaan 7-D1, 1930 Zaventem, Belgium.



Hereby, Sony Corporation declares that this equipment is in compliance with Directive 2014/53/EU.

The full text of the EU declaration of conformity is available at the following internet address:

<https://compliance.sony.eu>

Hereby, Sony Corporation declares that this equipment is in compliance with the UK relevant statutory requirements.

The full text of the declaration of conformity is available at the following internet address:

<https://compliance.sony.co.uk>



**Disposal of waste batteries and electrical and electronic equipment (applicable in the European Union and other countries with separate collection systems)**

This symbol on the product, the battery or on the packaging indicates that the product and the battery shall not be treated as household waste.

On certain batteries this symbol might be used in combination with a chemical symbol. The chemical symbol for lead (Pb) is added if the battery contains more than 0.004% lead.

By ensuring that these products and batteries are disposed of correctly, you will help to prevent potentially negative consequences for the environment and human health which could be caused by inappropriate waste handling. The recycling of the materials will help to conserve natural resources.

In case of products that for safety, performance or data integrity reasons require a permanent connection with an incorporated battery, this battery should be replaced by qualified service staff only.

To ensure that the battery and the electrical and electronic equipment will be treated properly, hand over these products at end-of-life to the appropriate collection point for the recycling of electrical and electronic equipment.

For all other batteries, please view the section on how to remove the battery from the product safely. Hand the battery over to the appropriate collection point for the recycling of waste batteries.

For more detailed information about recycling of this product or battery, please contact your local Civic Office, your household waste disposal service or the shop where you purchased the product or battery.

### **CAUTION**

The following frequency 65 – 74 MHz range is not allocated to sound broadcasting in the European Common Allocations table and cannot be used in Europe.

### **Warning if your car's ignition has no ACC position**

Be sure to set the AUTO OFF function. The unit will shut off completely and automatically in the set time after the unit is turned off and the clock is displayed (i.e. press and hold OFF for 1 second), which prevents battery drain. If you do not set the AUTO OFF function, press and hold OFF until the display disappears each time you turn the ignition off.

### **Disclaimer regarding services offered by third parties**

Services offered by third parties may be changed, suspended, or terminated without prior notice. Sony does not bear any responsibility in these sorts of situations.

## Important notice

### Caution

IN NO EVENT SHALL SONY BE LIABLE FOR ANY INCIDENTAL, INDIRECT OR CONSEQUENTIAL DAMAGES OR OTHER DAMAGES INCLUDING, WITHOUT LIMITATION, LOSS OF PROFITS, LOSS OF REVENUE, LOSS OF DATA, LOSS OF USE OF THE PRODUCT OR ANY ASSOCIATED EQUIPMENT, DOWNTIME, AND PURCHASER'S TIME RELATED TO OR ARISING OUT OF THE USE OF THIS PRODUCT, ITS HARDWARE AND/OR ITS SOFTWARE.

Dear customer, this product includes a radio transmitter.

According to UNECE Regulation no. 10, a vehicle manufacturers may impose specific conditions for installation of radio transmitters into vehicles.

Please check your vehicle operation manual or contact the manufacturer of your vehicle or your vehicle dealer, before you install this product into your vehicle.

### Emergency calls

This BLUETOOTH car handsfree and the electronic device connected to the handsfree operate using radio signals, cellular, and landline networks as well as user-programmed function, which cannot guarantee connection under all conditions.

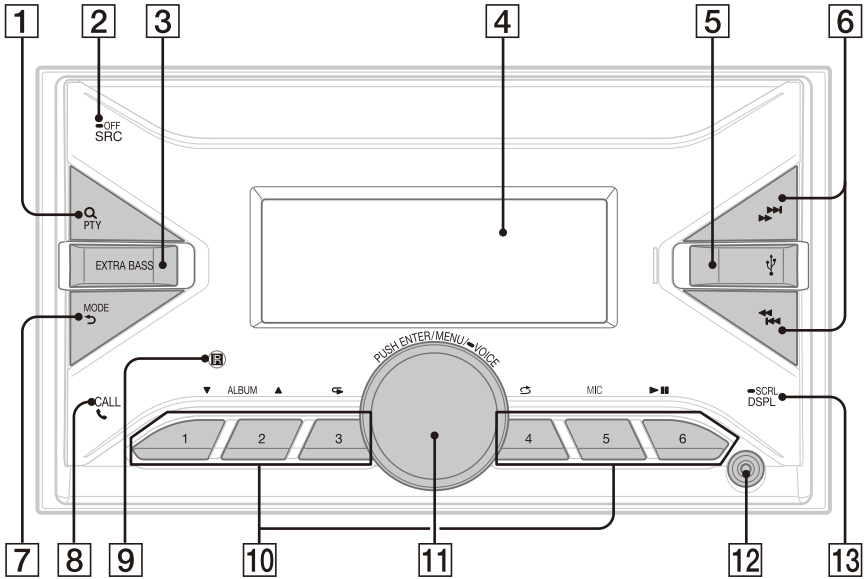
Therefore do not rely solely upon any electronic device for essential communications (such as medical emergencies).

### On BLUETOOTH communication

- Microwaves emitting from a BLUETOOTH device may affect the operation of electronic medical devices. Turn off this unit and other BLUETOOTH devices in the following locations, as it may cause an accident.
  - where inflammable gas is present, in a hospital, train, airplane, or petrol station
  - near automatic doors or a fire alarm
- This unit supports security capabilities that comply with the BLUETOOTH standard to provide a secure connection when the BLUETOOTH wireless technology is used, but security may not be enough depending on the setting. Be careful when communicating using BLUETOOTH wireless technology.
- We do not take any responsibility for the leakage of information during BLUETOOTH communication.

If you have any questions or problems concerning your unit that are not covered in this manual, consult your nearest Sony dealer.

## Main Unit



### 1 Q (browse)

During playback:  
Enters the browse mode.  
(Not available when a USB device in Android™ mode or iPod is connected.)

### PTY (program type)

During FM reception:  
Selects PTY in RDS.

### 2 SRC (source)

Turns on the power.  
Changes the source.

#### OFF

Press and hold for 1 second to turn the source off and display the clock.  
Press and hold for more than 2 seconds to turn off the power and the display.

### 3 EXTRA BASS

Reinforces bass sound in synchronization with the volume level.  
Press to change the EXTRA BASS setting: [1], [2], [OFF].

### 4 Display window

### 5 USB port

### 6 << / >> (SEEK +/-)

During radio reception:  
Tunes in radio stations automatically.  
Press and hold to tune manually.

#### <<< / >>> (prev/next)

#### <<< / >>> (fast-reverse/fast-forward)

### 7 MODE

#### ↶ (back)

Returns to the previous display.

### 8 CALL ☎

Enters the call menu. Receives/ends a call.  
Press and hold for more than 2 seconds to switch the BLUETOOTH signal.

### 9 Receptor for the remote commander

### 10 Number buttons (1 to 6)

Receives preset radio stations.  
Press and hold to preset stations.

#### ALBUM ▼/▲

Skips an album for audio device.  
Press and hold to skip albums continuously.  
(Not available when a USB device in Android mode or iPod is connected.)

### (repeat)

(Not available when a USB device in Android mode is connected.)

### (shuffle)

(Not available when a USB device in Android mode is connected.)

### MIC

#### (play/pause)

#### 11 Control dial

Adjusts the volume.

#### PUSH ENTER

Enters the selected item.

Press SRC, rotate then press to change the source (timeout in 2 seconds).

#### MENU

Opens the setup menu.

#### VOICE

Press and hold for more than 2 seconds to activate voice dial, voice recognition (Android smartphone only), or the Siri function (iPhone only).

#### 12 AUX input jack

#### 13 DSPL (display)

Changes display items.

#### SCRL (scroll)

Press and hold to scroll a display item.

## Basic Operations

### Resetting the Unit

Before operating the unit for the first time, after replacing the car battery, or changing the connections, you must reset the unit.

#### 1 Press and hold DSPL and CALL for more than 2 seconds.

#### Note

Resetting the unit will erase the clock setting and some stored contents.

### Setting the area/region

After resetting the unit, the area/region setting display appears.

#### 1 Press ENTER while [AREA] is displayed.

The area/region currently set appears.

#### 2 Rotate the control dial to select [EUROPE] or [RUSSIA], then press it.

#### 3 Rotate the control dial to select [YES] or [NO], then press it.

If the setting area/region is changed, the unit is reset, then the clock is displayed.

This setting can be configured in the general setup menu.


---

## Pairing with a BLUETOOTH Device


When connecting a BLUETOOTH device for the first time, mutual registration (called “pairing”) is required. Pairing enables this unit and other devices to recognize each other. This unit can connect two BLUETOOTH devices (two mobile phones, or a mobile phone and an audio device).



- 1 Press **MENU**, then rotate and press the control dial to select **[BLUETOOTH]** → **[PAIRING]** → **[DEVICE 1]/[DEVICE 2]\***.

 flashes while the unit is in pairing standby mode.

\* **[DEVICE 1]** or **[DEVICE 2]** will be changed to the paired device name after pairing is complete.

- 2 Perform pairing on the BLUETOOTH device so it detects this unit.
  - 3 Select your model name shown in the display of the BLUETOOTH device\*.  
When pairing is made,  stays lit.
- \* If passkey input is required on the BLUETOOTH device, input **[0000]**.

---

## Canceling the Demonstration Mode

You can cancel the demonstration display which appears when the source is off and the clock is displayed.

- 1 Press **MENU**, rotate the control dial to select **[GENERAL]**, then press it.
- 2 Rotate the control dial to select **[DEMO]**, then press it.
- 3 Rotate the control dial to select **[DEMO-OFF]**, then press it.  
The setting is complete.
- 4 Press **↶** (back) twice.  
The display returns to normal reception/play mode.

---

## Updating the Firmware

To update the firmware, visit the support site on the back cover, then follow the online instructions.

### Notes

- Using a USB device (not supplied) is required for updating the firmware. Store the updater in the USB device, and connect the device to the USB port, then perform the update operation.
- Updating the firmware takes a few minutes to complete. During the update, do not turn the ignition to the OFF position, nor remove the USB device.

## Additional Information

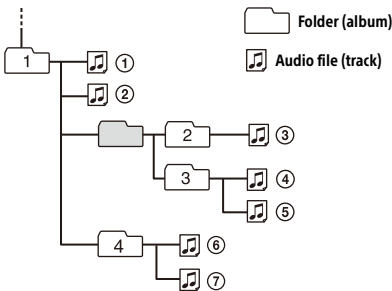
### Precautions

- Cool off the unit beforehand if your car has been parked in direct sunlight.
- Do not leave audio devices brought in inside the car, or it may cause malfunction due to high temperature in direct sunlight.
- Power antenna (aerial) extends automatically.

### To maintain high sound quality

Do not splash liquid onto the unit.

### Playback order of audio files



### About iPod

- You can connect to the following iPod models. Update your iPod devices to the latest software before use.

#### Compatible iPhone/iPod models

Compatible Model	Bluetooth®	USB
iPhone XR	✓	✓
iPhone Xs max	✓	✓
iPhone Xs	✓	✓
iPhone X	✓	✓
iPhone 8	✓	✓
iPhone 8 Plus	✓	✓
iPhone 7	✓	✓
iPhone 7 Plus	✓	✓
iPhone SE	✓	✓
iPhone 6s	✓	✓
iPhone 6s Plus	✓	✓
iPhone 6	✓	✓
iPhone 6 Plus	✓	✓
iPhone 5s	✓	✓
iPhone 5c	✓	✓
iPhone 5	✓	✓
iPhone 4s	✓	✓
iPod touch (6th generation)	✓	✓
iPod touch (5th generation)	✓	✓
iPod nano (7th generation)		✓

- Use of the Made for Apple badge means that an accessory has been designed to connect specifically to the Apple product(s) identified in the badge, and has been certified by the developer to meet Apple performance standards. Apple is not responsible for the operation of this device or its compliance with safety and regulatory standards. Please note that the use of this accessory with an Apple product may affect wireless performance.

If you have any questions or problems concerning your unit that are not covered in this manual, consult your nearest Sony dealer.

# Specifications

## Tuner section

### FM

Tuning range:

When [AREA] is set to [EUROPE]:  
87.5 MHz – 108.0 MHz

When [AREA] is set to [RUSSIA]:  
FM1/FM2: 87.5 MHz – 108.0 MHz  
(at 50 kHz step)

FM3: 65 MHz – 74 MHz (at 30 kHz step)

Usable sensitivity: 7 dBf

Signal-to-noise ratio: 73 dB

Separation: 50 dB at 1 kHz

### AM/LW

Tuning range:

531 kHz – 1,602 kHz (AM),  
153 kHz – 279 kHz (LW)

Sensitivity:

AM: 26  $\mu$ V,  
LW: 50  $\mu$ V

## USB Player section

Interface: USB (Full speed)

Maximum current: 1 A

Maximum number of recognizable folders and files:

Folders (albums): 256

Files (tracks) per folder: 256

Compatible Android Open Accessory protocol  
(AOA): 2.0

Corresponding codec:

MP3 (.mp3)

Bit rate: 8 kbps – 320 kbps (Supports VBR  
(Variable Bit Rate))

Sampling rate: 16 kHz – 48 kHz

WMA (.wma)

Bit rate: 32 kbps – 192 kbps (Supports VBR  
(Variable Bit Rate))

Sampling rate: 32 kHz, 44.1 kHz, 48 kHz

AAC (.m4a, .mp4)

Bit rate: 16 kbps – 320 kbps (stereo)

Sampling rate: 8 kHz – 48 kHz

FLAC (.flac)

Bit depth: 16 bit, 24 bit

Sampling rate: 44.1 kHz, 48 kHz

Supported file system: FAT16, FAT32

## Wireless Communication

Communication System:

BLUETOOTH Standard version 3.0

Output:

BLUETOOTH Standard Power Class 2  
(Max. Conducted +1 dBm)

Maximum communication range\*1:

Line of sight approx. 10 m (33 ft)

Frequency band:

2.4 GHz band (2.4000 GHz – 2.4835 GHz)

Modulation method: FHSS

Compatible BLUETOOTH Profiles\*2:

A2DP (Advanced Audio Distribution Profile) 1.3

AVRCP (Audio Video Remote Control Profile) 1.3

HFP (Handsfree Profile) 1.6

PBAP (Phone Book Access Profile)

SPP (Serial Port Profile)

Corresponding codec:

SBC (.sbc), AAC (.m4a)

\*1 The actual range will vary depending on factors such as obstacles between devices, magnetic fields around a microwave oven, static electricity, reception sensitivity, antenna (aerial)'s performance, operating system, software application, etc.

\*2 BLUETOOTH standard profiles indicate the purpose of BLUETOOTH communication between devices.

## Power amplifier section

Output: Speaker outputs

Speaker impedance: 4  $\Omega$  – 8  $\Omega$

Maximum power output: 55 W  $\times$  4 (at 4  $\Omega$ )

## General

Power requirements: 12 V DC car battery (negative ground (earth))

Rated current consumption: 10 A

Dimensions:

Approx. 178 mm  $\times$  100 mm  $\times$  177 mm  
(7 1/8 in  $\times$  4 in  $\times$  7 in) (w/h/d)

Mounting dimensions:

Approx. 182 mm  $\times$  111 mm  $\times$  159 mm  
(7 1/4 in  $\times$  4 3/8 in  $\times$  6 3/8 in) (w/h/d)

Mass: Approx. 1.0 kg (2 lb 4 oz)

Package contents:

Main unit (1)

Parts for installation and connections (1 set)

Optional accessories/equipment:

Cable for steering wheel remote input: RC-SR1

Ask the dealer for detailed information.

Design and specifications are subject to change without notice.



## Copyrights

The Bluetooth® word mark and logos are registered trademarks owned by the Bluetooth SIG, Inc. and any use of such marks by Sony Corporation is under license. Other trademarks and trade names are those of their respective owners.

Windows Media is either a registered trademark or trademark of Microsoft Corporation in the United States and/or other countries.

This product is protected by certain intellectual property rights of Microsoft Corporation. Use or distribution of such technology outside of this product is prohibited without a license from Microsoft or an authorized Microsoft subsidiary.

Apple, iPhone, iPod, iPod nano, iPod touch, and Siri are trademarks of Apple Inc., registered in the U.S. and other countries.

Android is a trademark of Google LLC.

### Cautions

- **Run all ground (earth) leads to a common ground (earth) point.**
- Do not get the leads trapped under a screw, or caught in moving parts (e.g., seat railing).
- Before making connections, turn the car ignition off to avoid short circuits.
- Connect the power supply leads ② to the unit and speakers before connecting it to the auxiliary power connector.
- Be sure to insulate any loose unconnected leads with electrical tape for safety.
- Choose the installation location carefully so that the unit will not interfere with normal driving operations.
- Avoid installing the unit in areas subject to dust, dirt, excessive vibration, or high temperature, such as in direct sunlight or near heater ducts.
- Use only the supplied mounting hardware for a safe and secure installation.

#### Note on the power supply lead (yellow)

When connecting this unit in combination with other stereo components, the amperage rating of the car circuit to which the unit is connected must be higher than the sum of each component's fuse amperage rating.

#### Note on installing in cars with a start-stop system

The unit may restart when starting the engine from start-stop. In this case, turn off the start-stop system of your car.

#### Mounting angle adjustment

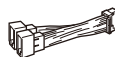
Adjust the mounting angle to less than 30°.

### Parts List for Installation

- ① Mounting screws  
(5 × max. 8 mm  
(7/32 × max. 5/16 in)) (4)



- ② Power supply leads (1)



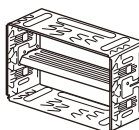
- ③ Microphone (1)



- ④ Double-sided tape (1)



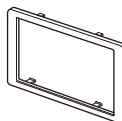
- ⑤ Mounting sleeve (1)



- ⑥ Release keys (2)

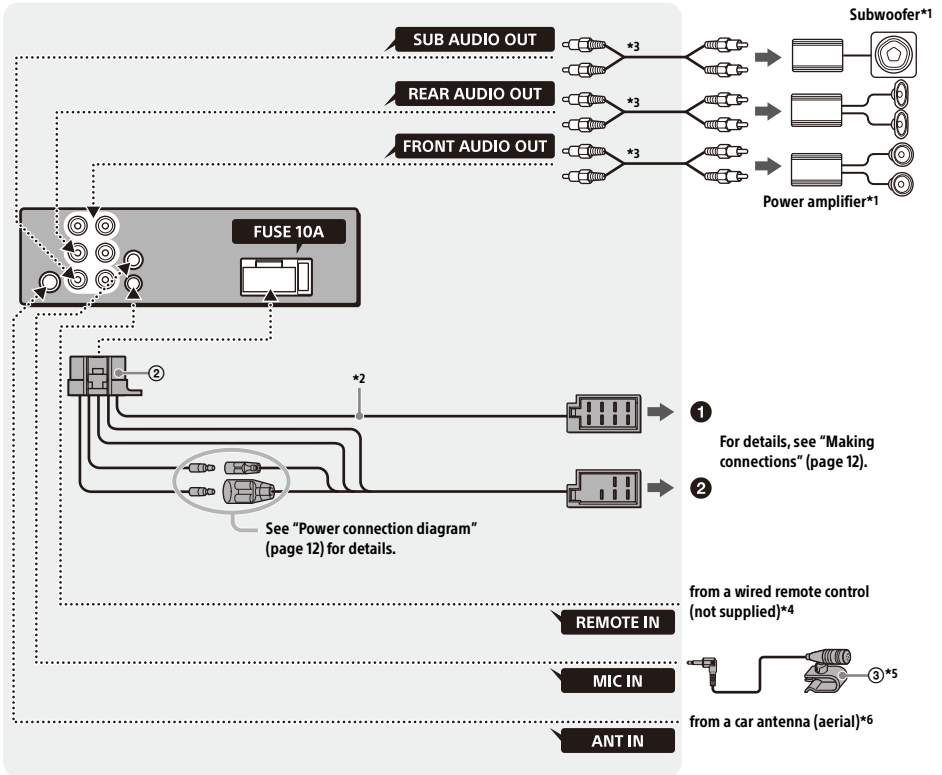


- ⑦ Trim ring (1)



- This parts list does not include all the package contents.
- The mounting sleeve ⑤ is attached to the unit before shipping. Before mounting the unit, use the release keys ⑥ to remove the mounting sleeve ⑤ from the unit. For details, see "Removing the mounting sleeve" (page 13).
- Keep the release keys ⑥ for future use as they are also necessary if you remove the unit from your car.

# Connection



\*1 Not supplied

\*2 Speaker impedance:  $4 \Omega$  to  $8 \Omega \times 4$

\*3 RCA pin cord (not supplied)

\*4 Depending on the type of car, use an adaptor for a wired remote control (not supplied).

For details on using the wired remote control, see "Using the wired remote control" (page 13).

\*5 Whether in use or not, route the microphone input cord such that it does not interfere with driving operations. Secure the cord with a clamp, etc., if it is installed around your feet.

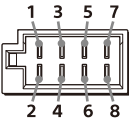
For details on installing the microphone, see "Installing the microphone" (page 13).

\*6 Depending on the type of car, use an adaptor (not supplied) if the antenna (aerial) connector does not fit.

## Making connections

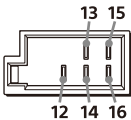
If you have a power antenna (aerial) without a relay box, connecting this unit with the supplied power supply leads ② may damage the antenna (aerial).

### ① To the car's speaker connector



1	Rear speaker (right)	⊕	Purple
2		⊖	Purple/black striped
3	Front speaker (right)	⊕	Gray
4		⊖	Gray/black striped
5	Front speaker (left)	⊕	White
6		⊖	White/black striped
7	Rear speaker (left)	⊕	Green
8		⊖	Green/black striped

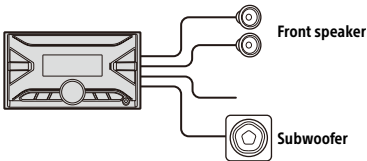
### ② To the car's power connector



12	continuous power supply	Yellow
13	power antenna (aerial) / power amplifier control (REM OUT)	Blue/white striped
14	switched illumination power supply	Orange/white striped
15	switched power supply	Red
16	ground (earth)	Black

## Subwoofer Easy Connection

You can use a subwoofer without a power amplifier when it is connected to a rear speaker lead.



### Notes

- Preparation of the rear speaker leads is required.
- Use a subwoofer with an impedance of 4 Ω to 8 Ω, and with adequate power handling capacities to avoid damage.

## Memory hold connection

When the yellow power supply lead is connected, power will always be supplied to the memory circuit even when the ignition switch is turned off.

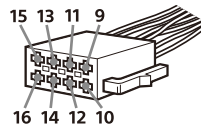
## Speaker connection

- Before connecting the speakers, turn the unit off.
- Use speakers with an impedance of 4 Ω to 8 Ω, and with adequate power handling capacities to avoid damage.

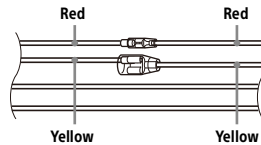
## Power connection diagram

Check your car's auxiliary power connector, and match the connections of leads correctly depending on the car.

### Auxiliary power connector

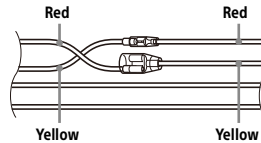


### Common connection



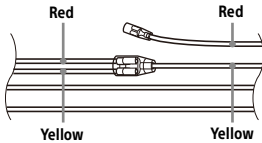
12	continuous power supply	Yellow
15	switched power supply	Red

### When the positions of the red and yellow leads are inverted



12	switched power supply	Yellow
15	continuous power supply	Red

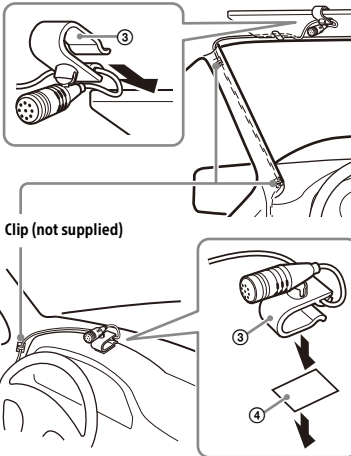
## When the car without ACC position



After matching the connections and switching power supply leads correctly, connect the unit to the car's power supply. If you have any questions and problems connecting your unit that are not covered in this manual, consult the car dealer.

## Installing the microphone

To capture your voice during handsfree calling, you need to install the microphone ③.



## Cautions

- It is extremely dangerous if the cord becomes wound around the steering column or gearstick. Be sure to keep it and other parts from interfering with your driving operations.
- If airbags or any other shock-absorbing equipment is in your car, contact the store where you purchased this unit, or the car dealer, before installation.

## Note

Before attaching the double-sided tape ④, clean the surface of the dashboard with a dry cloth.

## Using the wired remote control

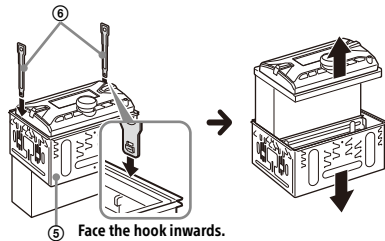
- 1 To enable the wired remote control, set [STR CONTROL] in [STEERING] to [PRESET].

## Installation

### Removing the mounting sleeve

Before installing the unit, remove the mounting sleeve ⑤ from the unit.

- 1 Insert both release keys ⑥ until they click, and pull down the mounting sleeve ⑤, then pull up the unit to separate.



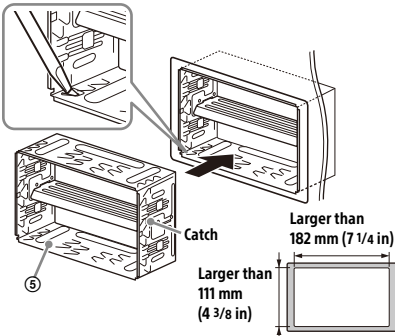
## Mounting the unit in the dashboard

For Japanese cars, see "Mounting the unit in a Japanese car" (page 14).

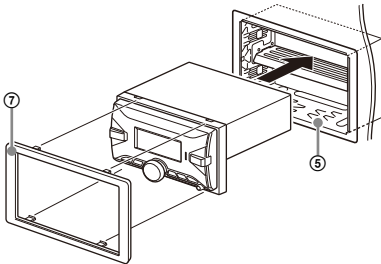
### Mounting the unit with the supplied mounting sleeve

Before installing, make sure the catches on both sides of the mounting sleeve ⑤ are bent inwards 3.5 mm (5/32 in).

- 1 Position the mounting sleeve ⑤ inside the dashboard, then bend the claws outward for a tight fit.



- 2 Mount the unit onto the mounting sleeve ⑤.

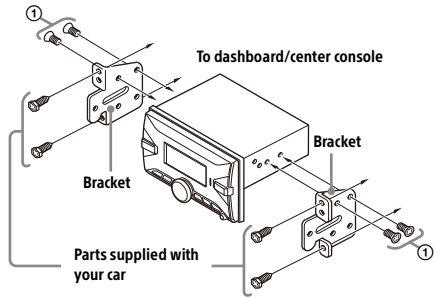


#### Note

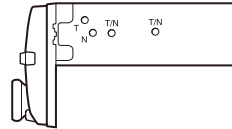
If the catches are straight or bent outwards, the unit will not be installed securely and may spring out.

## Mounting the unit in a Japanese car

You may not be able to install this unit in some makes of Japanese cars. In such a case, consult your Sony dealer.



When mounting this unit to the preinstalled brackets of your car, use the mounting screws ① in the appropriate screw holes based on your car: T for TOYOTA and N for NISSAN.



#### Note

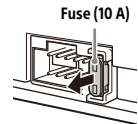
To prevent malfunction, install only with the mounting screws ①.

## Resetting the unit

For details, see "Resetting the Unit" (page 5).

## Fuse replacement

When replacing the fuse, be sure to use one matching the amperage rating stated on the original fuse. If the fuse blows, check the power connection and replace the fuse. If the fuse blows again after replacement, there may be an internal malfunction. In such a case, consult your nearest Sony dealer.





# Avertissement

Pour votre sécurité, veuillez installer cet appareil dans le tableau de bord de la voiture en tenant compte du fait que l'arrière de l'appareil chauffe en cours d'utilisation.

Pour de plus amples détails, reportez-vous à la section « Raccordement/Installation » (page 10).

Fabriqué en Thaïlande

La plaque signalétique reprenant la tension d'alimentation, etc. se trouve sur le dessous du châssis.

La validité du libellé CE se limite uniquement aux pays où la loi l'impose, principalement les pays de l'EEE (Espace économique européen) et la Suisse.

## **Avis à l'attention des clients : les informations suivantes s'appliquent uniquement aux appareils vendus dans des pays qui appliquent les directives de l'Union Européenne**

Ce produit a été fabriqué par ou pour le compte de Sony Corporation.

Importateur dans l'UE : Sony Europe B.V.

Les questions basées sur la législation européenne pour l'importateur ou relatives à la conformité des produits doivent être adressées au mandataire : Sony Belgium, bijkantoor van Sony Europe B.V., Da Vincilaan 7-D1, 1930 Zaventem, Belgique.



Le soussigné, Sony Corporation, déclare que cet équipement est conforme à la Directive 2014/53/UE.

Le texte complet de la déclaration UE de conformité est disponible à l'adresse internet suivante : <https://compliance.sony.eu>



**Elimination des piles et accumulateurs et des équipements électriques et électroniques usagés (applicable dans les pays de l'Union Européenne et dans les autres**

### **pays disposant de systèmes de collecte sélective)**

Ce symbole apposé sur le produit, la pile ou l'accumulateur, ou sur l'emballage, indique que le produit et les piles et accumulateurs fournis avec ce produit ne doivent pas être traités comme de simples déchets ménagers. Sur certains types de piles, ce symbole apparaît parfois combiné avec un symbole chimique. Le symbole pour le plomb (Pb) est rajouté lorsque ces piles contiennent plus de 0,004 % de plomb. En vous assurant que les

produits, piles et accumulateurs sont mis au rebut de façon appropriée, vous participez activement à la prévention des conséquences négatives que leur mauvais traitement pourrait provoquer sur l'environnement et sur la santé humaine. Le recyclage des matériaux contribue par ailleurs à la préservation des ressources naturelles. Pour les produits qui, pour des raisons de sécurité, de performance ou d'intégrité des données, nécessitent une connexion permanente à une pile ou à un accumulateur intégré(e), il conviendra de vous rapprocher d'un Service Technique qualifié pour effectuer son remplacement. En rapportant votre appareil électrique, les piles et accumulateurs en fin de vie à un point de collecte approprié vous vous assurez que le produit, la pile ou l'accumulateur intégré sera traité correctement. Pour tous les autres cas de figure et afin d'enlever les piles ou accumulateurs en toute sécurité de votre appareil, reportez-vous au manuel d'utilisation. Rapportez les piles et accumulateurs, et les équipements électriques et électroniques usagés au point de collecte approprié pour le recyclage. Pour toute information complémentaire au sujet du recyclage de ce produit ou des piles et accumulateurs, vous pouvez contacter votre municipalité, votre déchetterie locale ou le point de vente où vous avez acheté ce produit.

## **ATTENTION**

La plage de fréquences suivante 65 – 74 MHz n'est pas affectée à la diffusion du son dans la table des affectations communes européennes et ne peut pas être utilisée en Europe.

### **Avertissement au cas où le contact de votre voiture ne dispose pas d'une position ACC**

Veillez à activer la fonction AUTO OFF. L'appareil se met hors tension complètement et automatiquement à l'heure définie une fois qu'il est éteint et que l'horloge est affichée (c'est-à-dire en maintenant OFF enfoncé pendant 1 seconde), ce qui évite de décharger la batterie. Si vous ne réglez pas la fonction AUTO OFF, appuyez sur OFF et maintenez enfoncé jusqu'à ce que l'affichage disparaisse chaque fois que vous coupez le contact.

### **Avis d'exclusion de responsabilité relatif aux services proposés par des tiers**

Les services proposés par des tiers peuvent être modifiés, suspendus ou clôturés sans avis préalable. Sony n'assume aucune responsabilité dans ce genre de situation.



## Remarque importante

### Attention

SONY NE PEUT ÊTRE, EN AUCUN CAS, TENU POUR RESPONSABLE D'UN QUELCONQUE DOMMAGE ACCIDENTEL, INDIRECT OU ACCESSOIRE, OU DE TOUT AUTRE DOMMAGE, Y COMPRIS, MAIS SANS S'Y LIMITER, LA PERTE DE BÉNÉFICES, DE REVENUS, DE DONNÉES, DE JOUISSANCE DU PRODUIT OU DE TOUT ÉQUIPEMENT ASSOCIÉ, SON INDISPONIBILITÉ, ET LE TEMPS PERDU PAR L'ACHETEUR, LIÉ À OU RÉSULTANT DE L'UTILISATION DE CE PRODUIT, DE SES COMPOSANTS MATÉRIELS ET/OU LOGICIELS.

Cher client, ce produit contient un émetteur radio. Conformément au règlement UNECE n° 10, un fabricant automobile peut imposer certaines conditions particulières pour l'installation d'émetteurs radio dans ses véhicules. Veuillez vérifier le manuel d'utilisation de votre véhicule ou contactez le constructeur de votre véhicule ou votre concessionnaire, avant d'installer ce produit dans votre véhicule.

### Appels d'urgence

Le système BLUETOOTH mains libres embarqué et le dispositif électronique qui y est connecté fonctionnent grâce aux signaux radio, aux réseaux cellulaires et aux lignes terrestres, tout comme la fonction de programmation par l'utilisateur. La connexion n'est donc pas garantie en toutes circonstances.

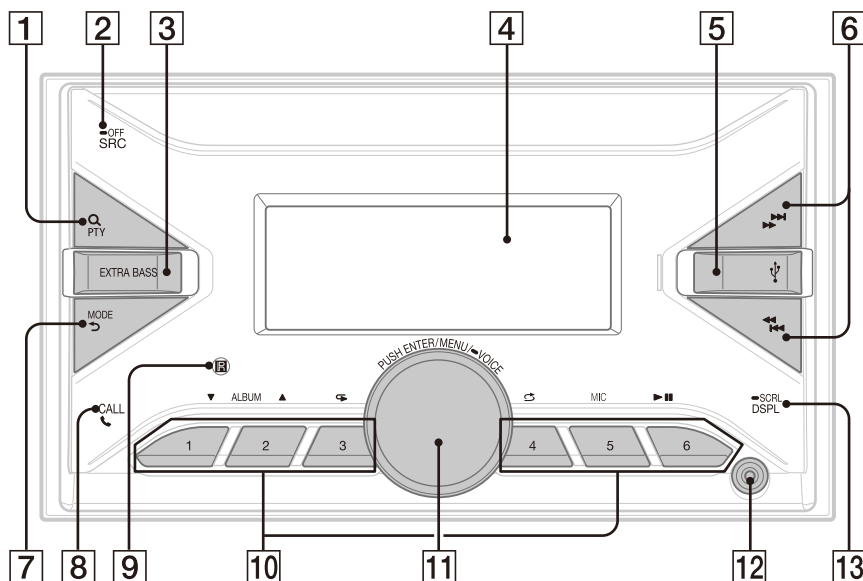
Par conséquent, ne vous reposez pas uniquement sur un dispositif électronique pour vos communications importantes (tels que les appels médicaux d'urgence).

### Communication par BLUETOOTH

- Les micro-ondes émises par un dispositif BLUETOOTH peuvent perturber le fonctionnement des dispositifs médicaux électroniques. Dans les circonstances qui suivent, mettez cet appareil, ainsi que les autres dispositifs BLUETOOTH présents, hors tension, car ils peuvent provoquer un accident.
  - En présence d'un gaz inflammable, dans un hôpital, un train, un avion ou une station-service
  - À proximité de portes automatiques ou d'un système de détection d'incendie
- Cet appareil prend en charge les fonctionnalités conformes à la norme BLUETOOTH afin de fournir une connexion sécurisée lorsque la technologie sans fil BLUETOOTH est utilisée. Mais, en fonction de l'environnement, la sécurité peut ne pas être suffisante. Soyez donc prudent lorsque vous communiquez en utilisant la technologie sans fil BLUETOOTH.
- Nous n'assumons aucune responsabilité en cas de fuite d'informations au cours d'une communication BLUETOOTH.

Si vous avez des questions concernant cet appareil ou si vous rencontrez des problèmes qui ne sont pas abordés dans ce mode d'emploi, contactez votre revendeur Sony le plus proche.

## Appareil principal



### 1 Q (recherche)

Pendant la lecture :  
Permet d'accéder au mode de recherche.  
(Non disponible quand un périphérique USB en mode Android™ ou un iPod est connecté.)

#### PTY (type d'émission)

Pendant la réception FM :  
Permet de sélectionner PTY dans RDS.

### 2 SRC (source)

Permet de mettre l'appareil sous tension.  
Permet aussi de changer de source.

#### OFF

Maintenez enfoncé pendant 1 seconde pour désactiver la source et afficher l'horloge.  
Maintenez enfoncé pendant plus de 2 secondes pour mettre l'appareil hors tension et pour faire disparaître l'affichage.

### 3 EXTRA BASS

Permet de renforcer les sons graves en synchronisation avec le niveau de volume.  
Appuyez pour modifier le réglage EXTRA BASS :  
[1], [2], [OFF].

### 4 Fenêtre d'affichage

### 5 Port USB

### 6 << / >> (SEEK +/-)

Pendant la réception radio :  
Permettent de régler des stations automatiquement.  
Maintenez enfoncé pour rechercher une station manuellement.

#### <<< / >>> (Précédent/Suivant)

#### <<< / >>> (Retour rapide/Avance rapide)

### 7 MODE

#### ↶ (retour)

Permet de revenir à l'affichage précédent.

### 8 CALL

Permet d'accéder au menu d'appel. Permet de recevoir/mettre fin à un appel.  
Maintenez enfoncé pendant plus de 2 secondes pour permuter le signal BLUETOOTH.

### 9 Récepteur de la télécommande

## 10 Touches numériques (1 à 6)

Permettent de recevoir les stations radio mémorisées.

Maintenez enfoncé pour mémoriser une station.

### ALBUM ▼/▲

Permettent de sauter un album pour le périphérique audio.

Maintenez enfoncé pour sauter des albums en continu.

(Non disponible quand un périphérique USB en mode Android ou un iPod est connecté.)

### ↶ (Répéter)

(Non disponible quand un périphérique USB en mode Android est connecté.)

### 🎲 (Aléatoire)

(Non disponible quand un périphérique USB en mode Android est connecté.)

### MIC

### ▶|| (Lecture/pause)

## 11 Molette de réglage

Permet de régler le volume.

### PUSH ENTER

Permet d'accéder à l'élément sélectionné.

Appuyez sur SRC, tournez puis appuyez pour modifier la source (délai de 2 secondes).

### MENU

Permet d'ouvrir le menu de configuration.

### ➡ VOICE

Maintenez enfoncé pendant plus de 2 secondes pour activer la numérotation vocale, la reconnaissance vocale (smartphone Android uniquement) ou la fonction Siri (iPhone uniquement).

## 12 Prise d'entrée AUX

## 13 DSPL (affichage)

Permet de changer les éléments d'affichage.


### ➡ SCRL (Défilement)

Maintenez enfoncé pour faire défiler un élément d'affichage.

## Opérations de base

## Réinitialisation de l'appareil

Avant la première mise en service de l'appareil ou après avoir remplacé la batterie du véhicule ou modifié les raccordements, vous devez réinitialiser l'appareil.

- 1 Appuyez sur DSPL et CALL  et maintenez enfoncé pendant plus de 2 secondes.

### Remarque

La réinitialisation de l'appareil remet l'heure à zéro et efface certaines informations mémorisées.

## Réglage de la zone/région

Après réinitialisation de l'appareil, l'affichage du paramétrage de la zone/région apparaît.

- 1 Appuyez sur ENTER pendant que [AREA] est affiché.  
La zone/région actuellement sélectionnée s'affiche.
- 2 Tournez la molette de réglage pour sélectionner [EUROPE] ou [RUSSIA], puis appuyez dessus.
- 3 Tournez la molette de réglage pour sélectionner [YES] ou [NO], puis appuyez dessus.  
Si le réglage de la zone/région est modifié, l'appareil est réinitialisé, puis l'horloge s'affiche.

Ce réglage peut être configuré dans le menu de configuration générale.

---

## Jumelage avec un périphérique BLUETOOTH

Lorsque vous connectez l'appareil à un périphérique BLUETOOTH pour la première fois, il est nécessaire qu'ils se reconnaissent mutuellement (c'est ce que l'on appelle le « jumelage »). Le jumelage permet à l'appareil et à d'autres périphériques de se reconnaître mutuellement. Cet appareil peut connecter deux périphériques BLUETOOTH (deux téléphones portables, ou bien un téléphone portable et un périphérique audio).



- 1 Appuyez sur MENU, puis faites tourner la molette de réglage et appuyez dessus pour sélectionner [BLUETOOTH] → [PAIRING] → [DEVICE 1]/[DEVICE 2]\*.

ⓧ clignote lorsque l'appareil est en mode de veille de jumelage.

\* [DEVICE 1] ou [DEVICE 2] fait place au nom du périphérique jumelé une fois le jumelage terminé.

- 2 Procédez au jumelage sur le périphérique BLUETOOTH afin qu'il détecte cet appareil.
  - 3 Sélectionnez le nom de votre modèle sur l'affichage du périphérique BLUETOOTH\*. Une fois le jumelage effectué, ⓧ reste allumé.
- \* Si la saisie d'une clé d'authentification est requise sur le périphérique BLUETOOTH, saisissez [0000].

---

## Désactivation du mode de démonstration

Vous pouvez désactiver l'écran de démonstration qui s'affiche lorsque la source est désactivée et que l'horloge est affichée.

- 1 Appuyez sur MENU, tournez la molette de réglage pour sélectionner [GENERAL], puis appuyez dessus.
- 2 Tournez la molette de réglage pour sélectionner [DEMO], puis appuyez dessus.

- 3 Tournez la molette de réglage pour sélectionner [DEMO-OFF], puis appuyez dessus.  
Le réglage est terminé.
- 4 Appuyez deux fois sur ↵ (Retour).  
L'affichage revient au mode de réception/lecture normal.

---

## Mise à jour du firmware

Pour mettre à jour le firmware, consultez le site d'assistance à l'adresse mentionnée sur la couverture arrière, puis suivez les instructions en ligne.

### Remarques

- La mise à jour du firmware nécessite une clé USB (non fournie). Copiez la mise à jour sur la clé USB, puis insérez la clé USB dans le port USB et exécutez l'opération de mise à jour.
- La mise à jour du firmware dure quelques minutes. Pendant la mise à jour, ne tournez pas la clé de contact sur la position OFF et ne retirez pas le périphérique USB.

## Informations complémentaires

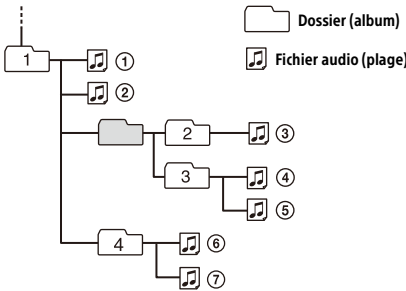
### Précautions

- Laissez l'appareil refroidir avant de l'utiliser si votre véhicule est resté stationné en plein soleil.
- Ne laissez pas des périphériques audio amovibles à l'intérieur du véhicule, car la haute température des rayons directs du soleil pourrait provoquer un dysfonctionnement.
- L'antenne électrique se déploie automatiquement.

### Pour préserver la haute qualité du son

Ne renversez pas de liquide sur l'appareil.

### Ordre de lecture des fichiers audio



## À propos de l'iPod

- Vous pouvez connecter les modèles d'iPod suivants. Effectuez la mise à jour du logiciel de vos périphériques iPod avant de les utiliser.

### Modèles iPhone/iPod compatibles

Modèle compatible	Bluetooth®	USB
iPhone XR	✓	✓
iPhone Xs max	✓	✓
iPhone Xs	✓	✓
iPhone X	✓	✓
iPhone 8	✓	✓
iPhone 8 Plus	✓	✓
iPhone 7	✓	✓
iPhone 7 Plus	✓	✓
iPhone SE	✓	✓
iPhone 6s	✓	✓
iPhone 6s Plus	✓	✓
iPhone 6	✓	✓
iPhone 6 Plus	✓	✓
iPhone 5s	✓	✓
iPhone 5c	✓	✓
iPhone 5	✓	✓
iPhone 4s	✓	✓
iPod touch (6ème génération)	✓	✓
iPod touch (5ème génération)	✓	✓
iPod nano (7ème génération)		✓

- L'utilisation du badge Made for Apple signifie qu'un accessoire a été conçu pour être raccordé spécifiquement au produit ou aux produits Apple identifiés dans le badge, et a été certifié par le constructeur pour satisfaire les normes de performance d'Apple. Apple n'est pas responsable du fonctionnement de cet appareil ni de sa conformité avec les consignes et normes de sécurité.

Veillez noter que l'utilisation de cet accessoire avec un produit Apple peut avoir un effet adverse sur les performances sans fil.

Si vous avez des questions concernant cet appareil ou si vous rencontrez des problèmes qui ne sont pas abordés dans ce mode d'emploi, contactez votre revendeur Sony le plus proche.

# Spécifications

## Radio

### FM

Plage de syntonisation :

Quand [AREA] est réglé sur [EUROPE] :  
87,5 MHz – 108,0 MHz

Quand [AREA] est réglé sur [RUSSIA] :  
FM1/FM2 : 87,5 MHz – 108,0 MHz  
(par pas de 50 kHz)

FM3 : 65 MHz – 74 MHz (par pas de 30 kHz)

Sensibilité utile : 7 dBf

Rapport signal/bruit : 73 dB

Séparation : 50 dB à 1 kHz

### AM/LW

Plage de syntonisation :

531 kHz – 1 602 kHz (AM),  
153 kHz – 279 kHz (LW)

Sensibilité :

AM : 26  $\mu$ V,

LW : 50  $\mu$ V

## Lecteur USB

Interface : USB (haute vitesse)

Courant maximal : 1 A

Nombre maximum de dossiers et fichiers

susceptibles d'être reconnus :

dossiers (albums) : 256

Fichiers (plages) par dossier : 256

Protocole AOA (Android Open Accessory)  
compatible : 2.0

Codec correspondant :

MP3 (.mp3)

Débit binaire : 8 kbits/s – 320 kbits/s (prise en  
charge de VBR (Variable Bit Rate))

Taux d'échantillonnage : 16 kHz – 48 kHz

WMA (.wma)

Débit binaire : 32 kbits/s – 192 kbits/s (prise en  
charge de VBR (Variable Bit Rate))

Taux d'échantillonnage : 32 kHz, 44,1 kHz,  
48 kHz

AAC (.m4a, .mp4)

Débit binaire : 16 Kbits/s – 320 Kbits/s (stéréo)

Taux d'échantillonnage : 8 kHz – 48 kHz

FLAC (.flac)

Profondeur de bit : 16 bits, 24 bits

Taux d'échantillonnage : 44,1 kHz, 48 kHz

Système de fichiers pris en charge : FAT16, FAT32

## Communication sans fil

Système de communication :  
norme BLUETOOTH version 3.0

Puissance :  
norme BLUETOOTH Classe de puissance 2  
(+1 dBm par conduction max.)

Portée de communication maximum \*1 :  
ligne de mire, environ 10 m

Bande de fréquence :  
bande de 2,4 GHz (2,4000 GHz - 2,4835 GHz)

Méthode de modulation : FHSS

Profil BLUETOOTH compatibles\*2 :

A2DP (Advanced Audio Distribution Profile) 1.3

AVRCP (Audio Video Remote Control Profile, profil  
de commande audio/vidéo à distance) 1.3

HFP (Handsfree Profile, profil mains libres) 1.6

PBAP (Phone Book Access Profile, profil d'accès au  
répertoire)

SPP (Serial Port Profile, profil de port série)

Codecs correspondants :

SBC (.sbc), AAC (.m4a)

\*1 La portée réelle varie en fonction de nombreux facteurs tels que la présence d'obstacles entre les appareils, les champs magnétiques autour des fours à micro-ondes, l'électricité statique, la sensibilité de la réception, les performances de l'antenne, le système d'exploitation, les applications logicielles, etc.

\*2 Les profils BLUETOOTH standard indiquent la finalité de la communication BLUETOOTH entre des périphériques.

## Amplificateur de puissance

Sortie : sorties haut-parleurs

Impédance des haut-parleurs : 4  $\Omega$  – 8  $\Omega$

Puissance de sortie maximale : 55 W  $\times$  4 (sous 4  $\Omega$ )

## Généralités

Alimentation requise : batterie de véhicule 12 V CC  
(masse négative)

Consommation nominale : 10 A

Dimensions :

environ 178 mm  $\times$  100 mm  $\times$  177 mm (l/h/p)

Dimensions de montage :

environ 182 mm  $\times$  111 mm  $\times$  159 mm (l/h/p)

Poids : environ 1,0 kg

Contenu de l'emballage :

Appareil principal (1)

Composants destinés à l'installation et au  
raccordement (1 jeu)

Accessoires/équipement optionnels :

Câble pour saisie à distance via le volant de  
direction : RC-SR1

Adressez-vous au concessionnaire pour tout  
renseignement complémentaire.

La conception et les spécifications sont sujettes à  
modification sans préavis.

## Copyrights

Les logos et la marque verbale Bluetooth® sont des marques déposées qui appartiennent à Bluetooth SIG, Inc. et qui sont utilisées par Sony Corporation sous licence uniquement. Les autres marques commerciales et noms commerciaux appartiennent à leurs propriétaires respectifs.

Windows Media est une marque ou une marque déposée de Microsoft Corporation aux Etats-Unis et/ou dans d'autres pays.

Ce produit est protégé par des droits de propriété intellectuelle de Microsoft Corporation. Toute utilisation ou diffusion de la technologie décrite sortant du cadre de l'utilisation de ce produit est interdite sans licence accordée par Microsoft ou une filiale autorisée de Microsoft.

Apple, iPhone, iPod, iPod nano, iPod touch et Siri sont des marques de Apple Inc., déposées aux Etats-Unis et dans d'autres pays/régions.

Android est une marque de Google LLC.

### Attention

- **Acheminez tous les fils de masse jusqu'à un point de masse commun.**
- Veillez à ce qu'aucun fil ne soit coincé sous une vis ou happé par des pièces mobiles (par exemple, une glissière de siège).
- Avant d'effectuer les raccordements, coupez le contact du véhicule pour éviter les courts-circuits.
- Raccordez le câble d'alimentation ② à l'appareil et aux haut-parleurs avant de le brancher sur le connecteur d'alimentation auxiliaire.
- Pour des raisons de sécurité, veillez à isoler avec du ruban isolant les extrémités libres des fils non raccordés.
- Choisissez soigneusement l'emplacement d'installation afin que l'appareil n'entrave pas la conduite normale.
- Évitez d'installer l'appareil dans des endroits soumis à la poussière, à la saleté, à des vibrations excessives ou à des températures élevées, notamment les rayons directs du soleil ou la proximité des conduites de chauffage.
- Utilisez exclusivement le matériel de fixation fourni afin de garantir une installation sûre.

#### Remarque sur le câble d'alimentation (jaune)

Lorsque vous raccordez cet appareil conjointement avec d'autres équipements stéréo, l'intensité nominale du circuit du véhicule auquel l'appareil est raccordé doit être supérieure à la somme des intensités nominales des fusibles de chaque composant.

#### Remarque sur l'installation dans des véhicules équipés d'un système Start-Stop

L'appareil peut redémarrer lorsque le moteur est démarré à partir du système Start-Stop. Si tel est le cas, désactivez le système Start-Stop de votre véhicule.

#### Réglage de l'angle de fixation

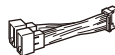
Réglez l'angle de fixation afin qu'il soit inférieur à 30°.

## Liste des pièces pour installation

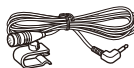
① Vis de montage  
(5 × max. 8 mm) (4)



② Câble d'alimentation (1)



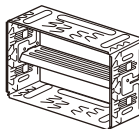
③ Microphone (1)



④ Adhésif double face (1)



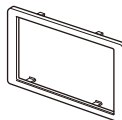
⑤ Encadrement de montage  
(1)



⑥ Clés de déblocage (2)



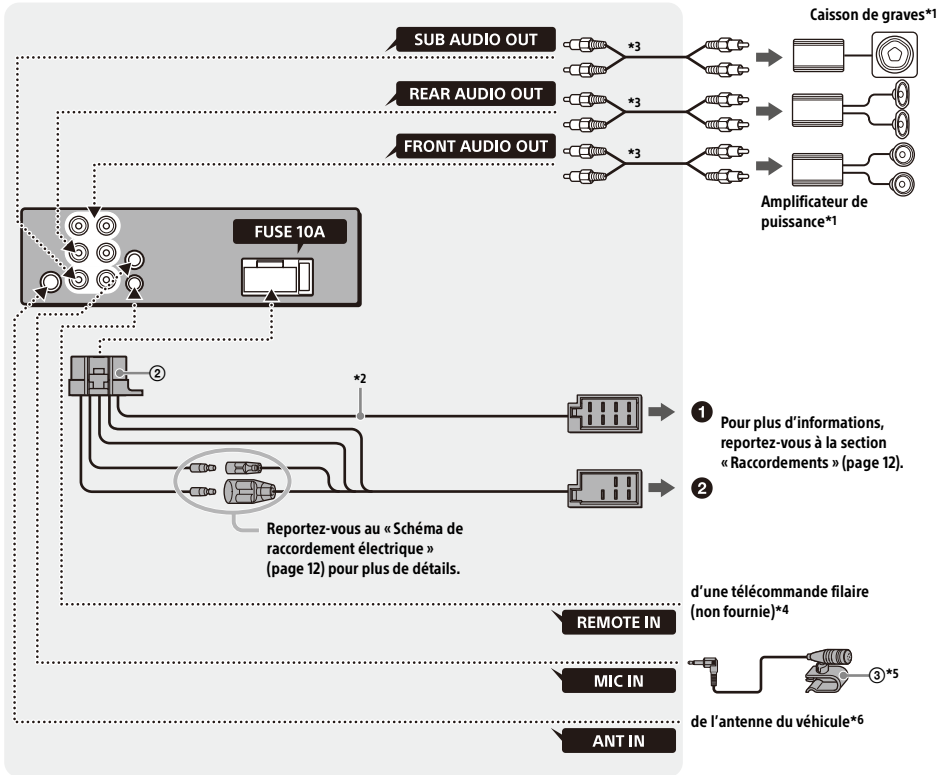
⑦ Garniture (1)



- Cette liste des pièces ne comprend pas tout le contenu de l'emballage.
- L'encadrement de montage ⑤ est fixé à l'appareil avant son expédition. Avant de monter l'appareil, utilisez les clés de déblocage ⑥ pour retirer l'encadrement de montage ⑤ de l'appareil. Pour plus de détails, reportez-vous à la section « Retrait de l'encadrement de montage » (page 13).
- Conservez les clés de déblocage ⑥, car vous en aurez besoin à l'avenir si vous décidez de retirer l'appareil de votre véhicule.



# Raccordement



\*1 Non fourni

\*2 Impédance des haut-parleurs :  $4 \Omega$  à  $8 \Omega \times 4$

\*3 Cordon à broches RCA (non fourni)

\*4 Selon le type de véhicule, utilisez un adaptateur pour la télécommande filaire (non fournie).  
Pour plus de détails sur l'utilisation de la télécommande, reportez-vous à la section « Utilisation de la télécommande filaire » (page 13).

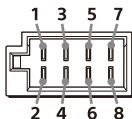
\*5 Qu'il soit utilisé ou non, acheminez le cordon de l'entrée micro de façon à ce qu'il n'interfère pas avec la conduite. Fixez le cordon avec un attache-câble ou autre s'il est installé près de vos pieds.  
Pour plus de détails sur l'installation du micro, reportez-vous à la section « Installation du micro » (page 13).

\*6 Selon le type de véhicule, utilisez un adaptateur (non fourni) si vous ne parvenez pas à brancher le connecteur d'antenne.

## Raccordements

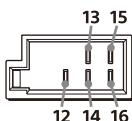
Si vous disposez d'une antenne électrique dépourvue de relais, vous risquez de l'endommager si vous raccordez cet appareil à l'aide du câble d'alimentation fourni ②.

### ① Vers le connecteur des haut-parleurs du véhicule



1	Haut-parleur arrière (droit)	⊕	Violet
2		⊖	Rayé violet/noir
3	Haut-parleur avant (droit)	⊕	Gris
4		⊖	Rayé gris/noir
5	Haut-parleur avant (gauche)	⊕	Blanc
6		⊖	Rayé blanc/noir
7	Haut-parleur arrière (gauche)	⊕	Vert
8		⊖	Rayé vert/noir

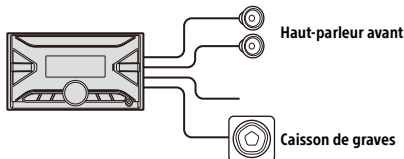
### ② Vers le connecteur d'alimentation du véhicule



12	alimentation permanente	Jaune
13	antenne électrique/ amplificateur de puissance (REM OUT)	Rayé bleu/blanc
14	alimentation de l'éclairage commutée	Rayé orange/blanc
15	alimentation commutée	Rouge
16	masse	Noir

## Connexion aisée d'un caisson de graves

Vous pouvez utiliser un caisson de graves sans amplificateur de puissance pour autant qu'il soit raccordé à un fil de haut-parleur arrière.



### Remarques

- La préparation des fils de haut-parleurs arrière est requise.

- Utilisez un caisson de graves dont l'impédance est comprise entre 4 Ω et 8 Ω et dont la puissance admissible est appropriée pour éviter qu'il soit endommagé.

## Raccordement de protection de la mémoire

Lorsque le câble d'alimentation jaune est raccordé, le circuit mémoire est toujours alimenté, même lorsque le contact est coupé.

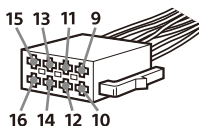
## Raccordement des haut-parleurs

- Avant de raccorder les haut-parleurs, mettez l'appareil hors tension.
- Utilisez des haut-parleurs dont l'impédance est comprise entre 4 Ω et 8 Ω et dont la puissance admissible est appropriée pour éviter qu'ils soient endommagés.

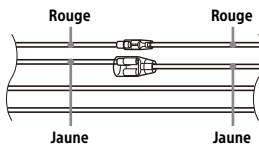
## Schéma de raccordement électrique

Vérifiez le connecteur d'alimentation auxiliaire de votre véhicule et faites correspondre correctement les raccordements en fonction du véhicule.

### Connecteur d'alimentation auxiliaire

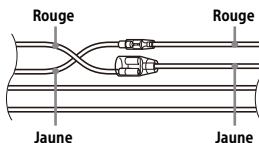


### Raccordement ordinaire



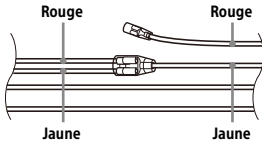
12	alimentation permanente	Jaune
15	alimentation commutée	Rouge

### Quand les positions des câbles rouge et jaune sont inversées



12	alimentation commutée	Jaune
15	alimentation permanente	Rouge

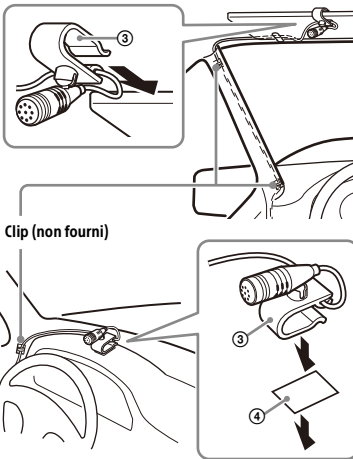
## Quand le véhicule est dépourvu de position ACC



Après avoir fait correspondre correctement les raccordements et les câbles d'alimentation commutée, raccordez l'appareil à l'alimentation du véhicule. Si vous avez des questions et si vous rencontrez des problèmes pour le raccordement de cet appareil qui ne sont pas abordés dans ce mode d'emploi, contactez votre concessionnaire automobile.

## Installation du micro

Pour capter votre voix lors d'un appel en mains libres, vous devez installer le micro ③.



### Attention

- Il est extrêmement dangereux d'avoir le cordon enroulé autour de la colonne de direction ou du levier de vitesses. Empêchez le cordon et d'autres composants d'interférer avec votre conduite.
- Si des airbags ou d'autres équipements anti-chocs se trouvent dans votre véhicule, contactez le magasin où vous avez acheté l'appareil ou le concessionnaire avant installation.

### Remarque

Avant de placer l'adhésif double face ④, nettoyez la surface du tableau de bord avec un chiffon sec.

## Utilisation de la télécommande filaire

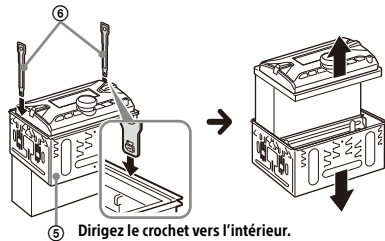
- 1 Pour activer la télécommande filaire, réglez [STR CONTROL] sous [STEERING] sur [PRESET].

## Installation

### Retrait de l'encadrement de montage

Avant d'installer l'appareil, retirez l'encadrement de montage ⑤ fixé à l'appareil.

- 1 Insérez les deux clés de déblocage ⑥ jusqu'à ce qu'elles émettent un déclic, poussez l'encadrement de montage vers le bas ⑤, puis dégagez l'appareil en le tirant vers le haut.



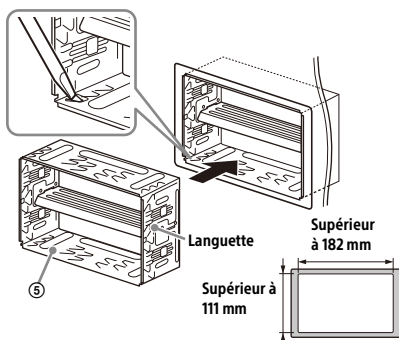
## Montage de l'appareil dans le tableau de bord

Pour les véhicules japonais, reportez-vous à la section « Montage de l'appareil dans un véhicule japonais » (page 14).

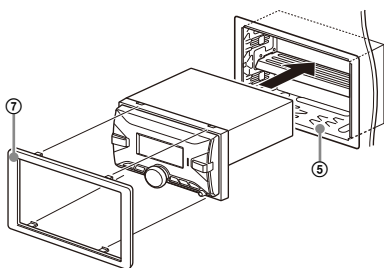
### Montage de l'appareil avec l'encadrement de montage fourni

Avant de procéder à l'installation, assurez-vous que les languettes des deux côtés de l'encadrement de montage ⑤ sont inclinées de 3,5 mm vers l'intérieur.

- 1 Positionnez l'encadrement de montage ⑤ à l'intérieur du tableau de bord, puis pliez les griffes vers l'extérieur pour un ajustement serré.



- 2 Installez l'appareil dans l'encadrement de montage ⑤.

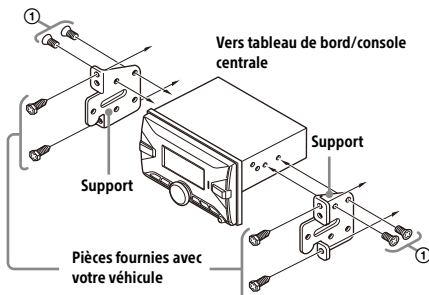


#### Remarque

Si les languettes sont droites ou si elles sont inclinées vers l'extérieur, l'appareil ne peut pas être installé correctement et il risque d'être expulsé.

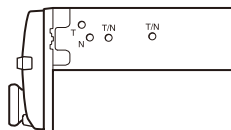
## Montage de l'appareil dans un véhicule japonais

Vous risquez de ne pas pouvoir installer cet appareil dans certains véhicules japonais. Dans ce cas, consultez votre revendeur Sony.



Pour installer cet appareil sur les supports préinstallés dans votre véhicule, installez les vis de montage ① dans les trous de vis appropriés à votre véhicule :

T pour TOYOTA et N pour NISSAN.



#### Remarque

Pour éviter tout dysfonctionnement, installez l'appareil uniquement avec les vis de montage ①.

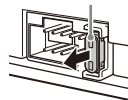
## Réinitialisation de l'appareil

Pour plus d'informations, reportez-vous à la section « Réinitialisation de l'appareil » (page 5).

## Remplacement du fusible

Lorsque vous remplacez le fusible, veillez à utiliser un fusible dont l'intensité nominale correspond à la valeur indiquée sur le fusible usagé. Si le fusible saute, vérifiez le branchement de l'alimentation et remplacez-le. Si le nouveau fusible saute également, il est possible que l'appareil soit défectueux. Dans ce cas, consultez votre revendeur Sony le plus proche.

#### Fusible (10 A)





## Warnung

Für mögliche spätere Service-Anfragen, notieren Sie sich bitte vor der Installation Ihres Gerätes hier die Seriennummer:

S/N: \_\_\_\_\_

Hinweis: Die 7-stellige Seriennummer finden Sie oben auf der Verpackung des Gerätes oder unten auf dem Gerät selber.

Installieren Sie das Gerät aus Sicherheitsgründen unbedingt im Armaturenbrett des Fahrzeugs, denn die Rückseite des Geräts erwärmt sich bei Betrieb.

Erläuterungen dazu finden Sie unter „Anschluss/Installation“ (Seite 10).

Hergestellt in Thailand

Das Typenschild mit Betriebsspannung usw. befindet sich an der Geräteunterseite.

Die Gültigkeit des CE-Zeichens beschränkt sich auf Länder, in denen es gesetzlich vorgeschrieben ist, hauptsächlich in Ländern des Europäischen Wirtschaftsraums (EWR) und der Schweiz.

### **Hinweis für Kunden: Die folgenden Informationen gelten nur für Geräte, die in Ländern verkauft werden, in denen EU-Richtlinien gelten**

Dieses Produkt wurde von oder für die Sony Corporation hergestellt.

EU Importeur: Sony Europe B.V.

Anfragen an den Importeur oder zur Produktkonformität auf Grundlage der Gesetzgebung in Europa senden Sie bitte an den Bevollmächtigten Sony Belgium, bijkantoor van Sony Europe B.V., Da Vincilaan 7-D1, 1930 Zaventem, Belgien.



Hiermit erklärt Sony Corporation, dass diese Funanlage der Richtlinie 2014/53/EU entspricht. Der vollständige Text der EU-Konformitätserklärung ist unter der folgenden Internetadresse verfügbar: <https://compliance.sony.eu>



### **Entsorgung von gebrauchten Batterien und Akkus und gebrauchten elektrischen und elektronischen Geräten (anzuwenden in den Ländern der Europäischen Union und anderen**

### **Ländern mit einem separaten Sammelsystem für diese Produkte)**

Das Symbol auf dem Produkt, der Batterie/dem Akku oder der Verpackung weist darauf hin, dass das Produkt oder die Batterie/der Akku nicht als normaler Haushaltsabfall zu behandeln sind. Ein zusätzliches chemisches Symbol Pb (Blei) unter der durchgestrichenen Mülltonne bedeutet, dass die Batterie/der Akku einen Anteil von mehr als 0,004 % Blei enthält. Durch Ihren Beitrag zum korrekten Entsorgen des Produktes und der Batterie/des Akkus schützen Sie die Umwelt und die Gesundheit Ihrer Mitmenschen. Umwelt und Gesundheit werden durch falsches Entsorgen gefährdet. Materialrecycling hilft, den Verbrauch von Rohstoffen zu verringern. Bei Produkten, die auf Grund ihrer Sicherheit, der Funktionalität oder als Sicherung vor Datenverlust eine ständige Verbindung zur eingebauten Batterie/zum eingebauten Akku benötigen, sollte die Batterie/der Akku nur durch qualifiziertes Servicepersonal ausgetauscht werden. Um sicherzustellen, dass das Produkt und die Batterie/der Akku korrekt entsorgt werden, geben Sie das Produkt zwecks Entsorgung an einer geeigneten Annahmestelle für das Recycling von elektrischen und elektronischen Geräten ab. Für alle anderen Batterien/Akkus entnehmen Sie die Batterie/den Akku bitte entsprechend dem Kapitel über die sichere Entfernung der Batterie/des Akkus. Geben Sie die Batterie/den Akku an einer geeigneten Annahmestelle für das Recycling von Batterien/Akkus ab. Weitere Informationen über das Recycling dieses Produkts oder der Batterie/des Akkus erhalten Sie von Ihrer Gemeinde, den kommunalen Entsorgungsbetrieben oder dem Geschäft, in dem Sie das Produkt gekauft haben. Hinweis für Lithiumbatterien: Bitte geben Sie nur entladene Batterien an den Sammelstellen ab. Wegen Kurzschlussgefahr überkleben Sie bitte die Pole der Batterie mit Klebestreifen. Sie erkennen Lithiumbatterien an den Abkürzungen Li oder CR.

### **ACHTUNG**

Der Frequenzbereich 65 – 74 MHz ist in der europäischen Frequenzbereichszuordnungstabelle keinem Hörfunk zugewiesen und kann in Europa nicht verwendet werden.

### **Warnhinweis, wenn die Zündung Ihres Fahrzeugs nicht über eine Zubehörposition (ACC oder I) verfügt**

Aktivieren Sie unbedingt die Abschaltautomat (AUTO OFF). Das Gerät schaltet sich nach dem Ausschalten und dem Anzeigen der Uhrzeit (d. h. halten Sie OFF 1 Sekunde lang gedrückt) innerhalb einer bestimmte Zeit automatisch vollständig aus, um die Autobatterie zu schonen. Wenn Sie die Abschaltautomat (AUTO OFF) nicht aktivieren, müssen Sie jedes Mal, wenn Sie die Zündung ausschalten, OFF gedrückt halten, bis die Anzeige ausgeblendet wird.

### **Haftungsausschluss für von Dritten angebotene Dienste**

Von Dritten angebotene Dienste können ohne vorherige Ankündigung geändert, ausgesetzt oder eingestellt werden. Sony übernimmt in diesen Fällen keine Haftung.

### **Wichtiger Hinweis**

#### **Vorsicht**

UNTER KEINEN UMSTÄNDEN ÜBERNIMMT SONY DIE HAFTUNG FÜR INDIREKTE, NEBEN-, FOLGE- ODER SONSTIGE SCHÄDEN. DIESER HAFTUNGSAUSSCHLUSS GILT OHNE JEDE EINSCHRÄNKUNG FÜR ENTGANGENEN GEWINN, ENTGANGENES EINKOMMEN, DATENVERLUST, NUTZUNGS-AUSFALL DES PRODUKTS ODER ZUGEHÖRIGER GERÄTE, AUSFALLZEITEN UND ZEITAUFWAND DES KÄUFERS, DIE AUF DIE VERWENDUNG DIESER PRODUKTS, DER HARDWARE UND/ODER SEINER SOFTWARE ZURÜCKGEHEN ODER IN VERBINDUNG DAMIT AUFTRETEN.

Hinweis für den Kunden: Diese Produkt umfasst einen Funksender.

Gemäß UNECE Regelung 10 kann ein Fahrzeughersteller bestimmte Bedingungen für die Installation von Funksendern in Fahrzeugen festlegen.

Bitte schlagen Sie in der Betriebsanleitung zum Fahrzeug nach oder wenden Sie sich an den Fahrzeughersteller, bevor Sie dieses Produkt im Fahrzeug installieren.

#### **Notrufe**

Diese BLUETOOTH-Freisprecheinrichtung für das Auto und das elektronische Gerät, das mit der Freisprecheinrichtung verbunden ist, arbeiten mit Funksignalen, Mobilfunk- und Festnetzen sowie benutzerprogrammierten Funktionen, bei denen nicht unter allen Umständen eine Verbindung garantiert werden kann.

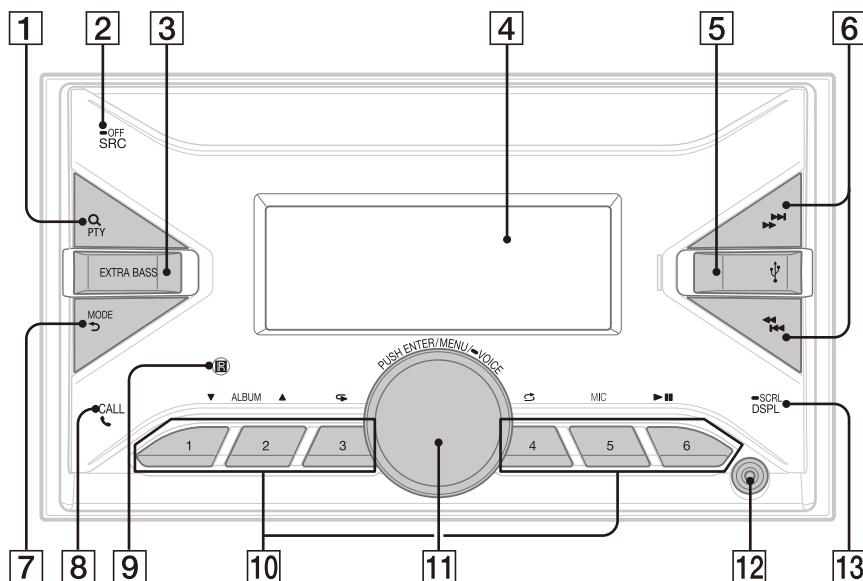
Verlassen Sie sich daher bei wichtigen Mitteilungen (wie z. B. medizinischen Notfällen) nicht ausschließlich auf elektronische Geräte.

### **BLUETOOTH-Kommunikation**

- Von einem BLUETOOTH-Gerät ausgehende Mikrowellen können den Betrieb von elektronischen medizinischen Geräten beeinflussen. Schalten Sie dieses Gerät und andere BLUETOOTH-Geräte an folgenden Orten aus. Andernfalls besteht Unfallgefahr.
  - An Orten mit entzündlichen Gasen, in einem Krankenhaus, Zug, Flugzeug oder an einer Tankstelle
  - In der Nähe von automatischen Türen oder Feuermeldern
- Dieses Gerät unterstützt dem BLUETOOTH-Standard entsprechende Sicherheitsfunktionen, um die Verbindungssicherheit bei BLUETOOTH-Funkverbindungen zu gewährleisten. Je nach Einstellung bieten diese jedoch möglicherweise keinen ausreichenden Schutz. Seien Sie bei der Kommunikation mit BLUETOOTH-Funktechnologie also vorsichtig.
- Für Sicherheitslücken bei der Übertragung von Informationen während der BLUETOOTH-Kommunikation kann keine Haftung übernommen werden.

Sollten an Ihrem Gerät Probleme auftreten oder sollten Sie Fragen haben, auf die in dieser Anleitung nicht eingegangen wird, wenden Sie sich bitte an Ihren Sony-Händler.

## Hauptgerät



### 1 Q (Suchen)

Während der Wiedergabe:  
Wechseln in den Suchmodus.  
(Nicht verfügbar, wenn ein USB-Gerät im Android™-Modus oder ein iPod angeschlossen ist.)

#### PTY (Programmtyp)

Beim UKW-Empfang (FM):  
Auswählen von PTY bei einem RDS-Sender.

### 2 SRC (Tonquelle)

Einschalten des Geräts.  
Wechseln der Tonquelle.

#### OFF

Wenn Sie die Taste 1 Sekunde lang gedrückt halten, wird die Tonquelle ausgeschaltet und die Uhrzeit angezeigt.

Wenn Sie die Taste mehr als 2 Sekunden lang gedrückt halten, schalten sich das Gerät und das Display aus.

### 3 EXTRA BASS

Verstärken von Bässen synchron mit dem Lautstärkepegel.  
Ändern Sie mit dieser Taste die EXTRA BASS-Einstellung: [1], [2], [OFF].

### 4 Display

### 5 USB-Anschluss

#### SEEK +/- (Suchen)

Beim Radioempfang:  
Automatisches Einstellen von Radiosendern.  
Zum manuellen Einstellen halten Sie diese Taste gedrückt.

#### ←/→ (Zurück/Weiter)

#### ←←/→→ (Schnelles Rückwärts-/Vorwärtssuchen)

### 7 MODE

#### ↶ (Zurück)

Zurückschalten zur vorherigen Anzeige.

### 8 CALL

Aufrufen des Anrufmenüs. Entgegennehmen/Beenden eines Anrufs.  
Zum Umschalten des BLUETOOTH-Signals halten Sie diese Taste länger als 2 Sekunden gedrückt.

### 9 Empfänger für die Fernbedienung



## 10 **Zahlentasten (Stationstasten) (1 bis 6)**

Einstellen gespeicherter Radiosender.  
Zum Speichern von Sendern halten Sie diese Taste gedrückt.

### **ALBUM ▼/▲**

Überspringen eines Albums auf einem Audiogerät.  
Zum Überspringen mehrerer Alben halten Sie die Taste gedrückt.  
(Nicht verfügbar, wenn ein USB-Gerät im Android-Modus oder ein iPod angeschlossen ist.)

### **↶ (Wiederholung)**

(Nicht verfügbar, wenn ein USB-Gerät im Android-Modus angeschlossen ist.)

### **🎲 (Zufall)**

(Nicht verfügbar, wenn ein USB-Gerät im Android-Modus angeschlossen ist.)

### **MIC**

### **▶|| (Wiedergabe/Pause)**

## 11 **Steuerregler**

Einstellen der Lautstärke.

### **PUSH ENTER**

Bestätigen der ausgewählten Option.  
Drücken Sie SRC, drehen Sie den Regler und drücken Sie dann darauf, um die Tonquelle zu wechseln (Zeitüberschreitung nach 2 Sekunden).

### **MENU**

Aufrufen des Setup-Menüs.

### **☛ VOICE**

Halten Sie den Regler länger als 2 Sekunden gedrückt, um die Sprachwahlfunktion, die Spracherkennung (nur Android-Smartphone) oder die Siri-Funktion (nur iPhone) zu aktivieren.

## 12 **AUX-Eingangsbuchse**

## 13 **DSPL (Anzeige)**

Wechseln der Informationen im Display.

### **☛ SCRL (Bildlauf)**

Zum Durchlaufenlassen der Informationen im Display halten Sie die Taste gedrückt.

## Grundfunktionen

## Zurücksetzen des Geräts

Bevor Sie das Gerät zum ersten Mal benutzen oder wenn Sie die Autobatterie ausgetauscht oder die Verbindungen gewechselt haben, müssen Sie das Gerät zurücksetzen.

### **1 Halten Sie DSPL und CALL länger als 2 Sekunden gedrückt.**

#### **Hinweis**

Wenn Sie das Gerät zurücksetzen, werden die eingestellte Uhrzeit und einige weitere gespeicherte Einstellungen gelöscht.

## Einstellen des Landes bzw. der Region

Nach dem Zurücksetzen des Geräts erscheint die Anzeige zum Einstellen des Landes bzw. der Region.

### **1 Drücken Sie ENTER, solange [AREA] angezeigt wird.**

Das zurzeit eingestellte Land bzw. die Region erscheint.

### **2 Drehen Sie den Steuerregler, um [EUROPE] oder [RUSSIA] auszuwählen, und drücken Sie anschließend den Steuerregler.**

### **3 Drehen Sie den Steuerregler, um [YES] oder [NO] auszuwählen, und drücken Sie anschließend den Steuerregler.**

Wenn die Einstellung für das Land bzw. die Region geändert wird, wird das Gerät zurückgesetzt und dann wird die Uhrzeit angezeigt.

Diese Einstellung kann im Menü mit den allgemeinen Einstellungen konfiguriert werden.

---

## Pairing mit einem BLUETOOTH-Gerät

Wenn Sie zum ersten Mal eine Verbindung zu einem BLUETOOTH-Gerät herstellen wollen, ist eine gegenseitige Registrierung (das so genannte „Pairing“) erforderlich. Durch das Pairing können dieses und andere Geräte einander erkennen. Sie können dieses Gerät mit zwei BLUETOOTH-Geräten verbinden (zwei Mobiltelefone oder ein Mobiltelefon und ein Audiogerät).



- 1 Drücken Sie MENU, drehen Sie den Steuerregler und drücken Sie ihn dann, um [BLUETOOTH] → [PAIRING] → [DEVICE 1]/[DEVICE 2]\* auszuwählen.

⊗ blinkt, wenn sich dieses Gerät im Bereitschaftsmodus für das Pairing befindet.

\* Nachdem das Pairing abgeschlossen ist, wird statt [DEVICE 1] oder [DEVICE 2] der Name des Geräts angezeigt, mit dem ein Pairing ausgeführt wurde.

- 2 Führen Sie das Pairing am BLUETOOTH-Gerät durch, sodass es dieses Gerät erkennt.

- 3 Wählen Sie die Bezeichnung Ihres Modells im Display des BLUETOOTH-Geräts\* aus.

Nach erfolgreichem Pairing leuchtet ⊗ stetig.

\* Wenn am BLUETOOTH-Gerät ein Passwort eingegeben werden muss, geben Sie [0000] ein.

---

## Beenden des Demo-Modus

Sie können die Demo, die bei ausgeschalteter Tonquelle und eingblendeter Uhrzeit angezeigt wird, abbrechen.

- 1 Drücken Sie MENU, drehen Sie den Steuerregler, um [GENERAL] auszuwählen, und drücken Sie anschließend den Steuerregler.
- 2 Drehen Sie den Steuerregler, um [DEMO] auszuwählen, und drücken Sie anschließend den Steuerregler.
- 3 Drehen Sie den Steuerregler, um [DEMO-OFF] auszuwählen, und drücken Sie anschließend den Steuerregler.  
Die Einstellung ist damit abgeschlossen.
- 4 Drücken Sie ↵ (Zurück) zweimal.  
Die Anzeige wechselt wieder in den normalen Empfangsmodus bzw. Wiedergabemodus.

---

## Aktualisieren der Firmware

Zum Aktualisieren der Firmware rufen Sie die Support-Website auf, die auf der hinteren Umschlagseite angegeben ist, und gehen nach den online angezeigten Anweisungen vor.

### Hinweise

- Zum Aktualisieren der Firmware wird ein USB-Gerät (nicht mitgeliefert) benötigt. Speichern Sie die Aktualisierungsdatei auf dem USB-Gerät, schließen Sie das Gerät an den USB-Anschluss an und führen Sie dann die Aktualisierung durch.
- Es dauert einige Minuten, bis die Firmwareaktualisierung abgeschlossen ist. Stellen Sie den Zündschlüssel während der Aktualisierung nicht in die Position OFF und entfernen Sie auch nicht das USB-Gerät.

## Weitere Informationen

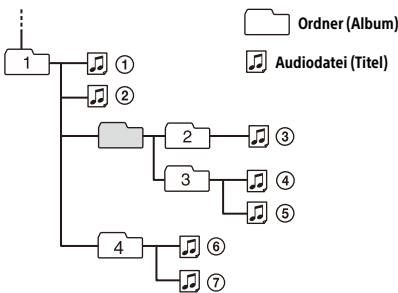
### Sicherheitsmaßnahmen

- Wenn das Fahrzeug längere Zeit in direktem Sonnenlicht geparkt war, lassen Sie das Gerät zunächst etwas abkühlen.
- Lassen Sie Audiogeräte, die Sie ins Fahrzeug mitgebracht haben, nicht darin liegen. Andernfalls kann es aufgrund hoher Temperaturen durch direkte Sonneneinstrahlung zu Fehlfunktionen kommen.
- Motorantennen werden automatisch ausgefahren.

### Aufrechterhalten der hohen Tonqualität

Achten Sie darauf, dass keine Flüssigkeiten auf das Gerät gelangen.

### Wiedergabereihenfolge von Audiodateien



## Der iPod

- Folgende iPod-Modelle können angeschlossen werden. Aktualisieren Sie Ihr iPod-Modell vor dem Gebrauch anhand der neuesten Software.

Kompatible iPhone-/iPod-Modelle

Kompatible Modell	Bluetooth®	USB
iPhone XR	✓	✓
iPhone Xs max	✓	✓
iPhone Xs	✓	✓
iPhone X	✓	✓
iPhone 8	✓	✓
iPhone 8 Plus	✓	✓
iPhone 7	✓	✓
iPhone 7 Plus	✓	✓
iPhone SE	✓	✓
iPhone 6s	✓	✓
iPhone 6s Plus	✓	✓
iPhone 6	✓	✓
iPhone 6 Plus	✓	✓
iPhone 5s	✓	✓
iPhone 5c	✓	✓
iPhone 5	✓	✓
iPhone 4s	✓	✓
iPod touch (6. Generation)	✓	✓
iPod touch (5. Generation)	✓	✓
iPod nano (7. Generation)		✓

- Die Verwendung des „Made for Apple“-Markenemblems bedeutet, dass ein Zubehör speziell für den Anschluss an das(die) Apple-Produkt(e) entwickelt wurde, die im Markenemblem bezeichnet sind, und vom Entwickler für die Erfüllung der Apple-Leistungsstandards zertifiziert wurde. Apple übernimmt keine Verantwortung für den Betrieb dieses Geräts oder dessen Einhaltung von Sicherheits- und gesetzlichen Standards. Bitte beachten, dass die Verwendung dieses Zubehörs mit einem Apple-Produkt die drahtlose Leistungsfähigkeit beeinträchtigen kann.

Sollten an Ihrem Gerät Probleme auftreten oder sollten Sie Fragen haben, auf die in dieser Anleitung nicht eingegangen wird, wenden Sie sich bitte an Ihren Sony-Händler.

# Technische Daten

## Tuner

### FM (UKW)

Empfangsbereich:

Wenn [AREA] auf [EUROPE] gesetzt ist:  
87,5 MHz – 108,0 MHz

Wenn [AREA] auf [RUSSIA] gesetzt ist:  
FM1/FM2: 87,5 MHz – 108,0 MHz  
(in Schritten von 50 kHz)

FM3: 65 MHz – 74 MHz (in Schritten von 30 kHz)

Nutzbare Empfindlichkeit: 7 dBf

Signal-Rauschabstand: 73 dB

Kanaltrennung: 50 dB bei 1 kHz

### AM/LW

Empfangsbereich:

531 kHz – 1.602 kHz (AM),

153 kHz – 279 kHz (LW)

Empfindlichkeit:

AM: 26  $\mu$ V,

LW: 50  $\mu$ V

## USB-Player

Schnittstelle: USB (Full-Speed)

Maximale Stromstärke: 1 A

Höchstzahl an erkennbaren Ordnern und Dateien:

Ordner (Alben): 256

Dateien (Titel) pro Ordner: 256

Kompatibles Android Open Accessory-Protokoll (AOA): 2.0

Entsprechender Codec:

MP3 (.mp3)

Bitrate: 8 Kbps – 320 Kbps (Unterstützt VBR (variable Bitrate))

Abtastrate: 16 kHz – 48 kHz

WMA (.wma)

Bitrate: 32 Kbps – 192 Kbps (Unterstützt VBR (variable Bitrate))

Abtastrate: 32 kHz, 44,1 kHz, 48 kHz

AAC (.m4a, .mp4)

Bitrate: 16 Kbps – 320 Kbps (stereo)

Abtastrate: 8 kHz – 48 kHz

FLAC (.flac)

Bittiefe: 16 Bit, 24 Bit

Abtastrate: 44,1 kHz, 48 kHz

Unterstütztes Dateisystem: FAT16, FAT32

## Drahtlose Kommunikation

Kommunikationssystem:

BLUETOOTH-Standard Version 3.0

Sendeleistung:

BLUETOOTH-Standard Leistungsklasse 2  
(max. +1 dBm leitungsgebunden)

Maximale Kommunikationsreichweite\*1:

Sichtlinie ca. 10 m

Frequenzband:

2,4-GHz-Frequenzband (2,4000 GHz - 2,4835 GHz)

Modulationsverfahren: FHSS

Kompatible BLUETOOTH-Profil\*2:

A2DP (Advanced Audio Distribution Profile) 1.3

AVRCP (Audio Video Remote Control Profile) 1.3

HFP (Handsfree Profile) 1.6

PBAP (Phone Book Access Profile)

SPP (Serial Port Profile)

Entsprechender Codec:

SBC (.sbc), AAC (.m4a)

\*1 Die tatsächliche Reichweite hängt von verschiedenen Faktoren ab, wie z. B. Hindernissen zwischen Geräten, Magnetfeldern um einen Mikrowellenherd, statischer Elektrizität, Empfangsempfindlichkeit, Leistung der Antenne, Betriebssystem, Softwareanwendung usw.

\*2 BLUETOOTH-Standardprofile geben den Zweck der BLUETOOTH-Kommunikation zwischen den Geräten an.

## Endverstärker

Ausgänge: Lautsprecherausgänge

Lautsprecherimpedanz: 4  $\Omega$  – 8  $\Omega$

Maximale Ausgangsleistung: 55 W  $\times$  4 (an 4  $\Omega$ )

## Allgemeines

Betriebsspannung: 12 V Gleichstrom, Autobatterie (negative Erdung)

Nennstromaufnahme: 10 A

Abmessungen:

ca. 178 mm  $\times$  100 mm  $\times$  177 mm (B/H/T)

Einbaumaße:

ca. 182 mm  $\times$  111 mm  $\times$  159 mm (B/H/T)

Gewicht: ca. 1,0 kg

Lieferumfang:

Hauptgerät (1)

Montageteile und Anschlusszubehör (1 Satz)

Sonderzubehör/gesondert erhältliche Geräte:

Kabel für Lenkradfernbedienungseingang: RC-SR1

Nähere Informationen dazu erhalten Sie beim Händler.

Änderungen, die dem technischen Fortschritt dienen, bleiben vorbehalten.

## Urheberrechte

Der Bluetooth®-Schriftzug und die Bluetooth-Logos sind eingetragene Markenzeichen und Eigentum der Bluetooth SIG, Inc., und ihre Verwendung durch die Sony Corporation erfolgt in Lizenz. Andere Markenzeichen und Produktnamen sind Eigentum der jeweiligen Rechteinhaber.

Windows Media ist ein eingetragenes Markenzeichen oder Markenzeichen der Microsoft Corporation in den USA und/oder anderen Ländern.

Dieses Produkt ist durch bestimmte gewerbliche Schutz- und Urheberrechte der Microsoft Corporation geschützt. Die Verwendung oder der Vertrieb derartiger Technologie außerhalb dieses Produkts ohne eine Lizenz von Microsoft oder einer autorisierten Microsoft-Niederlassung ist untersagt.

Apple, iPhone, iPod, iPod nano, iPod touch und Siri sind Markenzeichen der Apple Inc., die in den USA und anderen Ländern eingetragen sind.

Android ist eine Marke von Google LLC.

### Vorsichtsmaßnahmen

- **Schließen Sie alle Masseleitungen an einen gemeinsamen Massepunkt an.**
- Achten Sie darauf, dass die Leitungen nicht unter einer Schraube oder zwischen beweglichen Teilen, wie z. B. in einer Sitzschiene, eingeklemmt werden.
- Schalten Sie, bevor Sie irgendwelche Anschlüsse vornehmen, die Zündung des Fahrzeugs aus, um Kurzschlüsse zu vermeiden.
- Schließen Sie die Stromversorgungsleitungen ② an dieses Gerät und die Lautsprecher an, bevor Sie sie an den Hilfsstromanschluss anschließen.
- Aus Sicherheitsgründen müssen alle losen, nicht angeschlossenen Leitungen mit Isolierband abgeklebt werden.
- Wählen Sie den Einbauort sorgfältig so aus, dass das Gerät beim Fahren nicht hinderlich ist.
- Installieren Sie das Gerät nicht an einer Stelle, an der es Staub, Schmutz, übermäßigen Erschütterungen oder hohen Temperaturen ausgesetzt ist, wie z. B. in direktem Sonnenlicht oder in der Nähe der Heizung.
- Verwenden Sie ausschließlich die mitgelieferten Montageteile. Nur mit diesen Teilen lässt sich das Gerät sicher montieren.

#### Hinweis zur Stromversorgungsleitung (gelb)

Wenn Sie dieses Gerät zusammen mit anderen Stereokomponenten anschließen, muss der Autostromkreis, an den die Geräte angeschlossen sind, einen höheren Ampere-Wert aufweisen als die Summe der Ampere-Werte der Sicherungen an den einzelnen Komponenten.

#### Hinweis zur Installation in Fahrzeugen mit Start-Stopp-System

Wenn der Motor nach einem automatischen Stopp wieder anspringt, startet dieses Gerät unter Umständen neu. Schalten Sie in diesem Fall das Start-Stopp-System Ihres Autos aus.

#### Einstellen des Montagewinkels

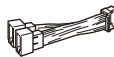
Achten Sie darauf, dass der Montagewinkel geringer ist als 30°.

### Teileliste für die Installation

- ① Befestigungsschrauben  
(5 × max. 8 mm)  
(4)



- ② Stromversorgungsleitung  
(1)



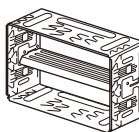
- ③ Mikrophon (1)



- ④ Doppelseitiges Klebeband  
(1)



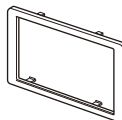
- ⑤ Montagerahmen (1)



- ⑥ Löseschlüssel (2)

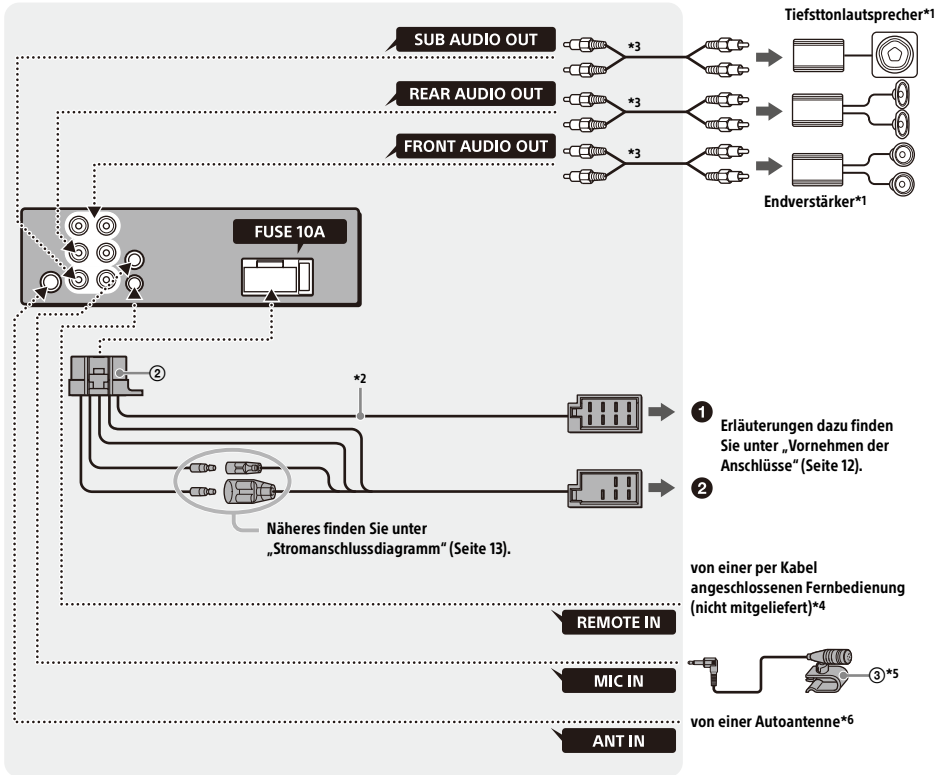


- ⑦ Zierblende (1)



- In dieser Teileliste ist nicht der gesamte Inhalt der Packung aufgeführt.
- Der Montagerahmen ⑤ wird vor der Auslieferung am Gerät angebracht. Vor dem Montieren des Geräts entfernen Sie mit den Löseschlüsseln ⑥ den Montagerahmen ⑤ vom Gerät. Einzelheiten dazu finden Sie unter „Abnehmen des Montagerahmens“ (Seite 14).
- Bewahren Sie die Löseschlüssel ⑥ zur späteren Verwendung auf. Sie benötigen sie auch, wenn Sie das Gerät aus dem Fahrzeug ausbauen wollen.

# Anschlüsse



\*1 Nicht mitgeliefert

\*2 Lautsprecherimpedanz:  $4 \Omega$  bis  $8 \Omega \times 4$

\*3 Cinchkabel (nicht mitgeliefert)

\*4 Verwenden Sie je nach Fahrzeugtyp einen Adapter für eine per Kabel angeschlossene Fernbedienung (nicht mitgeliefert). Einzelheiten zum Verwenden der Kabelfernbedienung finden Sie unter „Verwenden der Kabelfernbedienung“ (Seite 13).

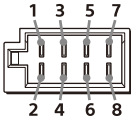
\*5 Führen Sie das Mikrofoneingangskabel so, dass es beim Fahren nicht hinderlich ist, unabhängig davon, ob es gerade in Gebrauch ist oder nicht. Sichern Sie das Kabel mit einer Kabelklemme usw., falls es durch den Fußraum geführt werden muss. Weitere Informationen zum Installieren des Mikrofons finden Sie unter „Installieren des Mikrofons“ (Seite 13).

\*6 Verwenden Sie je nach Fahrzeugtyp einen Adapter (nicht mitgeliefert), wenn der Antennenanschluss nicht passt.

## Vornehmen der Anschlüsse

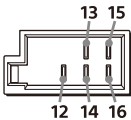
Wenn Sie eine Motorantenne ohne Relaiskästchen verwenden und dieses Gerät mit den mitgelieferten Stromversorgungsleitungen ② anschließen, kann die Antenne beschädigt werden.

### ① An den Lautsprecheranschluss des Fahrzeugs



1	Hecklautsprecher (rechts)	⊕	Violett
2		⊖	Violett-schwarz gestreift
3	Frontlautsprecher (rechts)	⊕	Grau
4		⊖	Grau-schwarz gestreift
5	Frontlautsprecher (links)	⊕	Weiß
6		⊖	Weiß-schwarz gestreift
7	Hecklautsprecher (links)	⊕	Grün
8		⊖	Grün-schwarz gestreift

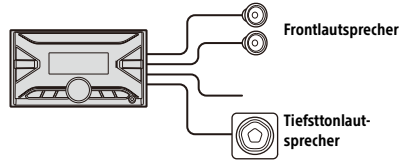
### ② An den Stromanschluss des Fahrzeugs



12	Kontinuierliche Stromversorgung	Gelb
13	Steuerung für Motorantenne/ Endverstärker (REM OUT)	Blau-weiß gestreift
14	Geschaltete Stromversorgung für die Beleuchtung	Orange-weiß gestreift
15	Geschaltete Stromversorgung	Rot
16	Masse	Schwarz

## Einfaches Anschließen eines Tiefsttonlautsprechers

Sie können einen Tiefsttonlautsprecher ohne Endverstärker installieren, indem Sie ihn einfach an ein Hecklautsprecherkabel anschließen.



### Hinweise

- Die Hecklautsprecherkabel müssen vorbereitet werden.
- Verwenden Sie einen Tiefsttonlautsprecher mit einer Impedanz zwischen 4 Ω und 8 Ω und mit ausreichender Belastbarkeit, um Schäden zu vermeiden.

## Anschluss für Stromversorgung des Speichers

Wenn die gelbe Stromversorgungsleitung angeschlossen ist, wird der Speicher stets (auch bei ausgeschalteter Zündung) mit Strom versorgt.

## Lautsprecheranschluss

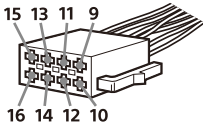
- Schalten Sie das Gerät vor dem Anschließen der Lautsprecher aus.
- Verwenden Sie Lautsprecher mit einer Impedanz zwischen 4 Ω und 8 Ω und mit ausreichender Belastbarkeit, um Schäden zu vermeiden.



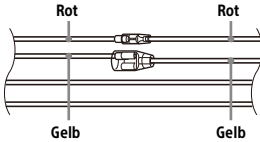
## Stromanschlußdiagramm

Stellen Sie die Position des Hilfsstromanschlusses bei Ihrem Fahrzeug fest und nehmen Sie die Anschlüsse entsprechend dem Fahrzeug richtig vor.

### Hilfsstromanschluß

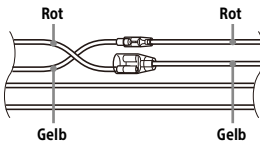


### Normaler Anschluß



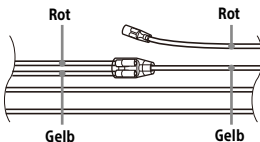
12	Kontinuierliche Stromversorgung	Gelb
15	Geschaltete Stromversorgung	Rot

### Wenn die Position der roten und gelben Leitung vertauscht ist



12	Geschaltete Stromversorgung	Gelb
15	Kontinuierliche Stromversorgung	Rot

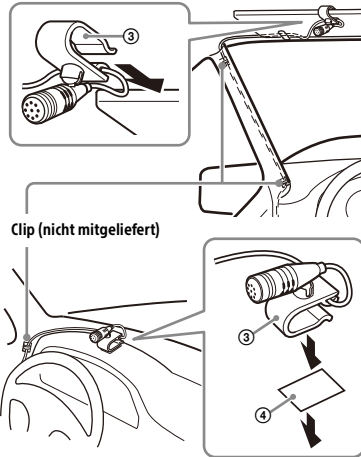
### Bei einem Fahrzeug mit Zündschloß ohne Zubehörposition ACC oder I



Stellen Sie die Anschlüsse her, schließen Sie die geschalteten Stromversorgungsleitungen richtig an und verbinden Sie dann das Gerät mit der Stromversorgung des Fahrzeugs. Sollten beim Anschließen des Geräts Probleme auftreten oder sollten Sie Fragen haben, auf die in dieser Anleitung nicht eingegangen wird, wenden Sie sich bitte an den Fahrzeughändler.

## Installieren des Mikrofons

Damit bei Freisprechanrufen Ihre Stimme übertragen werden kann, müssen Sie das Mikrofon ③ installieren.



### Vorsichtsmaßnahmen

- Es ist sehr gefährlich, wenn sich das Kabel um die Lenksäule oder den Schalthebel wickelt. Achten Sie unbedingt darauf, dass das Kabel und andere Teile beim Fahren nicht hinderlich sind.
- Wenn Ihr Auto mit Airbags oder anderen Aufprallschutzsystemen ausgestattet ist, wenden Sie sich vor der Installation an den Händler, bei dem Sie dieses Gerät erworben haben, oder an den Autohändler.

### Hinweis

Reinigen Sie die Oberfläche des Armaturenbretts mit einem trockenen Tuch, bevor Sie das doppelseitige Klebeband ④ anbringen.

## Verwenden der Kabelfernbedienung

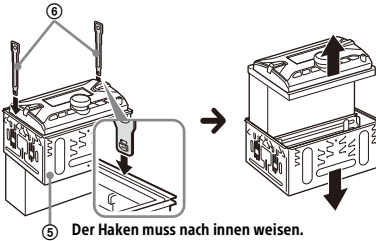
- 1 Zum Aktivieren der Kabelfernbedienung setzen Sie [STR CONTROL] unter [STEERING] auf [PRESET].

# Installation

## Abnehmen des Montagerahmens

Nehmen Sie vor dem Installieren des Geräts den Montagerahmen ⑤ vom Gerät ab.

- 1 Führen Sie die beiden Löseschlüssel ⑥ ein, bis sie mit einem Klicken einrasten. Ziehen Sie den Montagerahmen ⑤ nach unten und das Gerät zum Herausziehen nach oben.



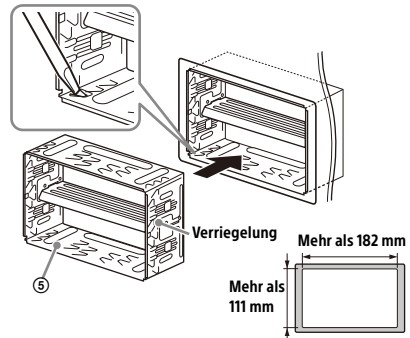
## Montieren des Geräts im Armaturenbrett

Informationen zum Vorgehen bei japanischen Fahrzeugen finden Sie unter „Montieren des Geräts in einem japanischen Fahrzeug“ (Seite 15).

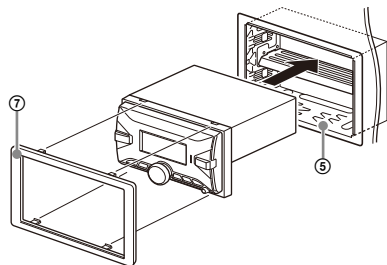
## Montieren des Geräts mit dem mitgelieferten Montagerahmen

Vergewissern Sie sich vor der Montage, dass die Verriegelungen an beiden Seiten des Montagerahmens ⑤ um 3,5 mm nach innen gebogen sind.

- 1 Platzieren Sie den Montagerahmen ⑤ im Armaturenbrett und biegen Sie dann die Klammern nach außen, um einen sicheren Halt zu gewährleisten.



- 2 Montieren Sie das Gerät am Montagerahmen ⑤.

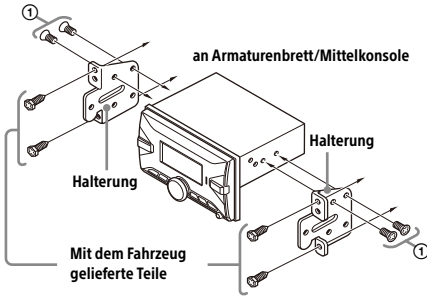


### Hinweis

Wenn die Verriegelungen gerade oder nach außen gebogen sind, ist das Gerät nicht sicher installiert und kann herausrutschen.

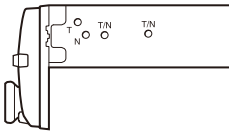
## Montieren des Geräts in einem japanischen Fahrzeug

Dieses Gerät lässt sich möglicherweise in einigen Modellen japanischer Fahrzeughersteller nicht einbauen. Wenden Sie sich in einem solchen Fall an Ihren Sony-Händler.



Wenn Sie dieses Gerät an den eingebauten Halterungen des Fahrzeugs montieren, befestigen Sie es mit den Befestigungsschrauben ① in den für den jeweiligen Fahrzeugtyp geeigneten Schraubenbohrungen:

T für TOYOTA und N für NISSAN.



### Hinweis

Um Fehlfunktionen zu vermeiden, verwenden Sie zum Einbauen des Geräts nur die Befestigungsschrauben ①.

## Zurücksetzen des Geräts

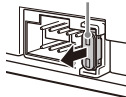
Erläuterungen dazu finden Sie unter „Zurücksetzen des Geräts“ (Seite 5).

## Austauschen der Sicherung

Wenn Sie eine Sicherung austauschen, achten Sie darauf, eine Ersatzsicherung mit dem gleichen Ampere-Wert wie die Originalsicherung zu verwenden. Dieser ist auf der Originalsicherung angegeben.

Wenn die Sicherung durchbrennt, überprüfen Sie den Stromanschluss und tauschen die Sicherung aus. Brennt die neue Sicherung ebenfalls durch, kann eine interne Fehlfunktion vorliegen. Wenden Sie sich in einem solchen Fall an Ihren Sony-Händler.

Sicherung (10 A)



## Advertencia

Por motivos de seguridad, asegúrese de instalar esta unidad en el salpicadero del automóvil, ya que la parte posterior de la misma se calienta durante su uso.

Para obtener más información, consulte "Conexión/Instalación" (página 10).

Fabricado en Tailandia

La placa de características que indica el voltaje de funcionamiento, etc., está situada en la parte inferior del chasis.

La validez de la marca CE está limitada a aquellos países en los que la legislación la impone, principalmente los países del EEE (Espacio económico europeo) y Suiza.

### **Aviso para los clientes: la información siguiente resulta de aplicación solo a los equipos comercializados en países afectados por las directivas de la UE**

Este producto ha sido fabricado por, o en nombre de Sony Corporation.

Importador UE: Sony Europe B.V.

Las consultas relacionadas con el Importador a la UE o con la conformidad del producto en Europa deben dirigirse al representante autorizado por el fabricante, Sony Belgium, bijkantoor van Sony Europe B.V., Da Vincilaan 7-D1, 1930 Zaventem, Bélgica.



Por la presente, Sony Corporation declara que este equipo es conforme con la Directiva 2014/53/UE.

El texto completo de la declaración UE de conformidad está disponible en la dirección Internet siguiente:

<https://compliance.sony.eu>



**Tratamiento de las baterías y equipos eléctricos y electrónicos al final de su vida útil (aplicable en la Unión Europea y otros países con sistemas de tratamiento selectivo de residuos)**

Este símbolo en el producto, la batería o el embalaje indica que el producto y la batería no pueden tratarse como un residuo doméstico normal. En algunas baterías este símbolo puede utilizarse en combinación con un símbolo químico. Se añadirá el símbolo químico del plomo (Pb) si la batería contiene más del 0,004 % de plomo. Al asegurarse de que estos productos y baterías se desechan correctamente, ayudará a prevenir las posibles consecuencias negativas para la salud y el

medio ambiente que podrían derivarse de su incorrecta manipulación. El reciclaje de los materiales ayuda a preservar los recursos naturales. En el caso de productos, que por razones de seguridad, rendimiento o mantenimiento de datos, requieran una conexión permanente con la batería incorporada, esta batería deberá reemplazarse únicamente por personal técnico cualificado para ello. Para asegurarse de que la batería se desecha correctamente, entregue estos productos al final de su vida útil en un punto de recogida adecuado para el reciclado de aparatos eléctricos y electrónicos. Para el resto de baterías, consulte la sección donde se indica cómo extraer la batería del producto de forma segura. Deposite la batería en el correspondiente punto de recogida para el reciclado de baterías. Si desea obtener información detallada sobre el reciclaje de este producto o de la batería, póngase en contacto con el ayuntamiento, el punto de recogida más cercano o el establecimiento donde ha adquirido el producto o la batería.

### **PRECAUCIÓN**

El intervalo de frecuencias siguiente de 65 – 74 MHz no está destinado a la retransmisión de sonido según el cuadro de atribución de frecuencias común europeo y no puede utilizarse en Europa.

### **Advertencia: si el encendido del automóvil no dispone de una posición ACC**

Asegúrese de seleccionar la función AUTO OFF. La unidad se apagará totalmente y de forma automática en el tiempo definido después de apagar la unidad y una vez que aparezca el reloj (mantenga pulsado OFF durante 1 segundo), para evitar que se agote la batería. Si no utiliza la función AUTO OFF, mantenga pulsado OFF hasta que desaparezca la imagen cada vez que apague el contacto.

### **Nota legal acerca de los servicios prestados por otros proveedores**

Los servicios prestados por otros proveedores están sujetos a cambios, anulaciones o interrupciones sin previo aviso. Sony no asume responsabilidad alguna en estas situaciones.

## Aviso importante

### Precaución

SONY NO SE HACE RESPONSABLE EN NINGÚN CASO DE DAÑOS ACCIDENTALES, INDIRECTOS, COLATERALES O DE OTRO TIPO, LO QUE INCLUYE, A TÍTULO MERAMENTE ENUNCIATIVO, LA PÉRDIDA DE BENEFICIOS, LA PÉRDIDA DE INGRESOS, LA PÉRDIDA DE DATOS, LA IMPOSIBILIDAD DE UTILIZAR EL PRODUCTO O EQUIPOS ASOCIADOS, EL TIEMPO DE INACTIVIDAD O EL TIEMPO DEL COMPRADOR EN RELACIÓN CON LA UTILIZACIÓN DE ESTE PRODUCTO, SU HARDWARE Y/O SU SOFTWARE.

Tenga en cuenta que este producto incluye un transmisor de radio.

Según la norma 10 de UNECE, un fabricante de un vehículo puede imponer condiciones específicas para la instalación de transmisores de radio en los vehículos.

Consulte el manual de instrucciones de su vehículo o póngase en contacto con el concesionario de su vehículo antes de instalar este producto en su vehículo.

### Llamadas de emergencia

Este sistema manos libres para vehículo BLUETOOTH y el dispositivo electrónico conectado al mismo funcionan mediante señales de radio, redes de telefonía móvil y redes terrestres, así como a través de funciones programadas por el usuario, por lo que la conexión no está garantizada en todas las condiciones.

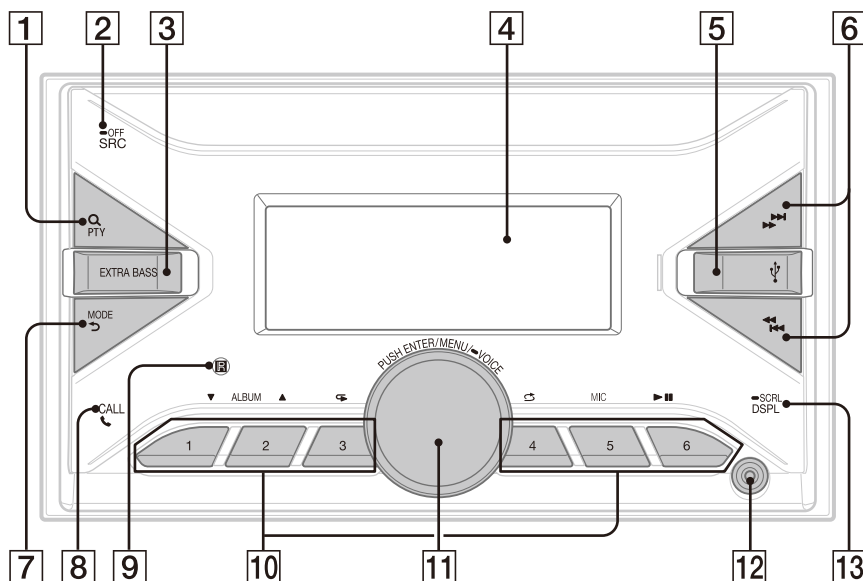
Por tanto, no confíe exclusivamente en un solo dispositivo electrónico para las comunicaciones importantes (como las emergencias médicas).

### Acerca de la comunicación BLUETOOTH

- Las microondas generadas por un dispositivo BLUETOOTH pueden afectar al funcionamiento de los dispositivos médicos electrónicos. Apague la unidad y otros dispositivos BLUETOOTH en los siguientes lugares, ya que podría sufrir un accidente.
  - en lugares con presencia de gases inflamables, un hospital, un tren, un avión o una gasolinera
  - cerca de puertas automáticas o de una alarma de incendios
- Esta unidad es compatible con prestaciones de seguridad conformes con la norma BLUETOOTH para proporcionar una conexión segura cuando se utiliza la conexión inalámbrica BLUETOOTH, pero es posible que la seguridad no sea suficiente en función del entorno. Extreme las precauciones al comunicarse mediante la tecnología inalámbrica BLUETOOTH.
- No asumimos responsabilidad alguna por la divulgación de información durante la comunicación BLUETOOTH.

Si desea realizar alguna consulta o solucionar algún problema relativo a la unidad que no se trate en este manual, póngase en contacto con su distribuidor Sony más cercano.

## Unidad principal



### 1 Q (buscar)

Durante la reproducción:  
Accede al modo de búsqueda.  
(No disponible si hay conectado un dispositivo USB en modo Android™ o un iPod.)

#### PTY (tipo de programa)

Durante la recepción FM:  
Selecciona PTY en RDS.

### 2 SRC (fuente)

Enciende la unidad.  
Cambia de fuente.

#### OFF

Mantenga el botón pulsado durante 1 segundo para desactivar la fuente y mostrar el reloj.  
Mantenga el botón pulsado durante más de 2 segundos para apagar la unidad y la pantalla.

### 3 EXTRA BASS

Refuerza el sonido de graves de forma sincronizada con el nivel de volumen.  
Pulse este botón para cambiar el ajuste de EXTRA BASS: [1], [2], [OFF].

### 4 Visor

### 5 Puerto USB

### 6 <<</>>> (SEEK +/-)

Durante la recepción de radio:  
Sintoniza emisoras de radio de forma automática.  
Manténgalo pulsado para sintonizarlas de forma manual.

#### <<</>>> (anterior/siguiente)

#### <<</>>> (retroceso/avance rápido)

### 7 MODE

#### ↶ (atrás)

Vuelve a la pantalla anterior.

### 8 CALL

Permite acceder al menú de llamada. Permite recibir/finalizar una llamada.  
Mantenga el botón pulsado durante más de 2 segundos para cambiar la señal BLUETOOTH.

### 9 Receptor del mando a distancia

## 10 Botones numéricos (de 1 a 6)

Permite recibir emisoras de radio presintonizadas.  
Manténgalo pulsado para presintonizar emisoras.

### ALBUM ▼/▲

Salta un álbum de un dispositivo de audio. Manténgalo pulsado para saltar álbumes de forma continua.  
(No disponible si hay conectado un dispositivo USB en modo Android o un iPod.)

### ↺ (repetición)

(No disponible si hay conectado un dispositivo USB en modo Android.)

### 🎲 (aleatorio)

(No disponible si hay conectado un dispositivo USB en modo Android.)

### MIC

### ▶|| (reproducción/pausa)

## 11 Dial de control

Ajusta el volumen.

### PUSH ENTER

Permite acceder a la opción seleccionada. Pulse SRC, gírelo y púlselo para cambiar de fuente (en un máximo de 2 segundos).

### MENU

Abre el menú de configuración.

### 🗣️ VOICE

Manténgalo pulsado durante más de 2 segundos para activar la marcación por voz, el reconocimiento de voz (solo en smartphone Android) o la función Siri (solo iPhone).

## 12 Toma de entrada AUX

## 13 DSPL (visor)

Permite cambiar las opciones mostradas.

### ➡ SCRL (desplazamiento)

Mantenga pulsado este botón para desplazarse por una opción mostrada.

## Operaciones básicas

### Reinicio de la unidad

Debe reiniciar la unidad antes de utilizarla por primera vez, después de sustituir la batería del vehículo o de cambiar las conexiones.

#### 1 Mantenga pulsado DSPL y CALL durante más de 2 segundos.

#### Nota

Si pulsa el botón de reinicio, se borrará el ajuste del reloj y algunos contenidos almacenados.

### Ajuste de la región

Después de reiniciar la unidad, aparece la pantalla de ajuste de la región.

#### 1 Pulse ENTER mientras aparece [AREA].

Aparece la región seleccionada actualmente.

#### 2 Gire el dial de control para seleccionar [EUROPE] o [RUSSIA] y púlselo.

#### 3 Gire el dial de control para seleccionar [YES] o [NO] y púlselo.

Si se modifica la región, la unidad se reinicia y aparece el reloj.

Este ajuste puede configurarse en el menú de configuración general.

---

## Emparejamiento con un dispositivo BLUETOOTH

Al conectar un dispositivo BLUETOOTH por primera vez, debe realizar un registro compartido (llamado "emparejamiento"). El emparejamiento permite que esta unidad y otros dispositivos se reconozcan mutuamente. Esta unidad puede conectar dos dispositivos BLUETOOTH (dos teléfonos móviles, o un móvil y un dispositivo de audio).



- 1 Pulse MENU y, a continuación, gire y pulse el dial de control para seleccionar [BLUETOOTH] → [PAIRING] → [DEVICE 1]/[DEVICE 2]\*.**

⊗ parpadea mientras la unidad está en modo de espera de emparejamiento.

\* El nombre [DEVICE 1] o [DEVICE 2] cambiará al del dispositivo emparejado una vez que el emparejamiento se haya completado.

- 2 Realice el emparejamiento en el dispositivo BLUETOOTH para que detecte esta unidad.**
- 3 Seleccione el nombre de su modelo, que aparece en la pantalla del dispositivo BLUETOOTH.\***

Cuando se realiza el emparejamiento, ⊗ permanece encendido.

\* Si el dispositivo BLUETOOTH requiere una clave de acceso, introduzca [0000].

---

## Cancelación del modo de demostración

Puede cancelar la pantalla de demostración que aparece cuando la fuente está desactivada y aparece el reloj.

- 1 Pulse MENU, gire el dial de control para seleccionar [GENERAL] y, a continuación, púselo.**
- 2 Gire el dial de control para seleccionar [DEMO] y púselo.**
- 3 Gire el dial de control para seleccionar [DEMO-OFF] y púselo.**  
El ajuste habrá finalizado.
- 4 Pulse ↩ (atrás) dos veces.**  
La pantalla vuelve al modo de recepción/reproducción normal.

---

## Actualización del firmware

Para actualizar el firmware, visite el sitio web de soporte técnico en línea de la contraportada y siga las instrucciones.

### Notas

- Es necesario un dispositivo USB (no incluido) para actualizar el firmware. Guarde el archivo de actualización en el dispositivo USB y conecte el dispositivo al puerto USB para realizar la actualización.
- La actualización del firmware lleva unos minutos. Durante la actualización, no sitúe el contacto en la posición OFF ni desconecte el dispositivo USB.



## Información adicional

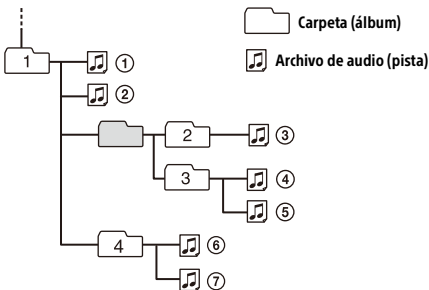
### Precauciones

- Deje primero que se enfríe la unidad si ha aparcado el coche bajo la luz directa del sol.
- No deje dispositivos de audio en el interior del vehículo, ya que podrían estropearse a causa de las elevadas temperaturas provocadas por la luz directa del sol.
- La antena motorizada se extiende automáticamente.

### Para mantener una calidad de sonido elevada

No derrame líquidos sobre la unidad.

### Orden de reproducción de archivos de audio



## Acerca del iPod

- Puede conectarse a los siguientes modelos de iPod. Actualice sus dispositivos iPod a la última versión de software antes de utilizarlos.

### Modelos de iPhone/iPod compatibles

Modelo compatible	Bluetooth®	USB
iPhone XR	✓	✓
iPhone Xs max	✓	✓
iPhone Xs	✓	✓
iPhone X	✓	✓
iPhone 8	✓	✓
iPhone 8 Plus	✓	✓
iPhone 7	✓	✓
iPhone 7 Plus	✓	✓
iPhone SE	✓	✓
iPhone 6s	✓	✓
iPhone 6s Plus	✓	✓
iPhone 6	✓	✓
iPhone 6 Plus	✓	✓
iPhone 5s	✓	✓
iPhone 5c	✓	✓
iPhone 5	✓	✓
iPhone 4s	✓	✓
iPod touch (6.ª generación)	✓	✓
iPod touch (5.ª generación)	✓	✓
iPod nano (7.ª generación)		✓

- El uso de la insignia Made for Apple significa que un accesorio ha sido diseñado para conectarse específicamente al producto o a los productos Apple identificados en la insignia, y ha sido certificado por el fabricante de que cumple las normas de rendimiento de Apple. Apple no se hace responsable por el funcionamiento de este dispositivo o su cumplimiento con normas de seguridad y regulatorias.

Tenga en cuenta que el uso de este accesorio con un producto Apple puede afectar el rendimiento inalámbrico.

Si desea realizar alguna consulta o solucionar algún problema relativo a la unidad que no se trate en este manual, póngase en contacto con su distribuidor Sony más cercano.

# Especificaciones

## Sección del sintonizador

### FM

Rango de sintonización:

Si [AREA] está ajustado en [EUROPE]:  
87,5 MHz – 108,0 MHz

Si [AREA] está ajustado en [RUSSIA]:  
FM1/FM2: 87,5 MHz – 108,0 MHz  
(en pasos de 50 kHz)

FM3: 65 MHz – 74 MHz (en pasos de 30 kHz)

Sensibilidad: 7 dBf

Relación señal-ruido: 73 dB

Separación: 50 dB a 1 kHz

### AM/LW

Rango de sintonización:

531 kHz – 1.602 kHz (AM),  
153 kHz – 279 kHz (LW)

Sensibilidad:

AM: 26  $\mu$ V,

LW: 50  $\mu$ V

## Sección del reproductor USB

Interfaz: USB (velocidad completa)

Orientación máxima: 1 A

Número máximo de carpetas y archivos reconocibles:

Carpetas (álbumes): 256

Archivos (pistas) por carpeta: 256

Protocolo Android Open Accessory (AOA) compatible: 2.0

Códec correspondiente:

MP3 (.mp3)

Velocidad de bits: 8 kbps – 320 kbps (compatible con VBR (velocidad de bits variable))

Frecuencia de muestreo: 16 kHz – 48 kHz

WMA (.wma)

Velocidad de bits: 32 kbps – 192 kbps

(compatible con VBR (velocidad de bits variable))

Frecuencia de muestreo: 32 kHz, 44,1 kHz, 48 kHz

AAC (.m4a, .mp4)

Velocidad de bits: 16 kbps – 320 kbps (estéreo)

Frecuencia de muestreo: 8 kHz – 48 kHz

FLAC (.flac)

Profundidad de bits: 16 bits, 24 bits

Frecuencia de muestreo: 44,1 kHz, 48 kHz

Sistema de archivos compatible: FAT16, FAT32

## Comunicación inalámbrica

Sistema de comunicación:

Norma BLUETOOTH versión 3.0

Salida:

Norma BLUETOOTH, clase de potencia 2  
(Conducción máx. +1 dBm)

Rango máximo de comunicación\*1:

Línea de visión de aprox. 10 m

Banda de frecuencias:

Banda de 2,4 GHz (2,4000 GHz – 2,4835 GHz)

Método de modulación: FHSS

Perfiles BLUETOOTH compatibles\*2:

A2DP (Perfil de distribución de audio avanzada)  
1.3

AVRCP (Perfil de control remoto de audio/vídeo)  
1.3

HFP (Perfil de manos libres) 1.6

PBAP (Perfil de acceso a agenda telefónica)

SPP (Perfil de puerto de serie)

Códec correspondiente:

SBC (.sbc), AAC (.m4a)

\*1 La cobertura real variará en función de factores como los obstáculos entre dispositivos, los campos magnéticos alrededor de un horno microondas, la electricidad estática, la sensibilidad de la recepción, el rendimiento de la antena, el sistema operativo, la aplicación del software, etc.

\*2 Los perfiles estándar de BLUETOOTH indican la finalidad de la comunicación BLUETOOTH entre dispositivos.

## Sección del amplificador de potencia

Salidas: salidas de altavoz

Impedancia de altavoz: 4  $\Omega$  – 8  $\Omega$

Salida de potencia máxima: 55 W  $\times$  4 (a 4  $\Omega$ )

## General

Requisitos de alimentación: batería para vehículo de 12 V CC (masa negativa)

Consumo de corriente nominal: 10 A

Dimensiones:

Aprox. 178 mm  $\times$  100 mm  $\times$  177 mm (an./al./pr.)

Dimensiones de montaje:

Aprox. 182 mm  $\times$  111 mm  $\times$  159 mm (an./al./pr.)

Peso: aprox. 1,0 kg

Contenidos del paquete:

Unidad principal (1)

Componentes de instalación y conexiones  
(1 juego)

Accesorios/equipos opcionales:

Cable para entrada de mando a distancia en el volante: RC-SR1

Para obtener más información, consulte al distribuidor.

El diseño y las especificaciones pueden variar sin previo aviso.

## Derechos de autor

La marca y los logotipos Bluetooth® son marcas comerciales registradas propiedad de Bluetooth SIG, Inc. y Sony Corporation dispone de la licencia correspondiente para utilizar dichas marcas. Las otras marcas comerciales y nombres de marcas pertenecen a sus respectivos propietarios.

Windows Media es una marca comercial o marca comercial registrada de Microsoft Corporation en los Estados Unidos y en otros países.

Este producto está protegido por determinados derechos de propiedad intelectual de Microsoft Corporation. Queda prohibido el uso o distribución de esta tecnología fuera de este producto sin las licencias correspondientes de Microsoft o una filial autorizada de Microsoft.

Apple, iPhone, iPod, iPod nano, iPod touch y Siri son marcas comerciales de Apple Inc., registradas en Estados Unidos y otros países.

Android es una marca comercial de Google LLC.

### Precauciones

- **Dirija todos los cables de masa a un punto de masa común.**
- Evite que los cables queden atrapados bajo un tornillo o en piezas móviles (p. ej., rieles de asientos).
- Antes de establecer conexiones, apague el motor del automóvil para evitar cortocircuitos.
- Conecte los cables de alimentación ② a la unidad y los altavoces antes de conectarlos al conector de alimentación auxiliar.
- Asegúrese de aislar los cables no conectados sueltos con cinta aislante para mayor seguridad.
- Elija cuidadosamente el lugar de instalación para que la unidad no interfiera con las operaciones de conducción normales.
- Evite instalar la unidad en zonas expuestas a polvo, suciedad, vibración excesiva o temperaturas elevadas, como la luz solar directa o cerca de conductos de calefacción.
- Use solo el equipo de montaje suministrado para realizar una instalación segura.

#### Nota sobre el cable de alimentación (amarillo)

Al conectar esta unidad junto con otros componentes estéreo, el valor del amperaje del circuito del vehículo al que está conectada la unidad debe ser superior a la suma del valor del amperaje del fusible de cada componente.

#### Nota sobre la instalación en vehículos con sistema de arranque y parada

Al volver a poner en marcha el motor después de la activación del sistema de arranque y parada, es posible que la unidad se reinicie. En este caso, desactive el sistema de arranque y parada de su vehículo.

#### Ajuste del ángulo de montaje

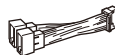
Ajuste el ángulo de montaje a menos de 30°.

## Lista de piezas para la instalación

① Tornillos de montaje (5 × máx. 8 mm) (4)



② Cables de alimentación (1)



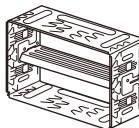
③ Micrófono (1)



④ Cinta adhesiva de doble cara (1)



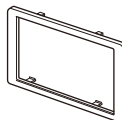
⑤ Soporte de montaje (1)



⑥ Llaves de desbloqueo (2)

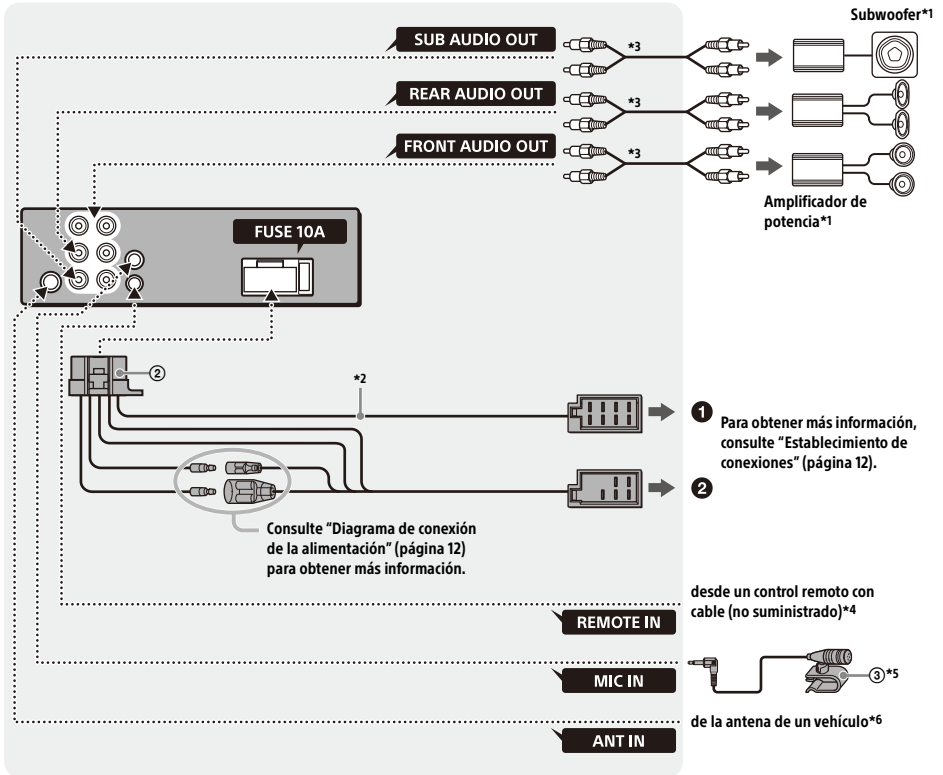


⑦ Marco decorativo (1)



- Esta lista de piezas no incluye todo el contenido del paquete.
- El soporte de montaje ⑤ está montado en la unidad al salir de fábrica. Antes de montar la unidad, utilice las llaves de desbloqueo ⑥ para desmontar el soporte de montaje ⑤ de la unidad. Para obtener más información, consulte "Desmontaje del soporte de montaje" (página 13).
- Guarde las llaves de desbloqueo ⑥ para utilizarlas más adelante, ya que también son necesarias para desmontar la unidad del vehículo.

# Conexión



\*1 No suministrado

\*2 Impedancia de altavoz: de 4  $\Omega$  a 8  $\Omega$   $\times$  4

\*3 Cable con clavija RCA (no suministrado)

\*4 En función del tipo de vehículo, use un adaptador para un control remoto con cable (no suministrado). Para obtener más información sobre el control remoto con cable, consulte "Uso del control remoto con cable" (página 13).

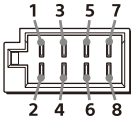
\*5 Tanto si se utiliza como si no, procure que el recorrido del cable de entrada del micrófono no interfiera con las operaciones de conducción. Fije el cable con una abrazadera, etc., si lo instala alrededor de los pies. Para obtener más información sobre la instalación del micrófono, consulte "Instalación del micrófono" (página 13).

\*6 En función del tipo de vehículo, use un adaptador (no suministrado) si el conector de la antena no encaja.

## Establecimiento de conexiones

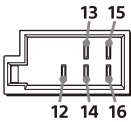
Si tiene una antena motorizada sin caja de relés, la conexión de esta unidad con los cables de alimentación suministrados ② puede dañar la antena.

### ① Al conector del altavoz del vehículo



1	Altavoz trasero (derecho)	+	Lila
2		-	A rayas lilas/negras
3	Altavoz delantero (derecho)	+	Gris
4		-	A rayas grises/negras
5	Altavoz delantero (izquierdo)	+	Blanco
6		-	A rayas blancas/negras
7	Altavoz trasero (izquierdo)	+	Verde
8		-	A rayas verdes/negras

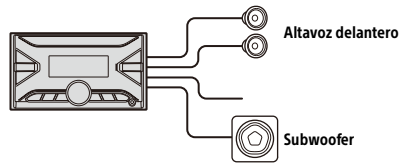
### ② Al conector de alimentación del vehículo



12	Fuente de alimentación continua	Amarillo
13	Control de la antena motorizada/ amplificador de potencia (REM OUT)	A rayas azules/blancas
14	Fuente de alimentación de iluminación conmutada	A rayas naranja/blancas
15	Fuente de alimentación conmutada	Rojo
16	Masa	Negro

## Conexión fácil de subwoofer

Puede utilizar un subwoofer sin un amplificador de potencia si está conectado a un cable de altavoz trasero.



### Notas

- Es necesario preparar los cables de altavoz traseros.
- Utilice un subwoofer con una impedancia de 4 Ω a 8 Ω y con una capacidad de administración de la potencia suficiente para evitar daños.

## Conexión del soporte de la memoria

Si el cable de alimentación amarillo está conectado, siempre se suministrará alimentación eléctrica al circuito de memoria aunque esté apagado el interruptor de la llave de encendido.

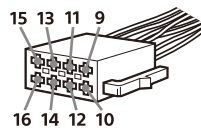
## Conexión del altavoz

- Antes de conectar los altavoces, apague la unidad.
- Utilice unos altavoces con una impedancia de 4 Ω a 8 Ω y con una capacidad de administración de la potencia suficiente para evitar daños.

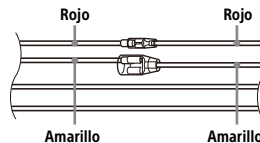
## Diagrama de conexión de la alimentación

Compruebe el conector de alimentación auxiliar de su vehículo y conecte los cables correctamente en función del vehículo.

### Conector de alimentación auxiliar

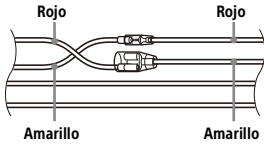


### Conexión común



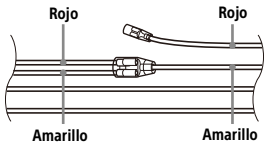
12	Fuente de alimentación continua	Amarillo
15	Fuente de alimentación conmutada	Rojo

## Posiciones de los cables rojo y amarillo invertidas



12	Fuente de alimentación conmutada	Amarillo
15	Fuente de alimentación continua	Rojo

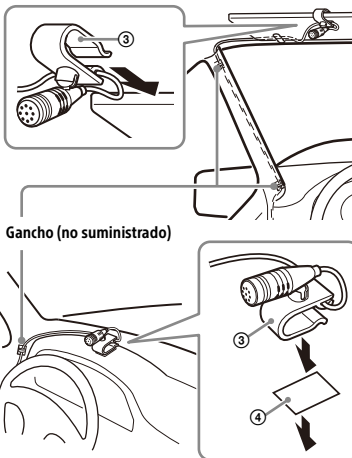
## Para los vehículos sin posición ACC



Después de establecer las conexiones y cambiar los cables de alimentación correctamente, conecte la unidad a la fuente de alimentación del vehículo. Si desea realizar alguna consulta o solucionar algún problema relativo a la unidad que no se trate en este manual, póngase en contacto con el concesionario del vehículo.

## Instalación del micrófono

Para capturar su voz durante llamadas manos libres, debe instalar el micrófono ③.



## Precauciones

- Es extremadamente peligroso que el cable se enrolle alrededor de la columna de dirección o la palanca de cambios. Asegúrese de que ni este ni otros elementos no interfieran en sus operaciones de conducción del vehículo.
- Si su automóvil cuenta con airbags o cualquier otro equipo de amortiguación de impactos, póngase en contacto con la tienda en la que adquirió esta unidad o con el concesionario del automóvil antes de realizar la instalación.

## Nota

Antes de fijar la cinta de doble cara ④, limpie la superficie del salpicadero con un paño seco.

## Uso del control remoto con cable

- 1 Para activar el control remoto con cable, ajuste [STR CONTROL] de [STEERING] en [PRESET].

## Instalación

### Desmontaje del soporte de montaje

Antes de instalar la unidad, desmonte el soporte de montaje ⑤ de la unidad.

- 1 Introduzca las dos llaves de desbloqueo ⑥ hasta que encajen, baje el soporte de montaje ⑤ y tire de la unidad hacia arriba para separarla.



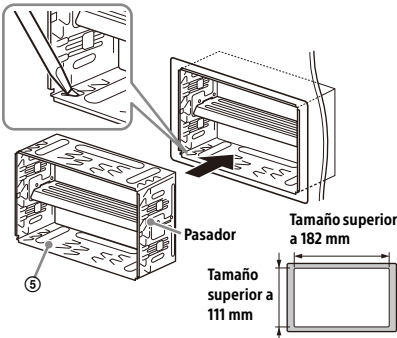
## Montaje de la unidad en el salpicadero

En el caso de vehículos japoneses, consulte "Montaje de la unidad en un vehículo japonés" (página 14).

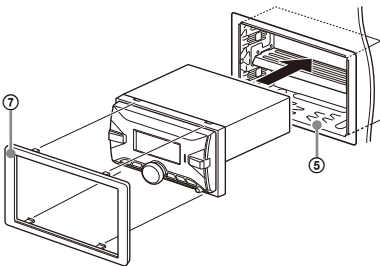
### Montaje de la unidad con el soporte de montaje incluido

Antes de la instalación, asegúrese de que los pasadores situados a ambos lados del soporte de montaje ⑤ estén doblados hacia dentro 3,5 mm.

- 1 Coloque el soporte de montaje ⑤ dentro del salpicadero y, a continuación, doble los ganchos hacia fuera para que queden bien ajustados.



- 2 Monte la unidad en el soporte de montaje ⑤.

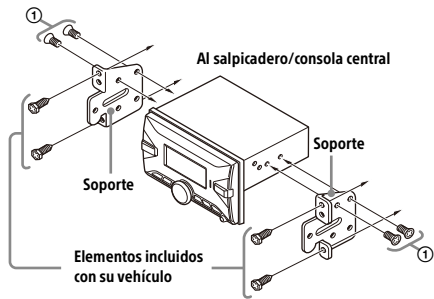


#### Nota

Si los pasadores están rectos o doblados hacia fuera, la unidad no se instalará con seguridad y puede salirse hacia fuera.

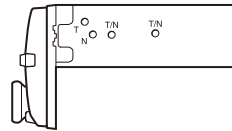
## Montaje de la unidad en un vehículo japonés

Tal vez no pueda instalar esta unidad en algunas marcas de vehículos japoneses. En ese caso, consulte al distribuidor Sony.



Al montar esta unidad en los soportes preinstalados de su vehículo, utilice los tornillos de montaje ① en los orificios de tornillo adecuados en función de su vehículo:

T para TOYOTA y N para NISSAN.



#### Nota

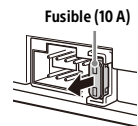
Para evitar fallos, realice la instalación solo con los tornillos de montaje ①.

## Reinicio de la unidad

Para obtener más información, consulte "Reinicio de la unidad" (página 5).

## Sustitución de fusibles

Cuando sustituya el fusible, asegúrese de usar uno que coincida con el valor del amperaje indicado en el fusible original. Si se funde el fusible, compruebe la conexión de la alimentación y sustituya el fusible. Si se vuelve a fundir el fusible después de sustituirlo, puede que haya una avería interna. En ese caso, consulte al distribuidor Sony más cercano.







# Waarschuwing

Voor uw eigen veiligheid moet u dit apparaat in het dashboard van de auto installeren, aangezien de achterkant ervan tijdens het gebruik erg warm wordt. Zie "Verbinding/installatie" (pagina 10) voor meer informatie.

Geproduceerd in Thailand

Het naamplaatje met de werkspanning enz. bevindt zich onder aan de behuizing.

De CE-markering geldt alleen in landen waar deze wettelijk van kracht is. Dit is met name het geval in landen die deel uitmaken van de EER (Europese Economische Ruimte) en Zwitserland.

## Opmerking voor klanten: de volgende informatie geldt enkel voor apparatuur verkocht in landen waar de EU-richtlijnen van kracht zijn

Dit product werd vervaardigd door of in opdracht van Sony Corporation.

EU importeur: Sony Europe B.V.

Vragen aan de EU invoerder of met betrekking tot Europese productconformiteit kunnen worden gericht aan de gemachtigde vertegenwoordiger, Sony Belgium, bijkantoor van Sony Europe B.V., Da Vincilaan 7-D1, 1930 Zaventem, België.



Hierbij verklaart Sony Corporation dat deze radioapparatuur conform is met Richtlijn 2014/53/EU.

De volledige tekst van de EU-conformiteitsverklaring kan worden geraadpleegd op het volgende internetadres:  
<https://compliance.sony.eu>



## Verwijdering van oude batterijen, elektrische en elektronische apparaten (van toepassing in de Europese Unie en andere landen met afzonderlijke inzamelingsystemen)

Dit symbool op het product, de batterij of op de verpakking wijst erop dat het product en de batterij, niet als huishoudelijk afval behandeld mogen worden. Op sommige batterijen kan dit symbool gebruikt worden in combinatie met een chemisch symbool. Het chemisch symbool voor lood (Pb) wordt toegevoegd wanneer de batterij meer dan 0,004% lood bevat. Door deze producten en batterijen op juiste wijze af te voeren, vermijdt u mogelijke negatieve gevolgen voor mens en milieu die zijn gekoppeld aan verkeerde afvalbehandeling.

Het recyclen van materialen draagt bij aan het behoud van natuurlijke bronnen. In het geval dat de producten om redenen van veiligheid, prestaties dan wel in verband met data-integriteit een permanente verbinding met een ingebouwde batterij vereisen, mag deze batterij enkel door gekwalificeerd servicepersoneel worden vervangen. Om ervoor te zorgen dat de batterij, elektrische en elektronische apparaten op een juiste wijze zal worden behandeld, dienen deze producten aan het eind van hun levenscyclus worden ingeleverd bij het juiste inzamelingspunt voor het recyclen van elektrisch en elektronisch materiaal. Voor alle andere batterijen verwijzen we u naar het hoofdstuk over het veilig verwijderen van batterijen. Lever de batterijen in bij het juiste inzamelingspunt voor het recyclen van batterijen. Voor meer informatie over het recyclen van dit product of de batterij, kunt u contact opnemen met de gemeentelijke instanties, de organisatie belast met de verwijdering van huishoudelijk afval of de winkel waar u het product of batterij hebt gekocht.

## OPGELET

Het frequentiebereik 65 – 74 MHz is niet toegewezen aan het uitzenden van geluid in de European Common Allocation Table en kan niet gebruikt worden in Europa.

## Waarschuwing als het contactslot van de auto geen ACC-positie heeft

Zorg ervoor dat de AUTO OFF-functie ingesteld is. Het toestel wordt volledig en automatisch afgesloten in de opgegeven tijd nadat het toestel werd uitgeschakeld en de klok wordt weergegeven (houd OFF 1 seconde ingedrukt). Dit voorkomt dat de batterij leegloopt. Zo voorkomt u dat de accu leegraakt. Als u de AUTO OFF-functie niet instelt, houd dan steeds OFF ingedrukt tot het scherm verdwijnt, wanneer u het contact uitzet.

## Disclaimer betreffende diensten aangeboden door derden

Diensten die aangeboden worden door derden kunnen gewijzigd, opgeschort of beëindigd worden zonder voorafgaande kennisgeving. Sony draagt geen enkele verantwoordelijkheid voor dergelijke situaties.

## Belangrijk bericht

### Opgelet

ONDER GEEN ENKELE OMSTANDIGHEID ZAL SONY AANSPRAKELIJK ZIJN VOOR INCIDENTELE, INDIRECTE OF BIJKOMENDE SCHADE OF ANDERE SCHADE WAARONDER, ZONDER BEPERKING, VERLIES VAN WINST, INKOMSTENDERVING, VERLIES VAN GEGEVENS, VERLIES VAN GEBRUIK VAN HET PRODUCT OF EVENTUELE BIJKOMENDE APPARATUUR, UITVALTIJD EN TIJD VAN DE KOPER DIE VERBAND HOUDT MET OF ONTSTAAT UIT HET GEBRUIK VAN DIT PRODUCT, DE BIJBEHORENDE HARDWARE EN/OF SOFTWARE.

Geachte klant, dit product bevat een radiozender. Volgens UNECE-reglement nr. 10 kunnen fabrikanten van voertuigen specifieke voorwaarden opleggen voor het installeren van radiozenders in voertuigen.

Gelieve de bedieningshandleiding van uw voertuig te controleren of contact op te nemen met de fabrikant van uw voertuig voordat u dit product in uw voertuig installeert.

### Noodoproepen

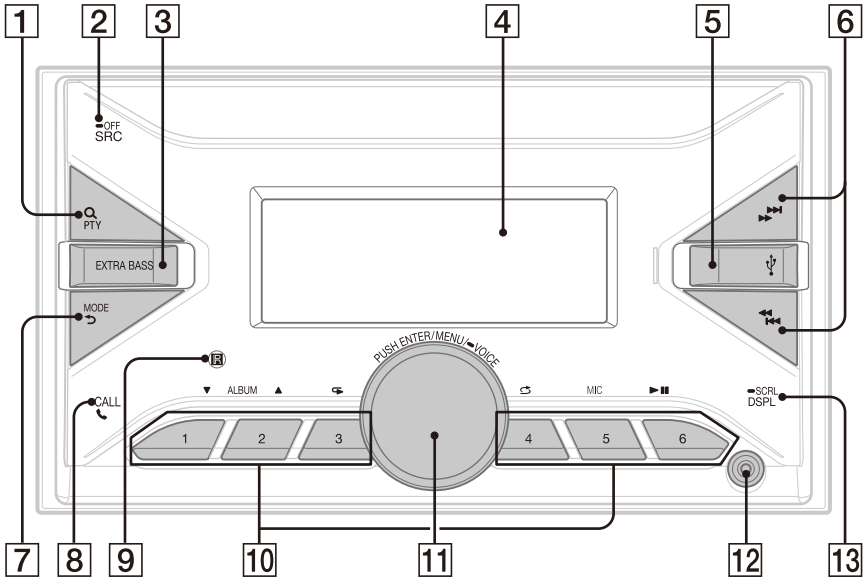
Dit handenvrije BLUETOOTH-toestel en het elektronische toestel dat ermee verbonden is, gebruiken radiosignalen, mobiele en vaste netwerken en ook een door de gebruiker geprogrammeerde functie. Verbinding kan niet onder alle omstandigheden worden gegarandeerd. Vertrouw daarom niet uitsluitend op uw elektronische toestel voor het tot stand brengen van essentiële communicatie (zoals bij medische noodgevallen).

### Over BLUETOOTH-communicatie

- Microgolven die worden uitgestraald door een BLUETOOTH-apparaat kunnen de werking van elektronische medische apparaten beïnvloeden. Schakel dit apparaat en andere BLUETOOTH-toestellen uit op de volgende plaatsen, omdat dit ongelukken kan veroorzaken.
  - waar brandbaar gas aanwezig is, in een ziekenhuis, trein, vliegtuig of benzinestation
  - in de buurt van automatische deuren of een brandalarm
- Dit apparaat ondersteunt veiligheidsvoorzieningen die voldoen aan de BLUETOOTH-standaard voor een veiligere verbinding wanneer de draadloze BLUETOOTH-technologie wordt gebruikt, maar deze beveiliging zal afhankelijk van de omstandigheden mogelijk niet voldoende zijn. Wees voorzichtig wanneer u communiceert via draadloze BLUETOOTH-technologie.
- Wij zijn niet verantwoordelijk voor het lekken van informatie tijdens BLUETOOTH-communicatie.

Met alle vragen of problemen over dit apparaat die niet aan bod komen in deze gebruiksaanwijzing, kunt u terecht bij uw Sony-leverancier.

## Hoofdapparaat



### 1 Q (bladeren)

Tijdens het afspelen:  
Schakelt over naar de bladermodus.  
(Niet beschikbaar wanneer een USB-apparaat in de Android™-modus of een iPod is aangesloten.)

### PTY (programmatype)

Tijdens FM-ontvangst:  
Selecteert PTY in RDS.

### 2 SRC (bron)

Schakelt het toestel in.  
Wijzigt de bron.

### OFF

Houd dit 1 seconde ingedrukt om de bron uit te schakelen en de klok weer te geven.  
Houd dit 2 seconden of langer ingedrukt om het toestel en het display uit te schakelen.

### 3 EXTRA BASS

Versterkt het basgeluid synchroon met het volumeniveau.

Druk hierop om de EXTRA BASS-instelling te wijzigen: [1], [2], [OFF].

### 4 Display

### 5 USB-poort

### 6 << / >> (SEEK +/-)

Tijdens radio-ontvangst:

Stemt automatisch af op radiozenders.

Houd dit ingedrukt om handmatig op zenders af te stemmen.

### <<< / >>> (vorige/volgende)

### <<< / >>> (terugspoelen/doorspoelen)

### 7 MODE

### ↶ (terug)

Keert terug naar het vorige display.

### 8 CALL

Schakelt over naar het oproepmenu. Neemt een oproep aan of beëindigt deze.

Houd dit 2 seconden of langer ingedrukt om het BLUETOOTH-signaal om te schakelen.

### 9 Ontvanger voor de afstandsbediening

## 10 Numerieke knoppen (1 t/m 6)

Ontvangt vooraf ingestelde radiozenders.  
Houd dit ingedrukt om zenders vooraf in te stellen.

### ALBUM ▼/▲

Slaat een album op het audioapparaat over.  
Houd dit ingedrukt om voortdurend albums over te slaan.  
(Niet beschikbaar wanneer een USB-apparaat in de Android-modus of een iPod is aangesloten.)

### ↶ (herhalen)

(Niet beschikbaar wanneer een USB-apparaat in de Android-modus is aangesloten.)

### 🎲 (willekeurig)

(Niet beschikbaar wanneer een USB-apparaat in de Android-modus is aangesloten.)

### MIC

### ▶|| (afspelen/pauzeren)

## 11 Draaiknop

Regelt het volume.

### PUSH ENTER

Schakelt om naar het geselecteerde item.  
Druk op SRC, draai aan de knop en druk er vervolgens op om de bron te wijzigen (time-out na 2 seconden).

### MENU

Opent het instelmenu.

### 🗨 VOICE

Houd dit langer dan 2 seconden ingedrukt om de spraakkeuzefunctie, de spraakherkenningsfunctie (alleen voor Android-smartphones) of de Siri-functie (alleen voor iPhones) te activeren.

## 12 AUX-ingang

## 13 DSPL (display)

Wijzigt items op het display.

### ➡ SCRL (scrollen)

Houd dit ingedrukt om een displayitem te laten scrollen.

## Basishandelingen

### Het toestel resetten

U moet het toestel resetten voordat u het voor het eerst gebruikt, nadat u de autobatterij hebt vervangen of wanneer u de verbindingen hebt gewijzigd.

#### 1 Houd DSPL en CALL 📞 langer dan 2 seconden ingedrukt.

#### Opmerking

Als u het toestel reset, worden de klokinstelling en bepaalde opgeslagen gegevens gewist.

### Het gebied/de regio instellen

Nadat u het toestel hebt gereset, verschijnt de instelling voor het gebied/de regio op het display.

#### 1 Druk op ENTER terwijl [AREA] wordt weergegeven.

Het huidige gebied of de huidige regio wordt weergegeven.

#### 2 Draai aan de draaiknop om [EUROPE] of [RUSSIA] te selecteren en druk vervolgens op de draaiknop.

#### 3 Draai aan de draaiknop om [YES] of [NO] te selecteren en druk vervolgens op de draaiknop.

Als de instelling voor het gebied/de regio is gewijzigd, wordt het toestel gereset en wordt de klok weergegeven.

U kunt deze instelling configureren in het algemene instelmenu.

---

## Koppelen met een BLUETOOTH-apparaat

Wanneer u een BLUETOOTH-apparaat voor de eerste keer verbindt, is wederzijdse registratie ("pairing" of koppeling) vereist. Dit toestel en andere apparaten kunnen elkaar herkennen met behulp van pairing. Dit toestel kan verbinding maken met twee BLUETOOTH-apparaten (twee mobiele telefoons, of een mobiele telefoon en een audioapparaat).



- 1 Druk op MENU, draai vervolgens aan de draaiknop en druk erop om [BLUETOOTH] → [PAIRING] → [DEVICE 1]/[DEVICE 2]\* te selecteren.

⊗ knippert terwijl het toestel in de stand-bymodus voor koppelen staat.

\* [DEVICE 1] of [DEVICE 2] verandert in de naam van het gekoppelde apparaat nadat het koppelen is voltooid.

- 2 Voer de koppeling uit op het BLUETOOTH-apparaat zodat het dit toestel detecteert.

- 3 Selecteer uw modelnaam die wordt weergegeven op het display van het BLUETOOTH-apparaat\*.

Wanneer de koppeling tot stand is gebracht, blijft ⊗ branden.

\* Als een wachtwoord vereist is op het BLUETOOTH-apparaat, voer dan [0000] in.

---

## De demonstratiemodus annuleren

U kunt het demonstratiedisplay annuleren dat wordt weergegeven wanneer de bron is uitgeschakeld en de klok wordt weergegeven.

- 1 Druk op MENU, draai aan de draaiknop om [GENERAL] te selecteren en druk vervolgens op de draaiknop.
- 2 Draai aan de draaiknop om [DEMO] te selecteren en druk vervolgens op de draaiknop.
- 3 Draai aan de draaiknop om [DEMO-OFF] te selecteren en druk vervolgens op de draaiknop.  
De instelling is voltooid.
- 4 Druk tweemaal op ↵ (terug).  
Het display wordt terug ingesteld op de normale modus voor ontvangst/afspelen.

---

## De firmware updaten

Als u de firmware wilt updaten, gaat u naar de ondersteuningswebsite die u op de achteromslag vindt en vervolgens volgt u de online-instructies.

### Opmerkingen

- U dient een USB-apparaat (niet bijgeleverd) te gebruiken om de firmware te updaten. Sla het updateprogramma op het USB-apparaat op en sluit het apparaat aan op de USB-poort. Voer vervolgens de update uit.
- Het updaten van de firmware neemt enkele minuten in beslag. Zet tijdens de update het contact niet op OFF en verwijder het USB-apparaat niet.

## Aanvullende informatie

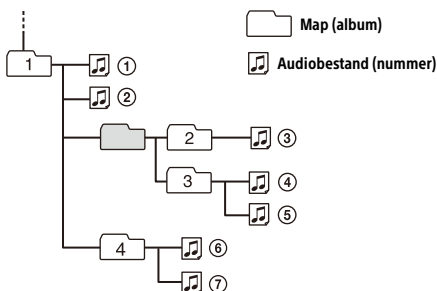
### Voorzorgsmaatregelen

- Laat het toestel eerst afkoelen als uw auto in de volle zon heeft gestaan.
- Laat geen audioapparaten achter in de auto. Deze kunnen beschadigd raken door de hoge temperatuur in direct zonlicht.
- De antenne schuift automatisch uit.

### De hoge geluidskwaliteit behouden

Stel het toestel niet bloot aan spattend vocht.

### Afspeelvolgorde van audiobestanden



## Informatie over iPod

- U kunt de volgende iPod-modellen aansluiten. Werk uw iPod-apparaten voor gebruik bij naar de meest recente software.

Compatibele iPhone-/iPod-modellen

Compatibel model	Bluetooth®	USB
iPhone XR	✓	✓
iPhone Xs max	✓	✓
iPhone Xs	✓	✓
iPhone X	✓	✓
iPhone 8	✓	✓
iPhone 8 Plus	✓	✓
iPhone 7	✓	✓
iPhone 7 Plus	✓	✓
iPhone SE	✓	✓
iPhone 6s	✓	✓
iPhone 6s Plus	✓	✓
iPhone 6	✓	✓
iPhone 6 Plus	✓	✓
iPhone 5s	✓	✓
iPhone 5c	✓	✓
iPhone 5	✓	✓
iPhone 4s	✓	✓
iPod touch (6e generatie)	✓	✓
iPod touch (5e generatie)	✓	✓
iPod nano (7e generatie)		✓

- Het gebruik van de Made for Apple-badge betekent dat een accessoire ontworpen is om specifiek aangesloten te worden met het/de Apple-product(en) dat/die geïdentificeerd is/zijn in de badge, en gecertificeerd is door de ontwerper om te beantwoorden aan de prestatienormen van Apple. Apple is niet verantwoordelijk voor de werking van dit apparaat of naleving van veiligheidseisen en wettelijke standaarden. Het gebruik van dit accessoire met een Apple-product kan de draadloze prestaties beïnvloeden.

Als u vragen of problemen hebt in verband met uw toestel die niet in deze handleiding worden behandeld, neem dan contact op met uw dichtstbijzijnde Sony-verdeler.

# Specificaties

## Tunergedeelte

### FM

Afstembereik:

Wanneer [AREA] is ingesteld op [EUROPE]:  
87,5 MHz – 108,0 MHz

Wanneer [AREA] is ingesteld op [RUSSIA]:  
FM1/FM2: 87,5 MHz – 108,0 MHz  
(bij stap van 50 kHz)

FM3: 65 MHz – 74 MHz (bij stap van 30 kHz)

Bruikbare gevoeligheid: 7 dBf

Signaal-ruisverhouding: 73 dB

Scheiding: 50 dB bij 1 kHz

### AM/LW

Afstembereik:

531 kHz – 1.602 kHz (AM),  
153 kHz – 279 kHz (LW)

Gevoeligheid:

AM: 26  $\mu$ V,  
LW: 50  $\mu$ V

## USB-spelergedeelte

Interface: USB (Full Speed)

Maximale stroom: 1 A

Maximaal aantal herkenbare mappen en  
bestanden:

Mappen (albums): 256

Bestanden (nummers) per map: 256

Compatibel Android Open Accessory-protocol  
(AOA): 2.0

Overeenkomstige codec:

MP3 (.mp3)

Bitsnelheid: 8 kbps – 320 kbps (ondersteunt VBR  
(variabele bitsnelheid))

Bemonsteringsfrequentie: 16 kHz – 48 kHz

WMA (.wma)

Bitsnelheid: 32 kbps – 192 kbps (ondersteunt  
VBR (variabele bitsnelheid))

Bemonsteringsfrequentie: 32 kHz, 44,1 kHz,  
48 kHz

AAC (.m4a, .mp4)

Bitsnelheid: 16 kbps – 320 kbps (stereo)

Bemonsteringsfrequentie: 8 kHz – 48 kHz

FLAC (.flac)

Bitdiepte: 16 bit, 24 bit

Bemonsteringsfrequentie: 44,1 kHz, 48 kHz

Ondersteund bestandssysteem: FAT16, FAT32

## Draadloze communicatie

Communicatiesysteem:

BLUETOOTH-standaard versie 3.0

Uitvoer:

BLUETOOTH-standaard vermogensklasse 2  
(max. geleid +1 dBm)

Maximaal communicatiebereik\*1:

In een rechte lijn zonder obstakels circa 10 m

Frequentieband:

2,4GHz-band (2,4000 GHz – 2,4835 GHz)

Modulatiemethode: FHSS

Compatibele BLUETOOTH-profielen\*2:

A2DP (Advanced Audio Distribution Profile) 1.3

AVRCP (Audio Video Remote Control Profile) 1.3

HFP (Handsfree Profile) 1.6

PBAP (Phone Book Access Profile)

SPP (Serial Port Profile)

Overeenkomstige codec:

SBC (.sbc), AAC (.m4a)

\*1 Het werkelijke bereik zal variëren afhankelijk van factoren zoals obstakels tussen apparaten, magnetische velden rond een magnetron, statische elektriciteit, de ontvangstgevoeligheid, de prestaties van de antenne, het besturingssysteem, de softwaretoepassing enz.

\*2 BLUETOOTH-standaardprofielen geven het doel aan van de BLUETOOTH-communicatie tussen apparaten.

## Versterker gedeelte

Uitvoer: luidsprekeruitgangen

Luidsprekerimpedantie: 4  $\Omega$  – 8  $\Omega$

Maximaal uitgangsvermogen: 55 W  $\times$  4 (bij 4  $\Omega$ )

## Algemeen

Voedingsvereisten: 12VDC-autobatterij (negatieve aarding)

Nominaal stroomverbruik: 10 A

Afmetingen:

Circa 178 mm  $\times$  100 mm  $\times$  177 mm (b/h/d)

Montageafmetingen:

Circa 182 mm  $\times$  111 mm  $\times$  159 mm (b/h/d)

Gewicht: circa 1,0 kg

Inhoud van de verpakking:

Hoofdapparaat (1)

Onderdelen voor installatie en verbindingen  
(1 set)

Optionele accessoires/apparatuur:

Kabel voor invoer stuurafstandsbediening: RC-SR1

Neem contact op met de verdeler voor meer informatie.

Ontwerp en specificaties kunnen zonder kennisgeving worden gewijzigd.



## Auteursrechten

Het woordmerk Bluetooth® en de logo's van Bluetooth zijn gedeponeerde handelsmerken die het eigendom zijn van Bluetooth SIG, Inc. en Sony Corporation gebruikt deze merken onder licentie. Overige handelsmerken en merknamen zijn eigendom van de respectieve eigenaars.

Windows Media is een gedeponeerd handelsmerk of een handelsmerk van Microsoft Corporation in de Verenigde Staten en/of andere landen.

Dit product wordt beschermd door bepaalde intellectuele eigendomsrechten van Microsoft Corporation. Het gebruik of de verspreiding van dergelijke technologie buiten dit product om is verboden zonder een licentie van Microsoft of een erkend dochterbedrijf van Microsoft.

Apple, iPhone, iPod, iPod nano, iPod touch en Siri zijn handelsmerken van Apple Inc., gedeponeerd in de VS en andere landen.

Android is een handelsmerk van Google LLC.

### Waarschuwingen

- Sluit alle aardingskabels op een **gemeenschappelijk aardpunt** aan.
- Zorg ervoor dat de kabels niet onder een schroef of tussen bewegende onderdelen (bv. een zetelrail) terecht komen.
- Voordat u de aansluitingen maakt, moet u het contact uitzetten om kortsluiting te vermijden.
- Sluit de voedingskabel ② aan op het toestel en de luidsprekers voordat u het aansluit op de hulpvoedingsaansluiting.
- Voorzie niet-aangesloten kabels om veiligheidsredenen altijd van isolatietape.
- Kies de installatieplaats zorgvuldig zodat het toestel de bestuurder niet hindert tijdens het rijden.
- Installeer het toestel niet op plaatsen waar het in contact komt met stof of vuil of waar het blootgesteld wordt aan sterke trillingen of hoge temperaturen, zoals in direct zonlicht of in de buurt van verwarmingskanalen.
- Gebruik voor het veilig en stevig monteren van het toestel uitsluitend de bijgeleverde montageonderdelen.

#### Opmerking over de voedingskabel (geel)

Wanneer u dit apparaat samen met andere stereocomponenten aansluit, moet het vermogen van de aangesloten autostroomkring groter zijn dan de som van de zekeringen van elke component afzonderlijk.

#### Opmerking bij de installatie van het toestel in auto's met een start-stopsysteem

Het toestel wordt mogelijk opnieuw opgestart wanneer de motor wordt gestart terwijl het start-stopsysteem actief is. Schakel in dit geval het start-stopsysteem van uw auto uit.

#### Aanpassing van de montagehoek

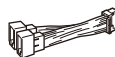
Zorg ervoor dat de montagehoek minder dan 30° bedraagt.

### Onderdelenlijst voor installatie

① Montageschroeven  
(5 × max. 8 mm) (4)



② Voedingskabel (1)



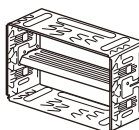
③ Microfoon (1)



④ Dubbelzijdige tape (1)



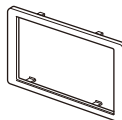
⑤ Montageframe (1)



⑥ Ontgrendelings sleutels (2)

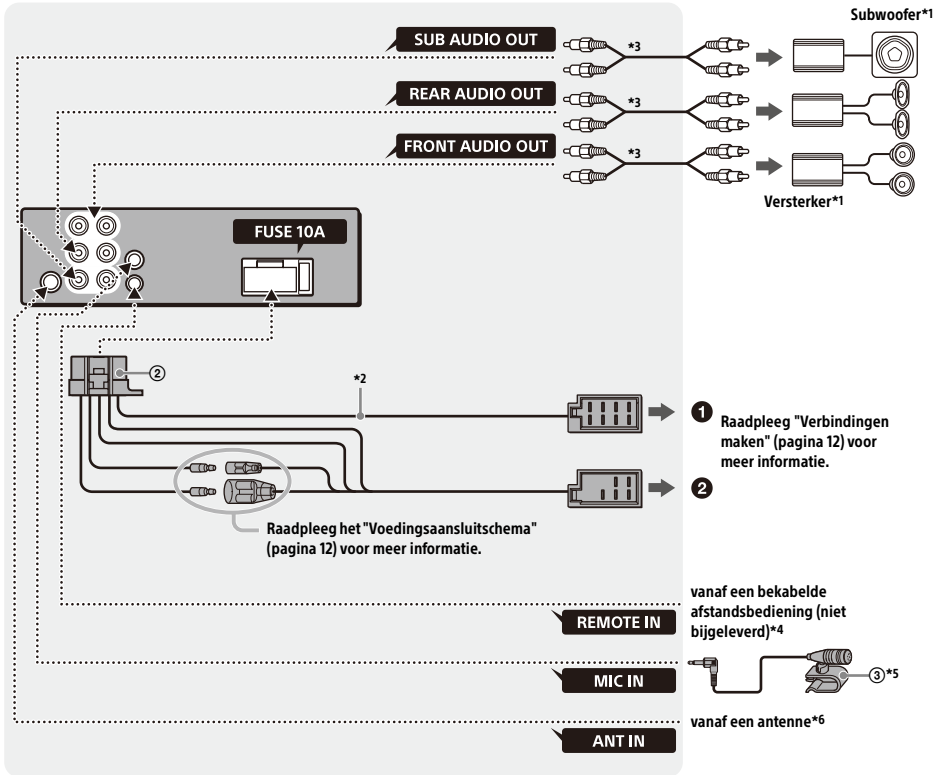


⑦ Montagelijst (1)



- Deze onderdelenlijst omvat niet alle inhoud van de verpakking.
- Het montageframe ⑤ is op het toestel bevestigd bij het verzenden. Gebruik de ontgrendelings sleutels ⑥ om het montageframe ⑤ van het toestel te verwijderen voordat u het toestel monteert. Raadpleeg "Het montageframe verwijderen" (pagina 13) voor meer informatie.
- Bewaar de ontgrendelings sleutels ⑥ voor toekomstig gebruik. U hebt deze ook nodig als u het toestel uit uw auto wilt verwijderen.

# Verbinding



\*1 Niet bijgeleverd

\*2 Luidsprekerimpedantie:  $4 \Omega - 8 \Omega \times 4$

\*3 RCA-kabel (niet bijgeleverd)

\*4 Gebruik een adapter voor een bekabelde afstandsbediening (niet bijgeleverd) afhankelijk van het type auto.

Raadpleeg "De bekabelde afstandsbediening gebruiken" (pagina 13) voor meer informatie over het gebruik van de bekabelde afstandsbediening.

\*5 Zorg ervoor dat de microfoonkabel de bestuurder niet hindert tijdens het rijden, ongeacht of de microfoon in gebruik is of niet. Zet de kabel vast met een klem of dergelijke als deze in de buurt van uw voeten is geplaatst.

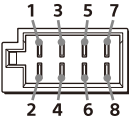
Raadpleeg "De microfoon installeren" (pagina 13) voor meer informatie over het installeren van de microfoon.

\*6 Gebruik een adapter (niet bijgeleverd) als de antenneaansluiting niet past afhankelijk van het type auto.

## Verbindingen maken

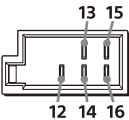
Als u een antenne zonder een relaiskast hebt, kunt u de antenne beschadigen als u dit toestel met behulp van de bijgeleverde voedingskabel ② aansluit.

### ① Naar de luidsprekeeraansluiting van de auto



1	Achterluidspreker (rechts)	⊕	Paars
2		⊖	Paars/zwart gestreept
3	Voorluidspreker (rechts)	⊕	Grijs
4		⊖	Grijs/zwart gestreept
5	Voorluidspreker (links)	⊕	Wit
6		⊖	Wit/zwart gestreept
7	Achterluidspreker (links)	⊕	Groen
8		⊖	Groen/zwart gestreept

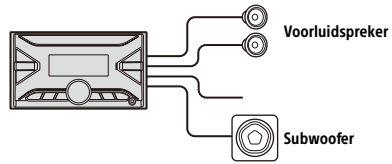
### ② Naar de voedingsaansluiting van de auto



12	continu stroomvoorziening	Geel
13	aansturing antenne/versterker (REM OUT)	Blauw/wit gestreept
14	geschakelde verlichtingsvoeding	Oranje/wit gestreept
15	geschakelde voeding	Rood
16	aardpunt	Zwart

## Eenvoudige subwooferaansluiting

U kunt een subwoofer zonder versterker aansluiten wanneer deze is aangesloten op een achterluidsprekerkabel.



### Opmerkingen

- U dient de achterluidsprekerkabel voor te bereiden.
- Gebruik een subwoofer met een impedantie van  $4 \Omega$  tot  $8 \Omega$  en met de geschikte vermogenscapaciteit om schade te voorkomen.

## Geheugenbewaaraansluiting

Wanneer de gele voedingskabel is aangesloten, wordt de geheugenschakeling voorzien van stroom zelfs wanneer het contact is uitgezet.

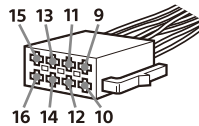
## Luidsprekeeraansluiting

- Schakel het toestel uit voordat u de luidsprekers aansluit.
- Gebruik luidsprekers met een impedantie van  $4 \Omega$  tot  $8 \Omega$  en met een geschikte vermogenscapaciteit om schade te voorkomen.

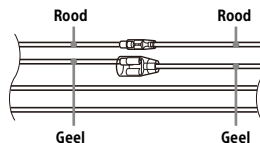
## Voedingsaansluitschema

Controleer de hulpvoedingsaansluiting van uw auto en maak de juiste kabel aansluitingen afhankelijk van de auto.

### Hulpvoedingsaansluiting

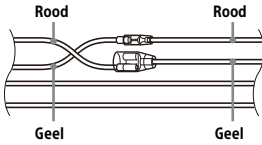


### Normale aansluiting



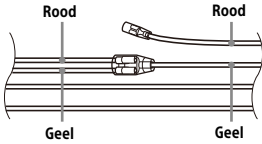
12	continue voeding	Geel
15	geschakelde voeding	Rood

## Wanneer de posities van de rode en gele kabels zijn omgekeerd



12	geschakelde voeding	Geel
15	continu stroomvoorziening	Rood

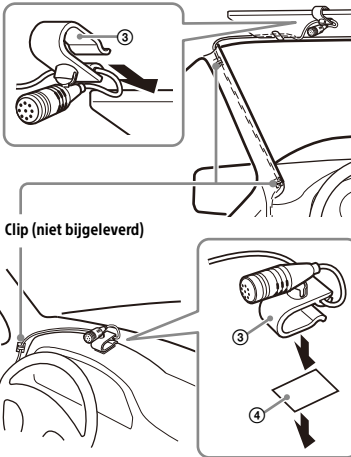
## Wanneer de auto geen ACC-stand heeft



Nadat u de juiste aansluitingen hebt gemaakt en de voedingskabels correct hebt geschakeld, sluit u het toestel aan op de voeding van de auto. Als u vragen of problemen hebt in verband met het aansluiten van uw toestel die niet in deze handleiding worden behandeld, neem dan contact op met uw autohandelaar.

## De microfoon installeren

Om tijdens het handenvrij bellen uw stem te kunnen registreren, moet u de microfoon ③ installeren.



Clip (niet bijgeleverd)

## Waarschuwingen

- Als de kabel rond de stuurkolom of versnellingspook gewikkeld raakt, kan dit tot zeer gevaarlijke situaties leiden. Let erop dat deze kabel en andere onderdelen de bestuurder niet hinderen tijdens het rijden.
- Als uw auto is uitgerust met airbags of andere schokabsorberende apparatuur, neem dan contact op met de winkel waar u dit toestel hebt gekocht of met de autohandelaar voordat u het toestel installeert.

### Opmerking

Reinig het oppervlak van het dashboard met een droge doek voordat u de dubbelzijdige tape ④ bevestigt.

## De bekabelde afstandsbediening gebruiken

- 1 Als u de bekabelde afstandsbediening wilt inschakelen, stelt u [STR CONTROL] onder [STEERING] in op [PRESET].

## Installatie

### Het montageframe verwijderen

Verwijder het montageframe ⑤ van dit toestel voordat u het toestel installeert.

- 1 Plaats beide ontgrendelings sleutels ⑥ totdat deze vastklikken en trek het montageframe ⑤ naar beneden. Trek vervolgens het toestel omhoog om het los te maken.



⑤ Richt de hoek naar binnen.

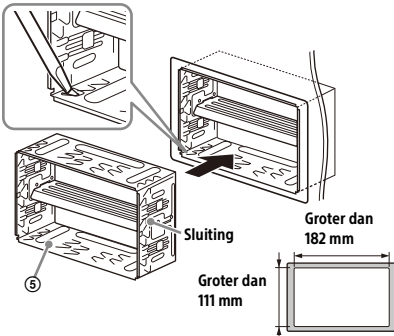
## Het toestel in het dashboard monteren

Raadpleeg "Het toestel in een Japanse auto monteren" (pagina 14) voor Japanse auto's.

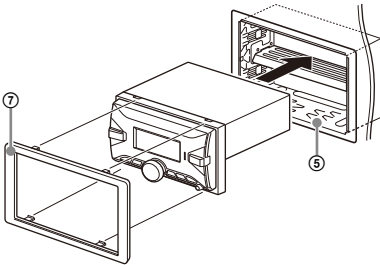
### Het toestel monteren met het bijgeleverde montageframe

Zorg voordat u de installatie voltooit dat de sluitingen aan beide zijden van het montageframe ⑤ 3,5 mm naar binnen zijn gericht.

- 1 Plaats het montageframe ⑤ in het dashboard en buig de klauwen naar buiten zodat deze goed vastzitten.



- 2 Monteer het toestel op het montageframe ⑤.

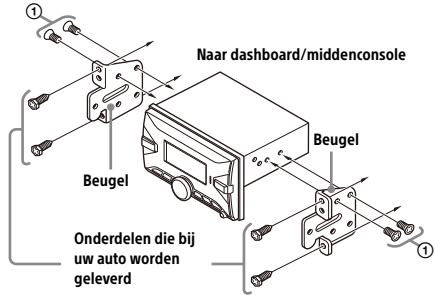


#### Opmerking

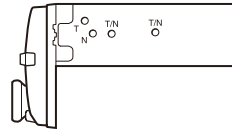
Als de sluitingen recht of naar buiten gebogen zijn, is het toestel niet goed bevestigd en kan het loskomen.

## Het toestel in een Japanse auto monteren

Het is mogelijk dat u het toestel in sommige Japanse automerken niet kunt installeren. Neem in dat geval contact op met uw Sony-verdeler.



Wanneer u dit toestel monteert op de vooraf geïnstalleerde beugels van uw auto, gebruikt u de montageschroeven ① en steekt u deze in de juiste schroefgaten afhankelijk van uw auto: T voor TOYOTA en N voor NISSAN.



#### Opmerking

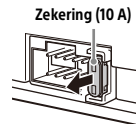
Installeer het toestel alleen met de montageschroeven ① om storingen te voorkomen.

## Het toestel resetten

Raadpleeg "Het toestel resetten" (pagina 5) voor meer informatie.

## De zekering vervangen

Let erop dat u de zekering vervangt door een exemplaar met dezelfde ampèrewaarde als de originele zekering. Als de zekering is doorgebrand, controleer dan de stroomaansluiting en vervang de zekering. Als de zekering opnieuw doorbrandt nadat u deze hebt vervangen, is er wellicht een intern defect. Neem in dat geval contact op met uw dichtstbijzijnde Sony-verdeler.





## Varning!

Du bör av säkerhetsskäl se till att installera enheten i bilens instrumentbräda eftersom enhetens baksida blir varm under användning. För mer information se "Anslutning/installation" (sidan 10).

Tillverkad i Thailand

Typplåten som indikerar driftspänning, etc. finns placerad på undersidan av chassit.

CE-märkningens giltighet är begränsad till de länder där den är juridiskt gällande, i huvudsak EES-länderna (europeiska ekonomiska samarbetsområdet) och Schweiz.

### Att observera för kunder: Följande information är endast tillämplig för utrustning som sålts i länder där EU-direktiv tillämpas

Den här produkten har tillverkats av, eller på uppdrag av Sony Corporation.  
EU-importör: Sony Europe B.V.  
Frågor till EU-importören eller frågor som rör produkternas överensstämmelse i Europa skall sändas till tillverkarens auktoriserade representant, Sony Belgium, bijkantoor van Sony Europe B.V., Da Vincilaan 7-D1, 1930 Zaventem, Belgien.



Härmed försäkras Sony Corporation att denna utrustning överensstämmer med direktiv 2014/53/EU.

Den fullständiga texten till EU-försäkran om överensstämmelse finns på följande webbadress: <https://compliance.sony.eu>



### Hantering av förbrukade batterier samt elektrisk och elektronisk utrustning (gäller inom EU och andra länder med separata insamlingsystem)

Symbolen på produkten, batteriet eller förpackningen anger att produkten och batteriet inte ska hanteras som hushållsavfall. På vissa batterier kan denna symbol användas i kombination med en kemisk symbol. Den kemiska symbolen för bly (Pb) läggs till om batteriet innehåller mer än 0,004 % bly. Genom att säkerställa att dessa produkter och batterier hanteras på rätt sätt bidrar du till att förebygga eventuella negativa miljö- och hälsoeffekter som orsakas av felaktig avfallshantering. Återvinning av materialet bidrar till att bevara naturresurser. När det gäller produkter som av säkerhets-, prestanda- eller dataintegritetsskäl kräver permanent

anslutning till ett inbyggt batteri ska detta batteri alltid bytas av en auktoriserad servicetekniker. För att säkerställa att batteriet och de elektriska och elektroniska produkterna hanteras korrekt ska de levereras till en lämplig återvinningsstation för elektriska och elektroniska produkter när de är förbrukade. Information om alla andra batterityper finner du i avsnittet om säker borttagning av batteriet. Lämna in batteriet på en lämplig återvinningsstation för förbrukade batterier. Kontakta dina lokala myndigheter, din lokala avfallshanteringstjänst eller affären där du köpte produkten eller batteriet för mer detaljerad information om hur du återvinner produkten eller batteriet.

### FÖRSIKTIGHET

Följande frekvensintervall, 65 – 74 MHz, är inte tilldelad till ljudutsändning i ECA-tabellen (European Common Allocations) och kan inte användas i Europa.

### Varning om bilens tändningslås inte har något ACC-läge

Se till att ställa in AUTO OFF-funktionen. Enheten stängs av helt och automatiskt efter en inställd tid efter att enheten stängts av och klockan visas (dvs. håll OFF intryckt i 1 sekund), vilket förhindrar att batteriet utarmas. Om du inte ställer in AUTO OFF-funktionen måste du hålla OFF intryckt tills visningen försvinner varje gång du vrider av tändningen.

### Friskrivning gällande tjänster som erbjuds av tredje part

Tjänster som erbjuds av tredje part kan komma att ändras, upphävas eller avslutas utan föregående meddelande. Sony har inget ansvar när det gäller dessa situationer.



## Viktigt meddelande!

### Försiktighet

SONY SKALL UNDER INGA OMSTÄNDIGHETER HÅLLAS ANSVARIGT FÖR EVENTUELLA OAVSIKTLIGA, INDIREKTA ELLER PÅFÖLJANDE SKADOR ELLER ANDRA SKADOR INKLUSIVE, MEN UTAN BEGRÄNSNING FÖR, UTEBLIVEN VINST, FÖRLORADE INTÄKTER, DATAFÖRLUST, MINSKAD ANVÄNDNING AV PRODUKTEN ELLER EVENTUELL TILLHÖRANDE UTRUSTNING, DRIFTAVBROTT OCH KÖPARENS TID SOM RELATERAR TILL ELLER UPPSTÅR PÅ GRUND AV ANVÄNDNINGEN AV DENNA PRODUKT, DESS MASKINVARA OCH/ELLER PROGRAMVARA.

Kära kund! Denna produkt innehåller en radiosändare.

Enligt UNECE-bestämmelserna nr. 10 kan en fordonstillverkare ålägga vissa villkor för installation av radiosändare i fordon.

Kontrollera fordonets bruksanvisning eller kontakta fordonstillverkaren eller återförsäljaren innan du installerar denna produkt i fordonet.

### Nödsamtal

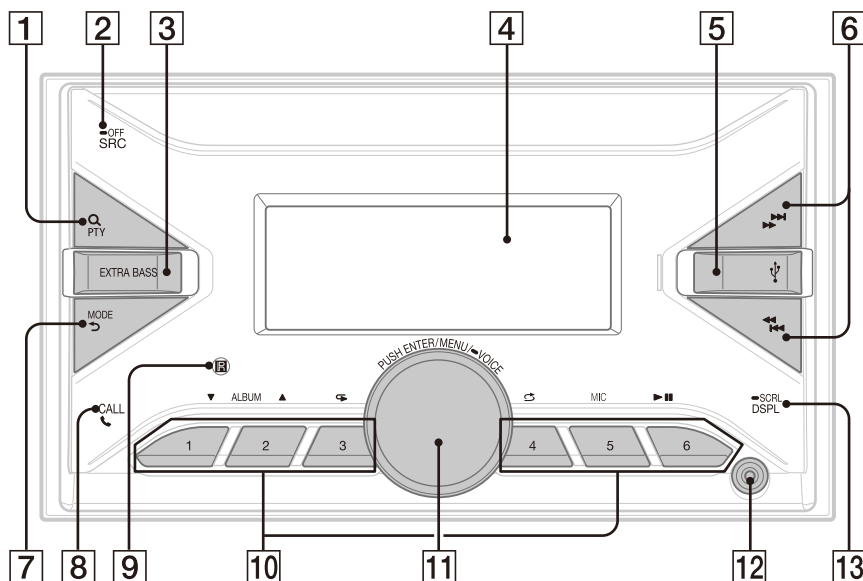
Denna BLUETOOTH-handsfree för bil och den elektroniska enheten som är ansluten till handsfree drivs via radiosignaler, mobila och fasta nätverk samt användarprogrammerad funktion, vilket inte kan garantera anslutning under alla förhållanden. Du bör därför inte enbart förlita dig på en elektronisk enhet för nödvändig kommunikation (t.ex. vid medicinska nödsituationer).

### Om BLUETOOTH-kommunikation

- Mikrovågor som sänds från en BLUETOOTH-enhet kan påverka funktionen hos elektronisk medicinsk utrustning. Stäng av denna enhet och andra BLUETOOTH-enheter på följande platser, eftersom det finns risk för att de orsakar olyckor.
  - Där lättantändlig gas förekommer: sjukhus, tåg, flygplan och bensinstationer
  - I närheten av automatiska dörrar och brandlarm
- Denna enhet klarar de säkerhetskrav som ingår i BLUETOOTH-standarden för att skapa en säker anslutning när trådlös BLUETOOTH-teknik används, men tänk på att inställningarna kan vara gjorda så att säkerheten inte räcker. Var försiktig vid kommunikation med trådlös BLUETOOTH-teknik.
- Vi kan inte hållas ansvariga för eventuell informationsläckage som uppstått under BLUETOOTH-kommunikation.

Om du har några frågor eller problem gällande denna enhet som inte tas upp i denna handbok ska du kontakta närmaste Sony-återförsäljare.

## Huvudenhet



- 1 Q (sök)**  
 Under uppspelning:  
 Aktiverar sökläget.  
 (Ej tillgängligt när en USB-enhet i Android™-läge eller en iPod ansluts.)  
**PTY (programtyp)**  
 Under FM-mottagning:  
 Väljer PTY i RDS.
- 2 SRC (källa)**  
 Slår på strömmen.  
 Ändrar källan.  
**OFF**  
 Håll intryckt i 1 sekund för att stänga av källan och visa klockan.  
 Håll intryckt i minst 2 sekunder för att stänga av strömmen och teckenfönstret.
- 3 EXTRA BASS**  
 Förstärker basljudet synkroniserat med volyminställningen.  
 Tryck för att ändra EXTRA BASS-inställningen: [1], [2], [OFF].
- 4 Teckenfönster**
- 5 USB-port**
- 6 (SEEK +/-)**  
 Under radiomottagning:  
 Ställer automatiskt in radiostationer.  
 Håll intryckt för manuell inställning.  
 **(föregående/nästa)**  
 **(snabbspolning bakåt/ snabbspolning framåt)**
- 7 MODE (tillbaka)**  
 Återgår till föregående visning.
- 8 CALL**   
 Aktiverar samtalsmenyn. Tar emot/avslutar ett samtal.  
 Håll intryckt i minst 2 sekunder för att växla BLUETOOTH-signalen.
- 9 Mottagare för fjärrkontrollen**
- 10 Sifferknappar (1 till 6)**  
 Tar emot förinställda radiostationer.  
 Håll intryckt för förinställning av stationer.  
**ALBUM**   
 Hoppa över ett album för ljudenheten.  
 Håll intryckt för att hoppa över flera album i följd.  
 (Ej tillgängligt när en USB-enhet i Android-läge eller en iPod ansluts.)

## ↶ (repetera)

(Ej tillgängligt när en USB-enhet i Android-läge ansluts.)

## ↷ (blanda)

(Ej tillgängligt när en USB-enhet i Android-läge ansluts.)

## MIC

### ▶▶ (uppspelning/paus)

#### 11 Kontrollratt

Justerar volymen.

#### PUSH ENTER

Bekräftar det valda alternativet.

Tryck på SRC, vrid och tryck sedan för att ändra källa (tidsbegränsning på 2 sekunder).

#### MENU

Inställningsmenyn öppnas.

#### ➡ VOICE

Håll intryckt i minst 2 sekunder för att aktivera röstuppringning, röstigenkänning (endast Android-smarttelefoner) eller Siri-funktionen (endast iPhone).

#### 12 AUX-ingång

#### 13 DSPL (teckenfönster)

Ändrar visningsalternativen.

#### ➡ SCRL (bläddra)

Håll intryckt för att bläddra bland visningsalternativ.

## Grundläggande funktioner

### Återställa enheten

Enheten måste återställas innan den används för första gången, efter att bilbatteriet bytts ut eller anslutningarna justerats.

#### 1 Håll DSPL och CALL intryckta i minst 2 sekunder.

#### Obs!

Genom att återställa enheten försvinner inställningen av klockan och visst innehåll som sparats.

### Ställa in område/region

När enheten har återställts visas inställningsskärmen för område/region.

- 1 Tryck på ENTER när [AREA] visas.  
Området/regionen som är inställd visas.
- 2 Vrid kontrollratten för att välja [EUROPE] eller [RUSSIA], tryck sedan på den.
- 3 Vrid kontrollratten för att välja [YES] eller [NO], tryck sedan på den.  
Om inställningen för område/region ändras återställs enheten och därefter visas klockan.

Denna inställning kan konfigureras i den allmänna inställningsmenyn.

---

## Koppla samman med en BLUETOOTH-enhet

När en BLUETOOTH-enhet ansluts för första gången krävs en ömsesidig registrering (som kallas "ihopparning"). Genom ihopparningen kan denna enhet och andra enheter känna igen varandra. Denna enhet kan ansluta två BLUETOOTH-enheter (två mobiltelefoner eller en mobiltelefon och en ljudenhet).



- 1 Tryck på MENU, vrid och tryck sedan på kontrollratten för att välja [BLUETOOTH] → [PAIRING] → [DEVICE 1]/[DEVICE 2]\*.

⊗ blinkar när enheten befinner sig i standbyläge för ihopparning.

\* [DEVICE 1] eller [DEVICE 2] ändras till namnet på ihoppardad enhet när ihopparningen är genomförd.

- 2 Utför ihopparning på BLUETOOTH-enheten för att identifiera denna enhet.
- 3 Välj namnet på din modell som visas i BLUETOOTH-enhetens teckenfönster\*.  
När ihopparningen är gjord lyser ⊗ med ett fast sken.

\* Om du måste ange en kodnyckel på BLUETOOTH-enheten anger du [0000].

---

## Avbryta demonstrationsläget

Du kan avbryta demonstrationsvisningen som visas när källan är av och klockan visas.

- 1 Tryck på MENU, vrid kontrollratten för att välja [GENERAL], tryck sedan på den.
- 2 Vrid kontrollratten för att välja [DEMO], tryck sedan på den.
- 3 Vrid kontrollratten för att välja [DEMO-OFF], tryck sedan på den.  
Inställningen är nu genomförd.
- 4 Tryck två gånger på ↶ (tillbaka).  
Teckenfönstret återgår till normalt mottagnings-/uppspelningsläge.

---

## Uppdatera den fasta programvaran

Se supportsidan på det bakre omslaget och följ sedan anvisningarna online för att uppdatera den fasta programvaran.

### Obs!

- Det krävs en USB-enhet (medföljer ej) för att uppdatera den fasta programvaran. Lagra uppdateringen på USB-enheten och anslut enheten till USB-porten. Utför sedan uppdateringsförfarandet.
- Det tar några minuter att uppdatera den fasta programvaran. Vrid inte tändningen till OFF-läget och ta inte bort USB-enheten när uppdateringen genomförs.

## Övrig information

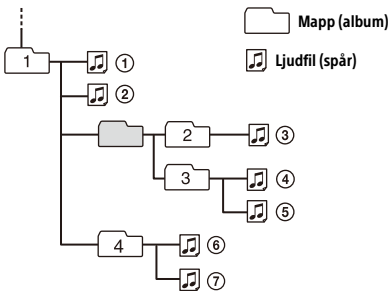
### Försiktighetsåtgärder

- Låt enheten först svalna om din bil står parkerad i direkt solljus.
- Lämna inte ljudenheter inuti bilen eftersom det kan orsaka funktionsstörningar på grund av höga temperaturer i direkt solljus.
- Antennen matas ut automatiskt.

### Behålla en hög ljudkvalitet

Undvik att skvätta vätska på enheten.

### Uppspelningsordning för ljudfiler



## Om iPod

- Du kan ansluta till följande iPod-modeller. Uppdatera dina iPod-enheter med den senaste programvaran innan användning.

Kompatibla iPhone/iPod-modeller

Kompatibel modell	Bluetooth®	USB
iPhone XR	✓	✓
iPhone Xs max	✓	✓
iPhone Xs	✓	✓
iPhone X	✓	✓
iPhone 8	✓	✓
iPhone 8 Plus	✓	✓
iPhone 7	✓	✓
iPhone 7 Plus	✓	✓
iPhone SE	✓	✓
iPhone 6s	✓	✓
iPhone 6s Plus	✓	✓
iPhone 6	✓	✓
iPhone 6 Plus	✓	✓
iPhone 5s	✓	✓
iPhone 5c	✓	✓
iPhone 5	✓	✓
iPhone 4s	✓	✓
iPod touch (6:e generationen)	✓	✓
iPod touch (5:e generationen)	✓	✓
iPod nano (7:e generationen)		✓

- Användning av "Made for Apple"-märket betyder att ett tillbehör har utformats för anslutning specifikt till Apple-produkter som identifieras på märket och har certifierats av utvecklaren att uppfylla Apples standarder vad gäller prestanda. Apple är inte ansvarig för enhetens funktion eller överensstämmelse med säkerhets- och myndighetsstandard.

Om detta tillbehör används med en Apple-produkt kan det påverka den trådlösa prestandan.

Om du har några frågor eller problem gällande denna enhet som inte tas upp i denna handbok ska du kontakta närmaste Sony-återförsäljare.

# Tekniska data

## Mottagardel

### FM

Inställningsfrekvens:

När [AREA] är inställt på [EUROPE]:  
87,5 MHz – 108,0 MHz

När [AREA] är inställt på [RUSSIA]:  
FM1/FM2: 87,5 MHz – 108,0 MHz  
(vid steg om 50 kHz)

FM3: 65 MHz – 74 MHz (vid steg om 30 kHz)

Användningskänslighet: 7 dBf

Signal-till-brus-förhållande: 73 dB

Separation: 50 dB vid 1 kHz

### AM/LW

Inställningsfrekvens:

531 kHz – 1 602 kHz (AM),  
153 kHz – 279 kHz (LW)

Känslighet:

AM: 26  $\mu$ V,  
LW: 50  $\mu$ V

## USB-spelardel

Gränssnitt: USB (full hastighet)

Maximal ström: 1 A

Maximalt antal identifierbara mappar och filer:

Mappar (album): 256

Filer (spår) per mapp: 256

Kompatibelt AOA-protokoll (Android Open  
Accessory): 2.0

Motsvarande kodec:

MP3 (.mp3)

Bithastighet: 8 kbps – 320 kbps (stöd för VBR  
(variabel bithastighet))

Samplingsfrekvens: 16 kHz – 48 kHz

WMA (.wma)

Bithastighet: 32 kbps – 192 kbps (stöd för VBR  
(variabel bithastighet))

Samplingsfrekvens: 32 kHz, 44,1 kHz, 48 kHz

AAC (.m4a, .mp4)

Bithastighet: 16 kbps – 320 kbps (stereo)

Samplingsfrekvens: 8 kHz – 48 kHz

FLAC (.flac)

Bitdjup: 16-bitars, 24-bitars

Samplingsfrekvens: 44,1 kHz, 48 kHz

Filsystem som stöds: FAT16, FAT32

## Trådlös kommunikation

Kommunikationssystem:

BLUETOOTH-standard version 3.0

Utgång:

BLUETOOTH-standard strömklass 2  
(Max. ledningsbunden +1 dBm)

Maximal kommunikationsräckvidd\*1:

Sträcka med fri sikta ca. 10 m

Frekvensband:

2,4 GHz-bandet (2,4000 GHz – 2,4835 GHz)

Modulationsmetod: FHSS

Kompatibla BLUETOOTH-profiler\*2:

A2DP (Advanced Audio Distribution Profile) 1.3

AVRCP (Audio Video Remote Control Profile) 1.3

HFP (Handsfree Profile) 1.6

PBAP (Phone Book Access Profile)

SPP (Serial Port Profile)

Motsvarande kodec:

SBC (.sbc), AAC (.m4a)

\*1 Den faktiska räckvidden varierar beroende på faktorer som hinder mellan enheter, magnetfält runt mikrovågsugnar, statisk elektricitet, mottagningskänslighet, antennens prestanda, operativsystem, programvara m.m.

\*2 BLUETOOTH-standardprofiler visar användningsområdet för BLUETOOTH-kommunikation mellan enheter.

## Förstärkardel

Utgång: högtalarutgångar

Högtalarimpedans: 4  $\Omega$  – 8  $\Omega$

Maximal uteffekt: 55 W  $\times$  4 (vid 4  $\Omega$ )

## Allmänt

Strömkrav: bilbatteri på 12 V DC (negativ jordning)

Märkströmförbrukning: 10 A

Mått:

Ca. 178 mm  $\times$  100 mm  $\times$  177 mm (b/h/d)

Monteringsmått:

Ca. 182 mm  $\times$  111 mm  $\times$  159 mm (b/h/d)

Vikt: Ca. 1,0 kg

Förpackningens innehåll:

Huvudenhet (1)

Delar för installation och anslutningar

(1 uppsättning)

Alternativa tillbehör/utrustning:

Kabel för fjärringång till ratt: RC-SR1

Be din återförsäljare om mer information.

Rätt till ändring av design och specifikationer förbehålles.

## Upphovsrätt

Märket Bluetooth® och dess logotyper är registrerade varumärken som tillhör Bluetooth SIG, Inc. och användning av sådana märken sker på licens från Sony Corporation. Andra varumärken och varunamn tillhör respektive ägare.

Windows Media är antingen ett registrerat varumärke eller ett varumärke som tillhör Microsoft Corporation i USA och/eller andra länder.

Denna produkt är skyddad av viss immateriell egendomsrätt som tillhör Microsoft Corporation. Användning eller distribution av sådan teknik utanför produkten är inte tillåten utan licens från Microsoft eller ett auktoriserat Microsoft-dotterbolag.

Apple, iPhone, iPod, iPod nano, iPod touch och Siri är varumärken som tillhör Apple Inc., registrerat i USA och i andra länder.

Android är ett varumärke som tillhör Google LLC.

### Försiktighet

- Dra alla jordade kablar till en gemensam jordningspunkt.
- Låt inte kablar fastna under en skruv eller i rörliga delar (t.ex. sätesräsen).
- För att undvika kortslutning måste du vrida av bilens tändning innan anslutningar görs.
- Anslut nätkablarna ② till enheten och högtalarna innan de ansluts till nätkontakten.
- Av säkerhetsskäl bör du isolera eventuella lösa kablar som inte ansluts med eltejp.
- Välj monteringsplatsen med omsorg så att inte enheten stör din normala körning.
- Undvik att installera enheten på platser där det finns mycket damm, smuts, kraftiga vibrationer eller höga temperaturer, t.ex. i direkt solljus eller i närheten av varmluftsutsläpp.
- Använd bara de medföljande fästena för en trygg och säker installation.

#### Notering gällande nätkabeln (gul)

När denna enhet ansluts tillsammans med andra stereokomponenter måste amperetalet för bilkretsen, som enheten är ansluten till, vara högre än summan för varje komponents säkringsstyrka.

#### Anmärkning om installation i bilar med start-stoppsystem

Enheten kan startas om när motorn startas via start-stoppsystemet. Stäng i sådana fall av bilens start-stoppsystem.

#### Justering av monteringsvinkel

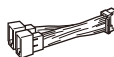
Justera monteringsvinkeln till mindre än 30°.

## Lista över delar för installation

① Monteringskruvar  
(5 × max. 8 mm) (4)



② Nätkabel (1)



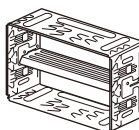
③ Mikrofon (1)



④ Dubbelsidig tejp (1)



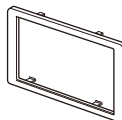
⑤ Monteringshylsa (1)



⑥ Frigöringsnycklar (2)



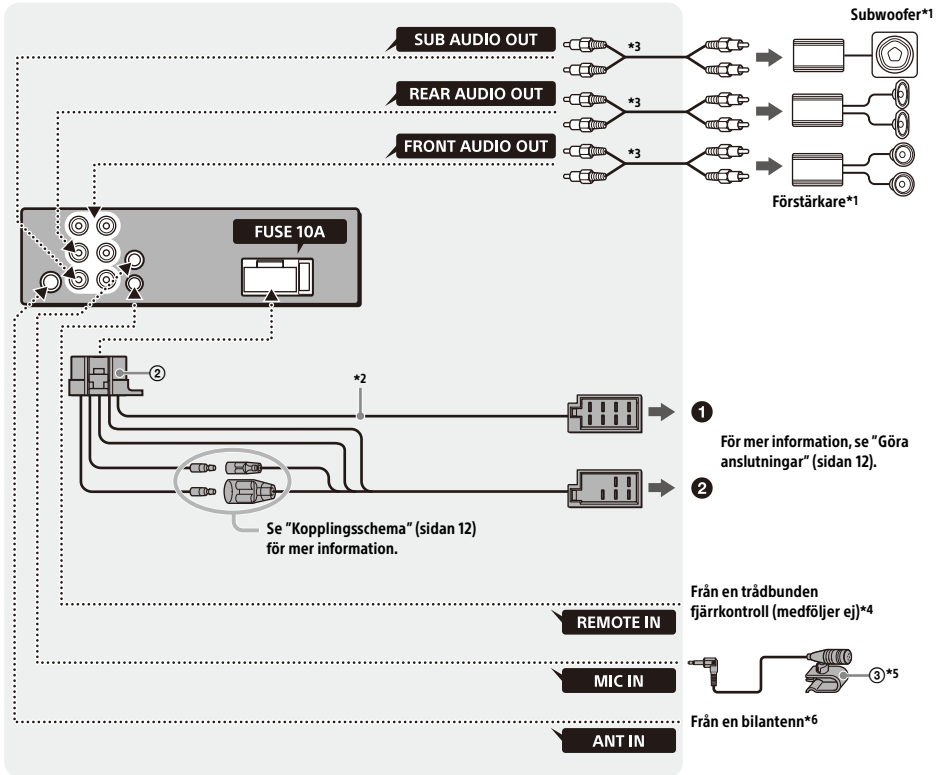
⑦ Avslutningslist (1)



- Denna lista över delar innehåller inte allt i förpackningen.
- Monteringshylsan ⑤ är monterad på enheten vid leverans. Använd frigöringsnycklarna ⑥ för att ta bort monteringshylsan ⑤ från enheten, innan enheten installeras. Mer information finns under "Ta bort monteringshylsan" (sidan 13).
- Behåll frigöringsnycklarna ⑥ för framtida användning eftersom de kommer att behövas om du monterar bort enheten från bilen.



# Anslutning



\*1 Medföljer ej

\*2 Högtalarimpedans: 4 Ω till 8 Ω × 4

\*3 RCA-stiftkabel (medföljer ej)

\*4 Använd en adapter för en trådbunden fjärrkontroll (medföljer ej) beroende på vilken typ av bil du har. Mer information om att använda trådbundna fjärrkontroll finns under "Använda den trådbundna fjärrkontrollen" (sidan 13).

\*5 Dra mikrofonskabeln så att den inte hindrar din körning, oavsett om den används eller inte. Fäst kabeln med t.ex. en klämma om den dras på golvet där du har fötterna.

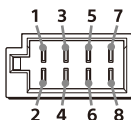
Mer information om att installera mikrofonen finns under "Installera mikrofonen" (sidan 13).

\*6 Använd en adapter (medföljer ej) om antennanslutningen inte passar, beroende på vilken typ av bil du har.

## Göra anslutningar

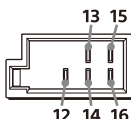
Om du har en antenn utan reläbox kan det hända att antennen skadas om du ansluter enheten via medföljande nätkablar ②.

### 1 Till bilens högtalaranslutning



1	Bakre högtalare (höger)	⊕	Lila
2		⊖	Lila-/svartrandig
3	Främre högtalare (höger)	⊕	Grå
4		⊖	Grå-/svartrandig
5	Främre högtalare (vänster)	⊕	Vit
6		⊖	Vit-/svartrandig
7	Bakre högtalare (vänster)	⊕	Grön
8		⊖	Grön-/svartrandig

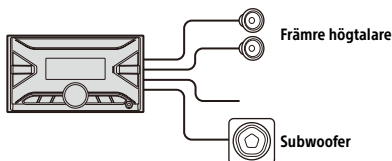
### 2 Till bilens nätkontakt



12	kontinuerlig strömförsörjning	Gul
13	antenn/ förstärkarkontroll (REM OUT)	Blå-/vitrandig
14	växlad strömförsörjning belysning	Orange-/vitrandig
15	växlad strömförsörjning	Röd
16	jordning	Svart

## Enkel anslutning av subwoofer

Du kan använda en subwoofer utan förstärkare när den är ansluten till en bakre högtalarkabel.



### Obs!

- Du måste förbereda bakre högtalarkablar.
- Använd en subwoofer med en impedans på 4 Ω till 8 Ω, och med tillräckligt hög krafthanteringskapacitet för att undvika skada.

## Minnesbehållningsanslutning

När den gula strömkabeln är ansluten kommer strömförsörjning alltid att ske till minneskretsen även när tändningen är avstängd.

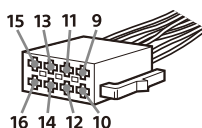
## Högtalaranslutning

- Stäng av enheten innan högtalarna ansluts.
- Använd högtalare med en impedans på 4 Ω till 8 Ω, och med tillräckligt hög krafthanteringskapacitet för att undvika skada.

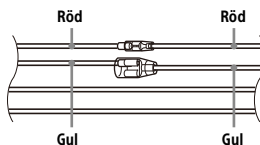
## Kopplingsschema

Kontrollera bilens nätkontakt och passa in kabelanslutningarna korrekt beroende på vilken bil du har.

### Nätkontakt

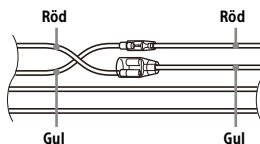


### Vanlig anslutning



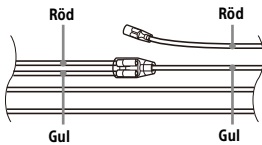
12	kontinuerlig strömförsörjning	Gul
15	växlad strömförsörjning	Röd

### När positionerna för röd och gul kabel kastas om



12	växlad strömförsörjning	Gul
15	kontinuerlig strömförsörjning	Röd

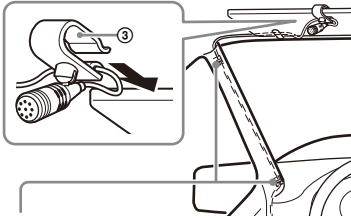
## Med bil utan ACC-läge



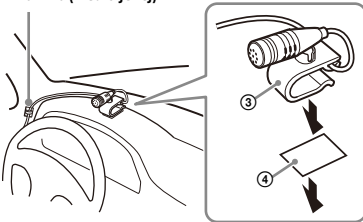
Anslut enheten till bilens strömförsörjning när du passat in kontakterna och växlade strömförsörjningskablar på rätt sätt. Om du har några frågor eller problem gällande denna enhet som inte tas upp i denna handbok ska du kontakta bilåterförsäljaren.

## Installera mikrofonen

Du måste installera mikrofonen för att fånga upp din röst vid handsfreesamtal ③.



Klämma (medföljer ej)



## Försiktighet

- Det är extremt farligt om kabeln viras runt rattstängeln eller växelspaken. Se till att inte kabeln och andra delar hindrar din körning.
- Kontakta affären där du köpte denna enhet eller bilåterförsäljaren före installation om det finns krockkuddar eller annan stötdämpande utrustning i din bil.

## Obs!

Rengör ytan på instrumentbrädan med en torr trasa innan du fäster den dubbelsidiga tejpens ④.

## Använda den trådbundna fjärrkontrollen

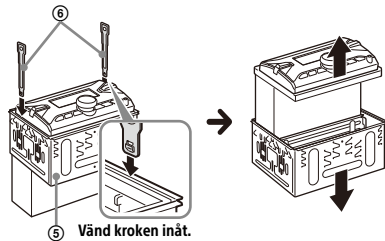
- 1 För att aktivera den trådbundna fjärrkontrollen ställer du in [STR CONTROL] under [STEERING] på [PRESET].

## Installation

### Ta bort monteringshylsan

Ta bort monteringshylsan ⑤ från enheten innan enheten installeras.

- 1 Sätt i de båda frigöringsnycklarna ⑥ tills de klickar på plats och dra ner monteringshylsan ⑤, dra sedan upp enheten för att separera.



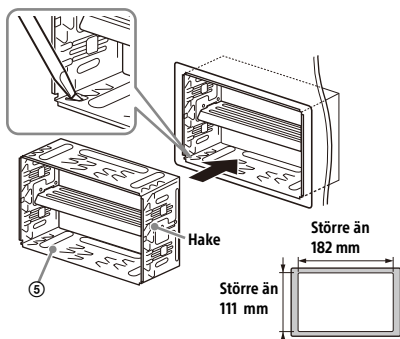
## Montera enheten på instrumentbrädan

För japanska bilar, se "Montera enheten i en japansk bil" (sidan 14).

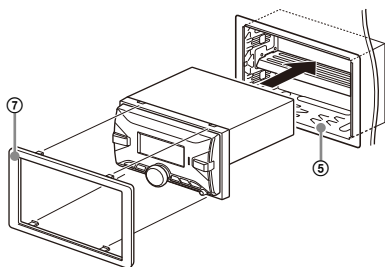
## Montera enheten med den medföljande monteringshylsan

Se till att hakarna på båda sidorna om monteringshylsan ⑤ är böjda inåt 3,5 mm, innan installationen sker.

- 1 Placera monteringshylsan ⑤ inuti instrumentbrädan, böj sedan klorna utåt för en snäv passform.



- 2 Montera enheten på monteringshylsan ⑤.

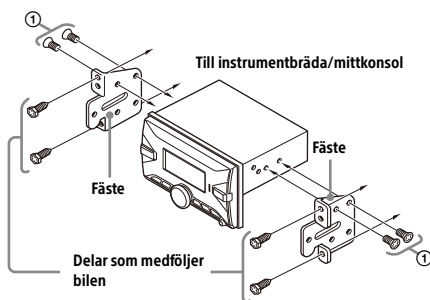


### Obs!

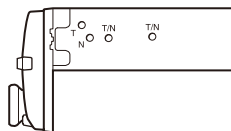
Om hakarna är raka eller böjda utåt går det inte att montera enheten på ett säkert sätt och den kan fjädra ur sin position.

## Montera enheten i en japansk bil

Det kan hända att enheten inte går att installera i vissa japanska bilmärken. Kontakta i sådana fall din Sony-återförsäljare.



När denna enhet monteras i bilens förinstallerade fästena använder du monteringskruvarna ① i lämpliga skruvhål beroende på vilken bil du har: T för TOYOTA och N för NISSAN.



### Obs!

Montera endast med monteringskruvarna ①, för att undvika funktionsfel.

## Återställa enheten

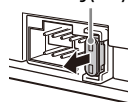
För mer information, se "Återställa enheten" (sidan 5).

## Byte av säkring

Se till att använda en säkring som stämmer med det amperetal som står på den ursprungliga säkringen, när du byter säkring.

Om säkringen skjuter, kontrollera strömanslutningen och byt säkringen. Om säkringen skjuter igen efter bytet kan det hända att det är ett invändigt fel. Kontakta i sådana fall din närmaste Sony-återförsäljare.

### Säkring (10 A)







### Български

С настоящото, Sony Corporation декларира, че това оборудване е в съответствие с Директива 2014/53/EU.

Цялостният текст на ЕС декларацията за съответствие може да се намери на следния интернет адрес:

<https://compliance.sony.eu>

### Hrvatski

Sony Corporation ovime izjavljuje da je ova oprema u skladu s Direktivom 2014/53/EU.

Cjeloviti tekst EU izjave o sukladnosti dostupan je na sljedećoj internetskoj adresi:

<https://compliance.sony.eu>

### Česky

Sony Corporation tímto prohlašuje, že toto zařízení je v souladu se směrnicí 2014/53/EU.

Úplné znění EU prohlášení o shodě je k dispozici na této internetové adrese:

<https://compliance.sony.eu>

### Dansk

Herved erklærer Sony Corporation, at dette udstyr er i overensstemmelse med direktiv 2014/53/EU. Den fulde ordlyd af EU-overensstemmelseserklæringen er tilgængelig på følgende internetadresse:

<https://compliance.sony.eu>

### Nederlands

Hierbij verklaart Sony Corporation dat deze radioapparatuur conform is met Richtlijn 2014/53/EU. De volledige tekst van de EU-conformiteitsverklaring kan worden geraadpleegd op het volgende internetadres:

<https://compliance.sony.eu>

### English

Hereby, Sony Corporation declares that this equipment is in compliance with Directive 2014/53/EU.

The full text of the EU declaration of conformity is available at the following internet address:

<https://compliance.sony.eu>

### Eesti keel

Käesolevaga deklareerib Sony Corporation, et käesolev seade vastab direktiivi 2014/53/EL nõuetele.

ELi vastavusdeklaratsiooni täielik tekst on kättesaadav järgmisel internetiaadressil:

<https://compliance.sony.eu>

### Suomi

Sony Corporation vakuuttaa, että tämä laite on direktiivin 2014/53/EU mukainen.

EU-vaatimustenmukaisuusvakuutuksen täysimittainen teksti on saatavilla seuraavassa internetosoitteessa:

<https://compliance.sony.eu>

### Français

Le soussigné, Sony Corporation, déclare que cet équipement est conforme à la Directive 2014/53/UE.

Le texte complet de la déclaration UE de conformité est disponible à l'adresse internet suivante :

<https://compliance.sony.eu>

### Deutsch

Hiermit erkläre Sony Corporation, dass diese Funkanlage der Richtlinie 2014/53/EU entspricht.

Der vollständige Text der EU-Konformitätserklärung ist unter der folgenden Internetadresse verfügbar:

<https://compliance.sony.eu>

### Ελληνικά

Με την παρούσα Sony Corporation δηλώνει ότι, αυτή η συσκευή πληροί τους όρους της οδηγίας 2014/53/EU.

Το πλήρες κείμενο της δήλωσης συμμόρφωσης ΕΕ διατίθεται στην ακόλουθη ιστοσελίδα στο διαδίκτυο:

<https://compliance.sony.eu>

### Magyar

A Sony Corporation igazolja, hogy ez a készülék megfelel a 2014/53/EU irányelvnek.

Az EU-megfelelőségi nyilatkozat teljes szövege elérhető a következő internetes címen:

<https://compliance.sony.eu>

### Italiano

Con la presente, Sony Corporation dichiara che questo apparecchio è conforme alla Direttiva 2014/53/UE.

Il testo completo della dichiarazione di conformità UE è disponibile al seguente indirizzo Internet:

<https://compliance.sony.eu>

### Latviešu

Ar šo Sony Corporation deklarē, ka šī iekārta atbilst direktīvai 2014/53/ES.

Pilns ES atbilstības deklarācijas teksts ir pieejams šādā interneta vietnē:

<https://compliance.sony.eu>

### Lietuvių kalba

Mes, Sony Corporation, patvirtiname, kad šis įrenginys atitinka direktyvą 2014/53/ES.

Visas ES atitikties deklaracijos tekstas pasiekiamas šiuo internetiniu adresu:

<https://compliance.sony.eu>

### Norsk

Herved erklærer Sony Corporation at utstyret er i samsvar med direktiv 2014/53/EU.

EU-erklæring fulltekst finner du på Internett under:  
<https://compliance.sony.eu>

### Polski

Sony Corporation niniejszym oświadcza, że to urządzenie jest zgodne z dyrektywą 2014/53/UE. Pełny tekst deklaracji zgodności UE jest dostępny pod następującym adresem internetowym:

<https://compliance.sony.eu>

### Português

O(a) abaixo assinado(a) Sony Corporation declara que o presente equipamento está em conformidade com a Diretiva 2014/53/UE.

O texto integral da declaração de conformidade está disponível no seguinte endereço de Internet:

<https://compliance.sony.eu>

### Română

Prin prezenta, Sony Corporation declară că acest echipament este în conformitate cu Directiva 2014/53/UE.

Textul integral al declarației UE de conformitate este disponibil la următoarea adresă internet:

<https://compliance.sony.eu>

### Slovenščina

Sony Corporation potrjuje, da je ta oprema skladna z Direktivo 2014/53/EU.

Celotno besedilo izjave EU o skladnosti je na voljo na naslednjem spletnem naslovu:

<https://compliance.sony.eu>

### Slovensky

Sony Corporation týmto vyhlasuje, že zariadenie je v súlade so smernicou 2014/53/EU.

Úplné vyhlásenie EU o zhode je k dispozícii na tejto internetovej adrese:

<https://compliance.sony.eu>

### Español

Por la presente, Sony Corporation declara que este equipo es conforme con la Directiva 2014/53/UE.

El texto completo de la declaración UE de conformidad está disponible en la dirección Internet siguiente:

<https://compliance.sony.eu>

### Svenska

Härmed försäkrar Sony Corporation att denna utrustning överensstämmer med direktiv 2014/53/EU.

Den fullständiga texten till EU-försäkran om överensstämmelse finns på följande webbadress:

<https://compliance.sony.eu>

### Türkçe

Sony Corporation bu ekipmanın 2014/53/AB Direktifine uygun olduğunu işbu belge ile beyan eder.

AB uygunluk beyanının tam metni aşağıdaki internet adresinden edinilebilir:

<https://compliance.sony.eu>

### Shqip

Me anë të këtij dokumenti, Sony Corporation deklaroi se kjo pajisje është në pajtueshmëri me Direktivën 2014/53/BE.

Teksti i plotë i deklarimit së pajtueshmërisë së BE-së disponohet në adresën e mëposhtme të të internetit:  
<https://compliance.sony.eu>

### Македонски

Со овој документ, Sony Corporation изјавува дека оваа опрема е во согласност со Директивата 2014/53/EU.

Целосниот текст на Изјавата за сообразност на ЕУ е достапен на следнава адреса на интернет:

<https://compliance.sony.eu>

### Srpski

Sony Corporation ovim izjavljuje da je ova oprema u skladu sa direktivom 2014/53/EU.

Kompletan tekst EU izjave o uskladenosti je dostupan na sledećoj internet adresi:

<https://compliance.sony.eu>

### Support site

If you have any questions or for the latest support information on this product, please visit the web site below:

#### Support-Website

Wenn Sie Fragen haben oder die neuesten Support-Informationen zu diesem Produkt abrufen möchten, rufen Sie bitte folgende Website auf:

#### Ondersteuningssite

Als u vragen hebt of de recentste ondersteuninginformatie over dit product wilt hebben, gaat u naar de onderstaande website:

### Site d'assistance

Si vous avez des questions ou si vous souhaitez consulter les toutes dernières informations techniques sur ce produit, rendez-vous sur le site Web suivant :

#### Sitio Web de soporte técnico en línea

Para resolver cualquier duda u obtener la información más reciente sobre el soporte técnico de este producto, visite el siguiente sitio Web:

#### Supportsida

Om du har några frågor eller för den senaste supportinformationen om denna produkt, se webbplatsen nedan:

<https://www.sony.eu/support>

Register your product online now at:  
Registrieren Sie Ihr Produkt jetzt bei:  
Registreer uw product nu online via:

Merci d'enregister votre produit en ligne sur :  
Registre su producto online en:  
Registrera din produkt online nu på:

<https://www.sony.eu/mysony>

### Help Guide (online manual)

For more details, please visit the following web site and refer to your unit name as shown below.

#### Hilfe (Online-Anleitung)

Weitere Einzelheiten finden Sie auf folgender Website. Schlagen Sie dort unter dem Namen für Ihr Gerät nach, der unten aufgeführt ist.

#### Helpgids (onlinehandleiding)

Ga voor meer details naar de volgende website en vermeld uw apparaatnaam zoals hieronder weergegeven.

### Guide d'aide (manuel en ligne)

Pour plus d'informations, veuillez visiter le site Web suivant et référez-vous au nom de votre unité comme indiqué ci-dessous.

#### Guía de ayuda (manual online)

Para obtener más información, visite el siguiente sitio web y busque el nombre de su unidad tal y como se indica a continuación.

#### Hjälpguide (handbok på Internet)

För att få mer information kan du besöka följande webbplats och se ditt enhetsnamn som visas nedan.



DSX-B700(EUR)

[https://rd1.sony.net/help/ev/dsx-b7071/h\\_zz/](https://rd1.sony.net/help/ev/dsx-b7071/h_zz/)

Made for

 iPhone | iPod

 **Bluetooth**<sup>®</sup>