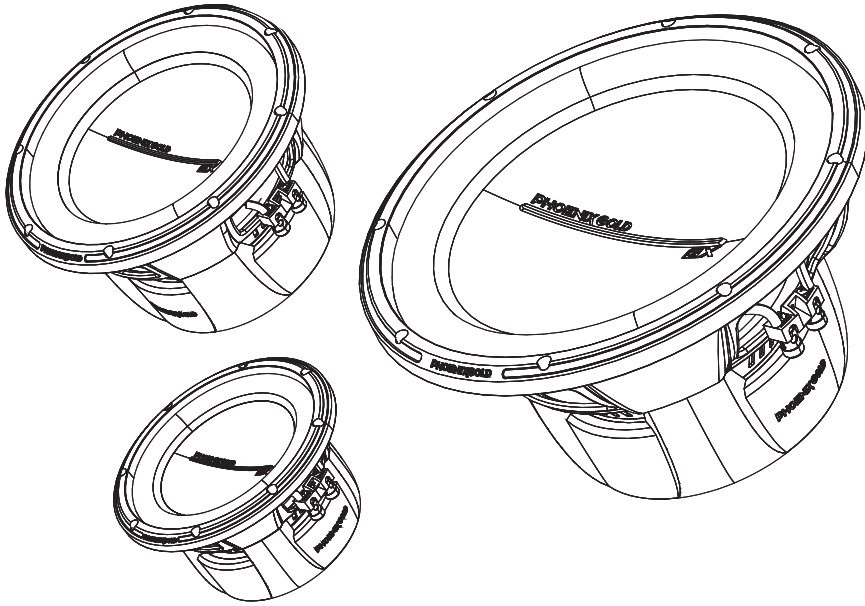


PHOENIX GOLD



GX Series Subwoofers

Models: GX12 - GX10 - GX8

FEATURES

Dual Cone Design- to strengthen the rigidity of the woofer's cone body to minimize the distortion while increasing the handling of high pressure produced in the subwoofer enclosure

CFL³ Voice Coil- 3x more structurally rigid, prolonging the life of voice coil

Magnetic FEA High Efficiency Motor- provides highest possible, efficient motor design

Vented Frame & Motor- provides better thermal efficiency, reduces motor compression and extended low frequency response

MLB Collar- enables micro level bonding with cone & spider for increased strength

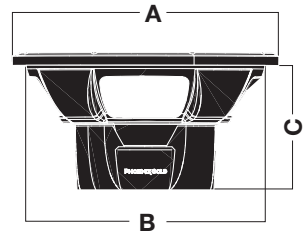
Dual Twisted Sleeved Leads- reduces wire roping and allows high excursion, increased flexibility and long life

BEEF'ed Up- Bent Edge Enhanced Frame- minimizes overall resonance and provides accurate sound with less distortion

GX
series

GX12D2 / GX12D4

SPECIFICATION	GX12D2	GX12D4
Nominal Impedance (Z)	1.85 ohms	3.50 ohms
DC Resistance (Re)	3.70 ohms	7.00 ohms
Resonance Frequency (Fs)	21.23 Hz	21.80 Hz
Piston Area (Sd)	0.0499 m ²	0.0499 m ²
Force Factor (BL)	17.35 Tm	20.77 Tm
Mechanical Q Factor (Qms)	3.63	3.25
Electrical Q Factor (Qes)	0.30	0.34
Total Q Factor (Qts)	0.27	0.31
Sensitivity 1W/M (SPL)	87.44 dB	87.72 dB
Mechanical Compliance (Cms)	0.31 mm/N	0.35 mm/N
Moving Mass (Mms)	180.89 g	152.42 g
Linear Excursion (Xmax)	9 mm	9 mm
Volume Acoustic Compliance (Vas)	107.90 Ltr 3.81 cu ft	121.48 Ltr 4.29 cu ft
Reference Efficiency (NO.)	0.33%	0.36%
Nominal Power (Pe)	400 Watts	400 Watts
Peak Power	800 Watts	800 Watts
Frequency Response	30-500 Hz	30-500 Hz
Voice Coil Diameter	2.5in/63.5mm	2.5in/63.5mm
Displacement	0.10 cu ft/2.72 Ltr	0.10 cu ft/2.72 Ltr
Overall Diameter (A)	12.50in/317.50mm	12.50in/317.50mm
Cut Out Diameter (B)	11.25in/285.75mm	11.25in/285.75mm
Mounting Depth (C)	6.26in/159mm	6.26in/159mm

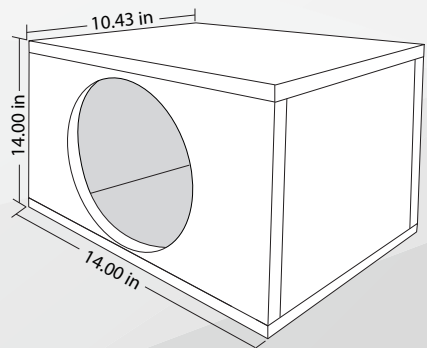


Enclosure Recommendations

Speaker and port displacement are already taken into account for recommended enclosures

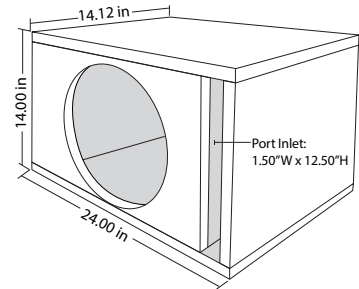
Sealed Enclosure	
Box External Dimensions	14.00" x 14.00" x 10.43"
Material Thickness	0.75"
Net Internal Volume	.71 cu ft
Qtc	0.70

Detail	Size	Quantity
Top/Bottom	14.00" x 10.43"	2
Front/Rear	14.00" x 12.50"	2
Left/Right	8.94" x 12.50"	2

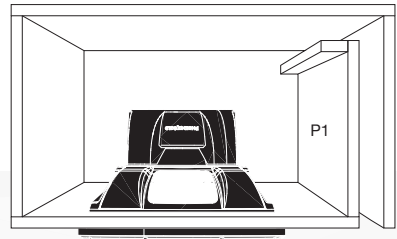


Slot Ported Enclosure

Box External Dimensions	24.00" x 14.00" x 14.12"
Material Thickness	0.75"
Net Internal Volume	1.75 cu ft
Tuning Frequency	37Hz
Port Area	18.75 inch ²
Port Inlet (WxH)	1.50" x 12.50"
Port Length	17.43"

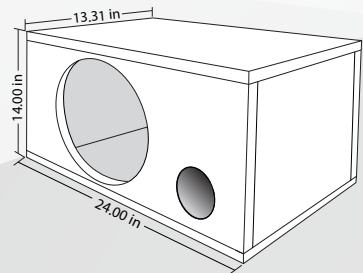


Detail	Size	Quantity
Top/Bottom	24.00" x 14.12"	2
Front	21.75" x 12.50"	1
Rear	24.00" x 12.50"	1
Left	12.63" x 12.50"	1
Right	13.37" x 12.50"	1
Port 1	11.13" x 12.50"	1
Port 2	3.30" x 12.50"	1

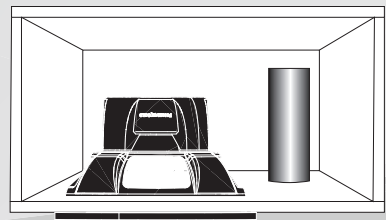


Round Ported Enclosure

Box External Dimensions	24.00" x 14.00" x 13.31"
Material Thickness	0.75"
Net Internal Volume	1.75 cu ft
Tuning Frequency	37Hz
Port Area	12.56 inch ²
Port Diameter	4.00"
Port Length	11.28"

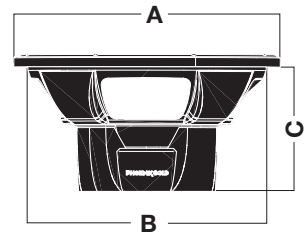


Detail	Size	Quantity
Top/Bottom	24.00" x 13.31"	2
Front/Rear	24.00" x 12.50"	2
Left/Right	11.82" x 12.50"	2



GX10D2 / GX10D4

SPECIFICATION	GX10D2	GX10D4
Nominal Impedance (Z)	1.85 ohms	3.50 ohms
DC Resistance (Re)	3.70 ohms	7.00 ohms
Resonance Frequency (Fs)	24.87 Hz	27.53 Hz
Piston Area (Sd)	0.0314 m ²	0.0314 m ²
Force Factor (BL)	16.97 Tm	21.04 Tm
Mechanical Q Factor (Qms)	3.71	3.47
Electrical Q Factor (Qes)	0.26	0.30
Total Q Factor (Qts)	0.24	0.27
Sensitivity 1W/M (SPL)	86.13 dB	86.78 dB
Mechanical Compliance (Cms)	0.32 mm/N	0.31 mm/N
Moving Mass (Mms)	129.70 g	108.37 g
Linear Excursion (Xmax)	9 mm	9 mm
Volume Acoustic Compliance (Vas)	43.52 Ltr 1.54 cu ft	42.50 Ltr 1.50 cu ft
Reference Efficiency (NO.)	0.25%	0.29%
Nominal Power (Pe)	400 Watts	400 Watts
Peak Power	800 Watts	800 Watts
Frequency Response	30-500 Hz	30-500 Hz
Voice Coil Diameter	2.5in/63.5mm	2.5in/63.5mm
Displacement	0.07 cu ft/1.84 Ltr	0.07 cu ft/1.84 Ltr
Overall Diameter (A)	10.43in/265mm	10.43in/265mm
Cut Out Diameter (B)	9.125in/231.77mm	9.125in/231.77mm
Mounting Depth (C)	5.47in/139mm	5.47in/139mm

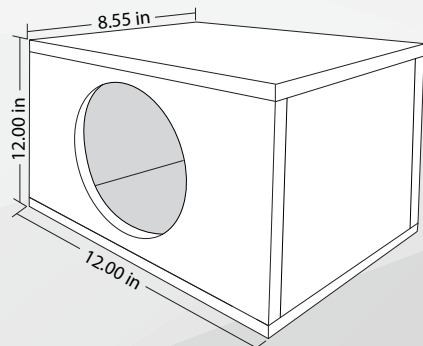


Enclosure Recommendations

Speaker and port displacement are already taken into account for recommended enclosures

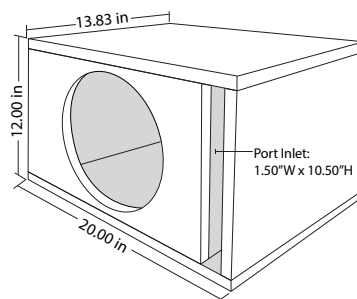
Sealed Enclosure	
Box External Dimensions	12.00" x 12.00" x 8.55"
Material Thickness	0.75"
Net Internal Volume	.40 cu ft
Qtc	0.56

Detail	Size	Quantity
Top/Bottom	12.00" x 8.85"	2
Front/Rear	12.00" x 10.50"	2
Left/Right	7.35" x 10.50"	2

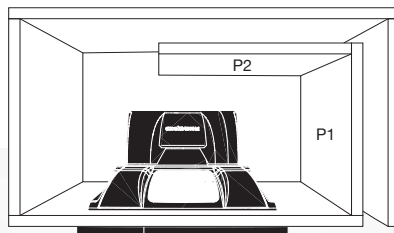


Slot Ported Enclosure

Box External Dimensions	20.00" x 12.00" x 13.83"
Material Thickness	0.75"
Net Internal Volume	1.00 cu ft
Tuning Frequency	37Hz
Port Area	15.75 inch ²
Port Inlet (WxH)	1.50" x 10.50"
Port Length	26.16"

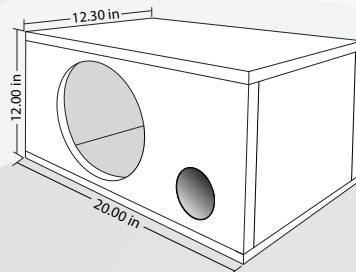


Detail	Size	Quantity
Top/Bottom	20.00" x 13.83"	2
Front	17.75" x 10.50"	1
Rear	20.00" x 10.50"	1
Left	12.33" x 10.50"	1
Right	13.08" x 10.50"	1
Port 1	10.83" x 10.50"	1
Port 2	12.33" x 10.50"	1
Port	9.82" x 10.50"	1

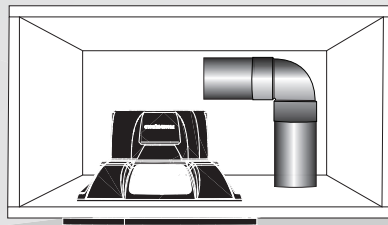


Round Ported Enclosure

Box External Dimensions	20.00" x 12.00" x 12.30"
Material Thickness	0.75"
Net Internal Volume	1.00 cu ft
Tuning Frequency	37Hz
Port Area	12.56 inch ²
Port Diameter	4.00"
Port Length	21.71"

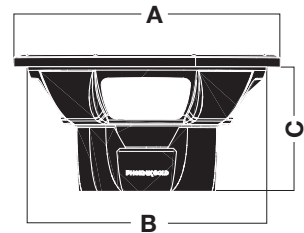


Detail	Size	Quantity
Top/Bottom	20.00" x 12.30"	2
Front/Rear	20.00" x 10.50"	2
Left/Right	10.81" x 10.50"	2



GX8D2 / GX8D4

SPECIFICATION	GX8D2	GX8D4
Nominal Impedance (Z)	1.85 ohms	3.50 ohms
DC Resistance (Re)	3.70 ohms	7.00 ohms
Resonance Frequency (Fs)	31.88 Hz	32.37 Hz
Piston Area (Sd)	0.0206 m ²	0.0206 m ²
Force Factor (BL)	13.83 Tm	17.40 Tm
Mechanical Q Factor (Qms)	4.01	3.68
Electrical Q Factor (Qes)	0.32	0.35
Total Q Factor (Qts)	0.30	0.32
Sensitivity 1W/M (SPL)	84.61 dB	84.83 dB
Mechanical Compliance (Cms)	0.30 mm/N	0.33 mm/N
Moving Mass (Mms)	82.57 g	73.57 g
Linear Excursion (Xmax)	8 mm	8 mm
Volume Acoustic Compliance (Vas)	17.90 Ltr 0.63 cu ft	19.50 Ltr 0.69 cu ft
Reference Efficiency (NO.)	0.17%	0.18%
Nominal Power (Pe)	200 Watts	200 Watts
Peak Power	400 Watts	400 Watts
Frequency Response	30-500 Hz	30-500 Hz
Voice Coil Diameter	2in/50.8mm	2in/50.8mm
Displacement	0.05 cu ft/1.44 Ltr	.05 cu ft/1.44 Ltr
Overall Diameter (A)	8.39in/213mm	8.39in/213mm
Cut Out Diameter (B)	7.25in/184.15mm	7.25in/184.15mm
Mounting Depth (C)	4.21in/107mm	4.21in/107mm

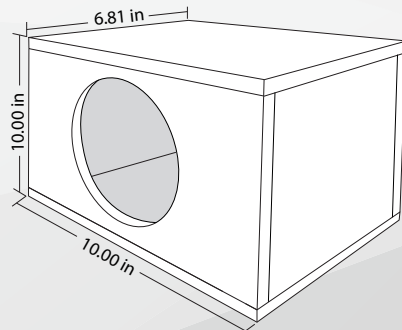


Enclosure Recommendations

Speaker and port displacement are already taken into account for recommended enclosures

Sealed Enclosure

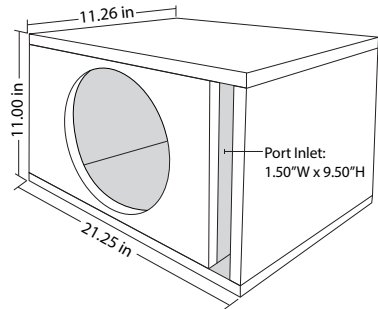
Box External Dimensions	10.00" x 10.00" x 6.81"
Material Thickness	0.75"
Net Internal Volume	.17 cu ft
Qtc	0.71



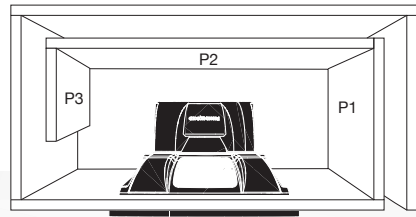
Detail	Size	Quantity
Top/Bottom	10.00" x 6.81"	2
Front/Rear	10.00" x 8.50"	2
Left/Right	5.31" x 8.50"	2

Slot Ported Enclosure

Box External Dimensions	21.25" x 11.00" x 11.26"
Material Thickness	0.75"
Net Internal Volume	.50 cu ft
Tuning Frequency	45Hz
Port Area	14.25 inch ²
Port Inlet (WxH)	1.5" x 9.50"
Port Length	34.01"

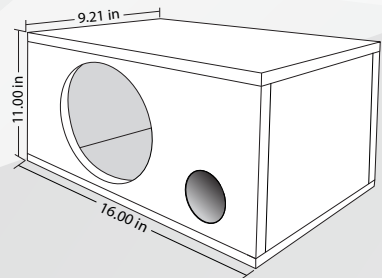


Detail	Size	Quantity
Top/Bottom	21.25" x 11.26"	2
Front	19.00" x 9.50"	1
Rear	21.25" x 9.50"	1
Left	9.76" x 9.50"	1
Right	10.51" x 9.50"	1
Port 1	8.26" x 9.50"	1
Port 2	16.00" x 9.50"	1
Port 3	4.50" x 9.50"	1

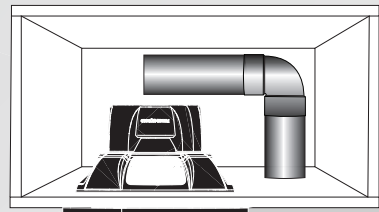


Round Ported Enclosure

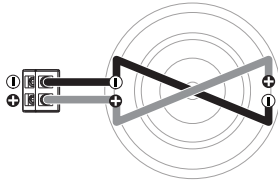
Box External Dimensions	16.00" x 11.00" x 9.21"
Material Thickness	0.75"
Net Internal Volume	.50 cu ft
Tuning Frequency	45Hz
Port Area	7.06 inch ²
Port Diameter	3.00"
Port Length	15.79"



Detail	Size	Quantity
Top/Bottom	16.00" x 9.21"	2
Front/Rear	16.00" x 9.50"	2
Left/Right	7.72" x 9.50"	2

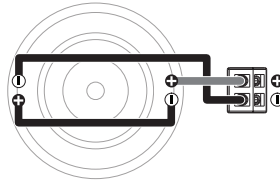


SINGLE SUBWOOFER SYSTEM
WIRED IN PARALLEL



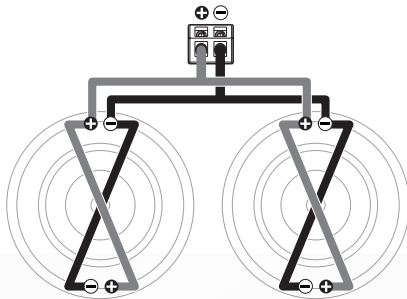
GX12D2 / GX10D2 / GX8D2 = 1 OHM
GX12D4 / GX10D4 / GX8D4 = 2 OHM

SINGLE SUBWOOFER SYSTEM
WIRED IN SERIES



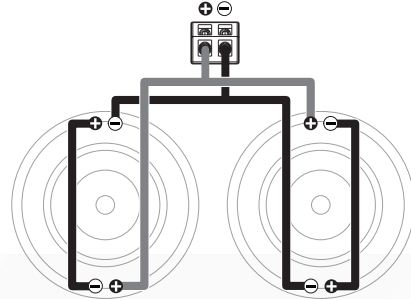
GX12D2 / GX10D2 / GX8D2 = 4 OHM
GX12D4 / GX10D4 / GX8D4 = 8 OHM

DUAL SUBWOOFER SYSTEM
WIRED IN PARALLEL



GX12D2 / GX10D2 / GX8D2 = 1/2 OHM
GX12D4 / GX10D4 / GX8D4 = 1 OHM

DUAL SUBWOOFER SYSTEM
WIRED IN SERIES - PARALLEL



GX12D2 / GX10D2 / GX8D2 = 2 OHM
GX12D4 / GX10D4 / GX8D4 = 4 OHM

Phoenix Gold Product Warranty

LIMITED WARRANTY ON SUBWOOFERS

Phoenix Gold warrants this product to be free of defects in materials and workmanship for a period of one (1) years from the original date of purchase. This warranty is not transferable and applies only to the original purchaser from an authorized Phoenix Gold dealer in the United States of America only. Should service be necessary under this warranty for any reason due to manufacturing defect or malfunction, Phoenix Gold will (at its discretion), repair or replace the defective product with new or remanufactured product at no charge. Damage caused by the following is not covered under warranty: accident, misuse, abuse, burnt voice coils, used as door stops, salad bowls or hats, product modification or neglect, failure to follow installation instructions, unauthorized repair attempts, misrepresentations by the seller. This warranty does not cover incidental or consequential damages and does not cover the cost of removing or reinstalling the unit(s). Cosmetic damage due to accident or normal wear and tear is not covered under warranty.

INTERNATIONAL WARRANTIES:

Products purchased outside the United States of America are covered only by that country's Authorized Phoenix Gold reseller and not by Phoenix Gold. Consumers needing service or warranty information for these products must contact that country's reseller for information.

Phoenix Gold is a Power Brand of AAMP Global
15500 Lightwave Drive, Suite 202
Clearwater, Florida 33760
P: 866-788-4237
info@phoenixgold.com